



# PARTS LIST

SML-PLOW

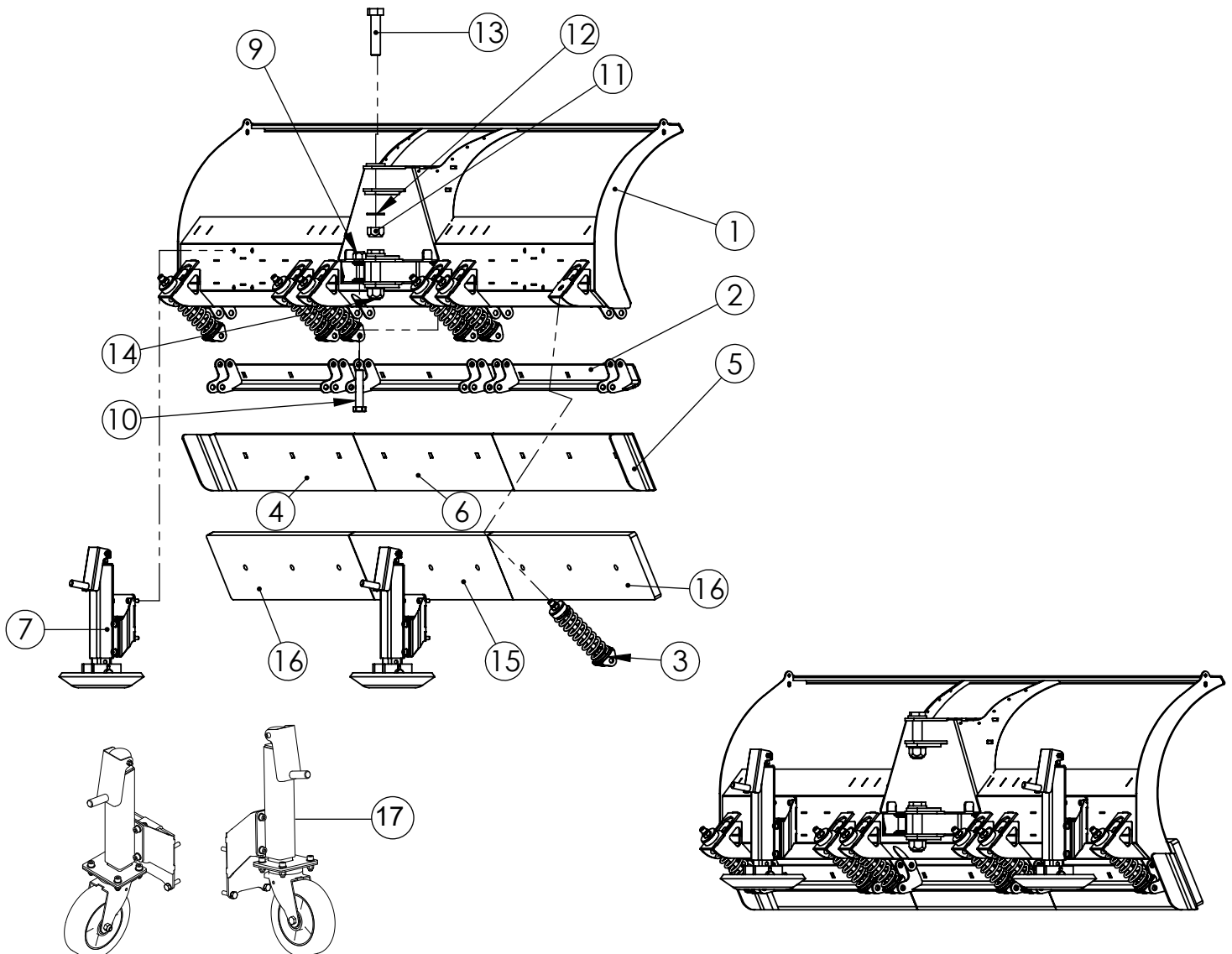
BLADE ASSEMBLY.....	2
LIFT FRAME ASSEMBLY - COMPLETE.....	3
LIFT FRAME ASSEMBLY.....	4
POWER UNIT ASSEMBLY.....	5
HYDRAULICS.....	6
HYDRAULIC MANIFOLD ASSEMBLY 24V.....	7
HYDRAULIC MANIFOLD ASSEMBLY 12V.....	8
PLOW SHOE ASSEMBLY.....	9
PLOW WHEEL ASSEMBLY.....	9
JOYSTICK.....	10
HARNESSES.....	10
CONNECTORS.....	11

This manual replaces all editions with an earlier date.

# BLADE ASSEMBLY

\*ssm = see specific model

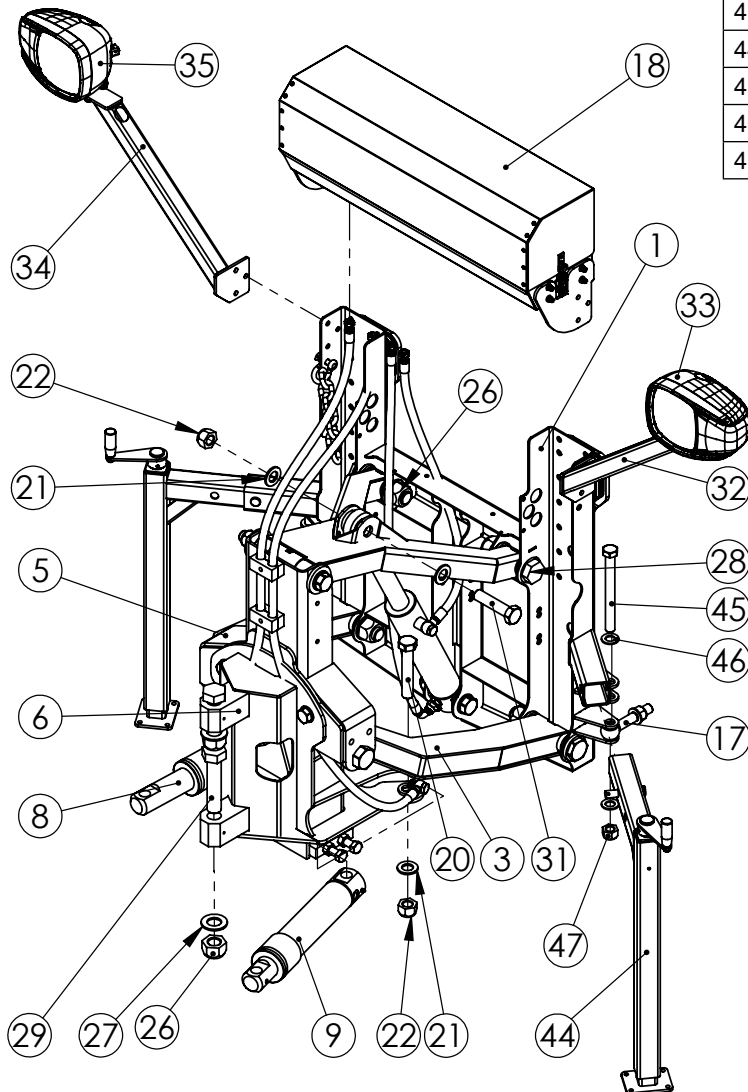
Item	Qty	Part no.	2600 SML	2750 SML	3000 SML	Description	Notes
1	1	ssm*	H26164	H25594	H26151	Welded blade	
2	3	ssm*	H26166	H25591	H26156	Scraper bracket	
3	6	H25588				Spring assembly	
4	1	ssm*	H26168	H25613	H26158	Steel cutting edge left	
5	1	ssm*	H26169	H25615	H26159	Steel cutting edge right	
6	1	H25614				Steel cutting edge center	
7	2	H25770				Plow shoe assembly	See page 9
8	2	HF15383				Washer DIN 125 M24 Zn Hv300	
9	2	HF10508				Locknut DIN 985 M24	
10	2	HF12520				Bolt M24x120 DIN 931 8.8 ZN	
11	2	HF15088				Locknut DIN985 8.8Zn M30	
12	2	HF15385				Washer DIN 125 Zn Hv300 M30	
13	1	HF12552				Bolt M30x130 DIN931 8.8 Zn	
14	1	HF12553				Bolt M30x140 DIN931 8.8 Zn	
15	1	H26127				Polyurethane cutting edge center	
16	2	ssm*	H26170	H26128	H26160	Polyurethane cutting edge	
17	2	H25771				Plow wheel assembly	See page 9



# LIFT FRAME ASSEMBLY - COMPLETE

Item	Qty	Part no.	Description
1	1	H26057	Frame
2	1	H26068	Top Y linkage
3	1	H25556	Lower arm left
4	1	H25560	Lower arm right
5	1	H25561	Tower
6	1	H25572	Tilt Frame
7	1	H25617	Lift cylinder MWL
8	1	H25616	Angel Cylinder
9	1	H25616	Angel Cylinder
10	6	H25620	Hook distance plate
11	6	H25619	PLATE
12	4	H20909	Compression spring
13	4	H25618	Spring Pin
14	4	HF15018	DIN 934 ZN M16
15	4	HF12453	Bolt M16x100 DIN 931 8.8 ZN
16	3	H20528	Nut
17	2	H20054	Swing Bolt M20x120 DIN 444
18	1	H26081	SML Power unit Assembly
19	2	H26080	Hook
20	3	HF12521	Bolt M24x130 DIN 931 8.8 ZN

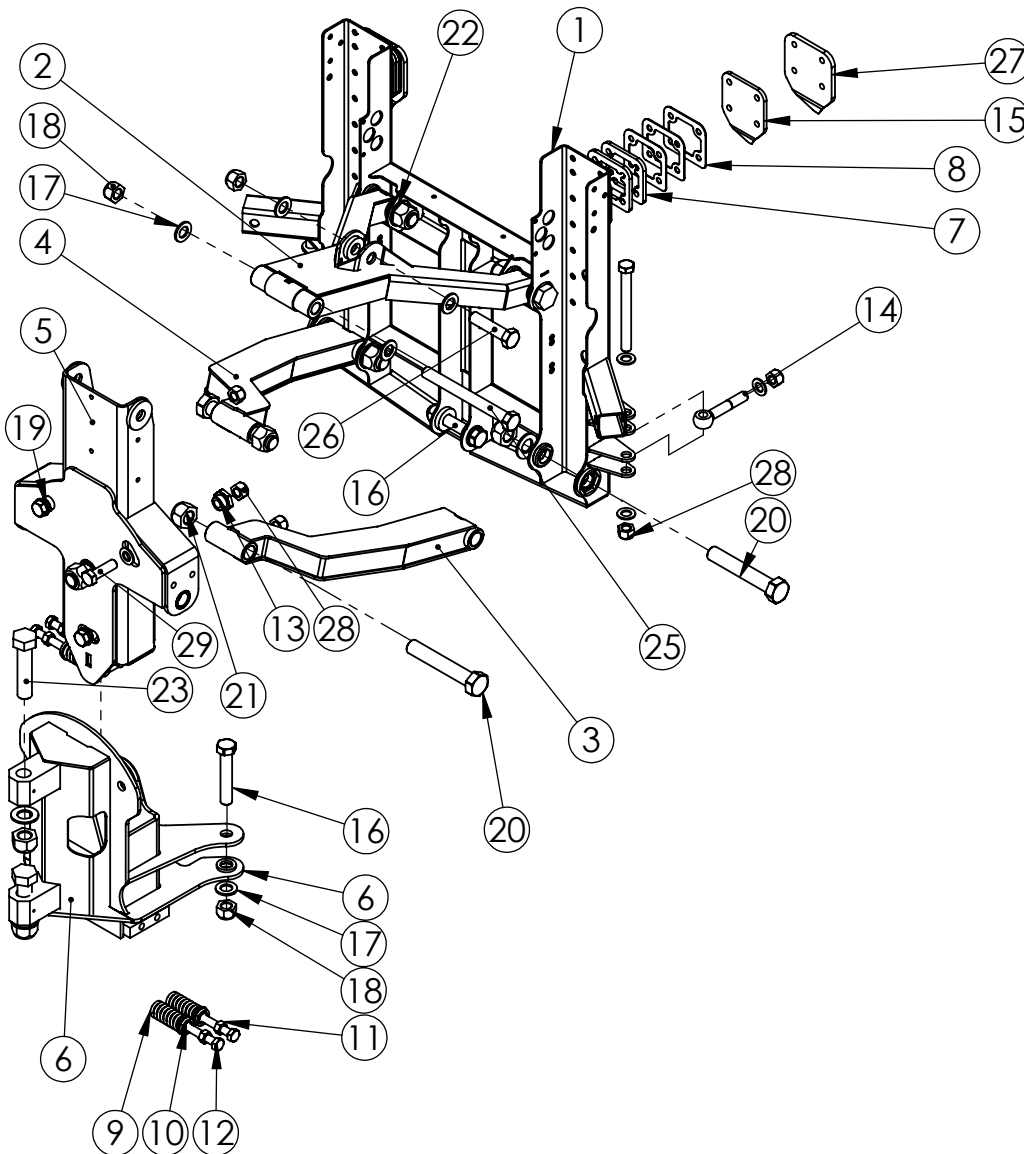
Item	Qty	Part no.	Description
21	8	HF15383	Washer DIN 125 M24 Zn Hv300
22	5	HF10508	Locknut DIN 985 M24
23	3	HF12732	M20x40 DIN 933 8.8 Zn
24	3	HF15382	Washer DIN 125 M20 Zn Hv300
25	5	HF12556	Bolt M30x180 DIN 931 8.8 ZN
26	9	HF15088	Locknut DIN985 8.8Zn M30
27	7	HF15385	Washer DIN 125 Zn Hv300 M30
28	3	HF12552	Bolt M30x130 DIN931 8.8 Zn
29	1	HF12553	Bolt M30x140 DIN931 8.8 Zn
30	1	HF12528	Bolt M24x240 DIN 931 8.8 ZN
31	1	HF12518	M24x100 DIN 931 8.8 Zn
32	1	H26266	SML Light arm Left
33	1	H20107	Plow light Left
34	1	H26267	SML light Arm Right
35	1	H20108	Plow light Right
38	2	H27370	Hook
39	4	HH13315	Pipe bracket 20mm
40	1	H27465	Hydraulic hose
41	1	H27466	Hydraulic hose
42	1	H27467	Hydraulic hose
43	1	H27468	Hydraulic hose
44	2	H27443	Leg assembly SML
45	2	HF12498	M20x200 DIN 931 8.8 Zn
46	6	HF15134	Washer DIN 125 M20 ZN
47	4	HF15078	Lock nut DIN985 8.8 Zn M20



# LIFT FRAME ASSEMBLY

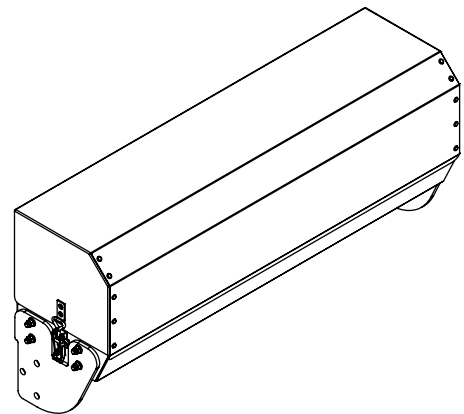
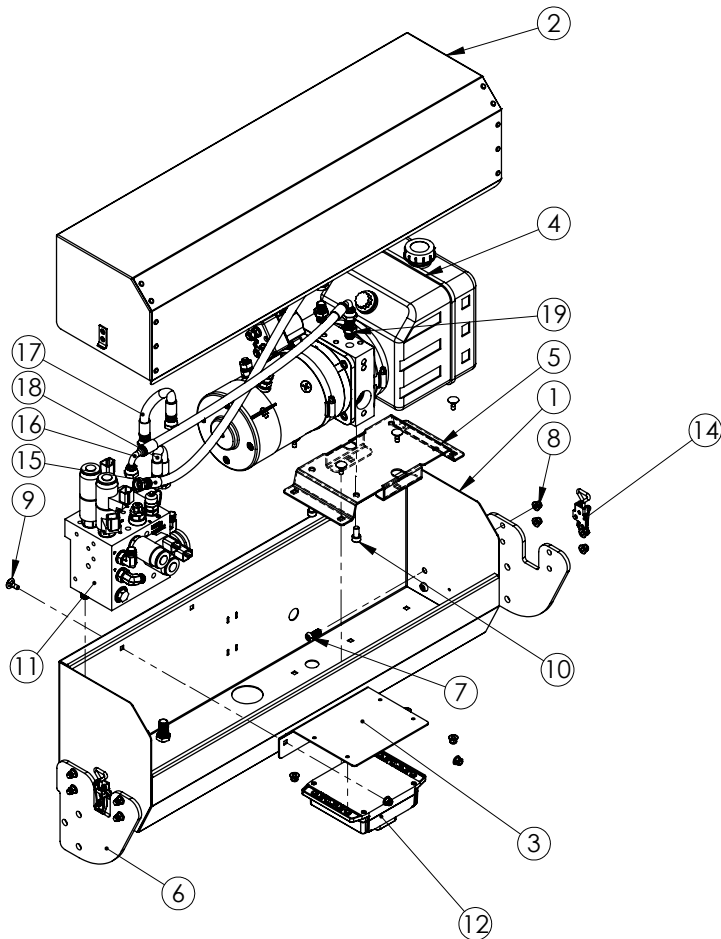
Item	Qty	Part no.	Description
1	1	H26057	Frame
2	1	H26068	Top Y linkage
3	1	H25556	Lower arm left
4	1	H25560	Lower arm right
5	1	H25561	Tower
6	1	H25572	Tilt Frame
7	6	H25620	Hook distance plate
8	6	H25619	PLATE
9	4	H20909	Compression spring
10	4	H25618	Spring Pin
11	4	HF15018	DIN 934 ZN M16
12	4	HF12453	Bolt M16x100 DIN 931 8.8 ZN
13	3	H20528	Nut
14	2	H20054	Swing Bolt M20x120 DIN 444
15	2	H26080	Hook

Item	Qty	Part no.	Description
16	3	HF12521	Bolt M24x130 DIN 931 8.8 ZN
17	8	HF15383	Washer DIN 125 M24 Zn Hv300
18	5	HF10508	Locknut DIN 985 M24
19	3	HF15382	Washer DIN 125 M20 Zn Hv300
20	5	HF12556	Bolt M30x180 DIN 931 8.8 ZN
21	9	HF15088	Locknut DIN985 8.8Zn M30
22	7	HF15385	Washer DIN 125 Zn Hv300 M30
23	3	HF12552	Bolt M30x130 DIN931 8.8 Zn
24	1	HF12553	Bolt M30x140 DIN931 8.8 Zn
25	1	HF12528	Bolt M24x240 DIN 931 8.8 ZN
26	1	HF12518	M24x100 DIN 931 8.8 Zn
27	2	H27370	Hook
28	7	HF15078	Lock nut DIN985 8.8 Zn M20
29	3	HF12737	DIN 933 8.8Zn M20x65
30	2	HF12498	M20x200 DIN 931 8.8 Zn
31	6	HF15134	Washer DIN 125 M20 ZN



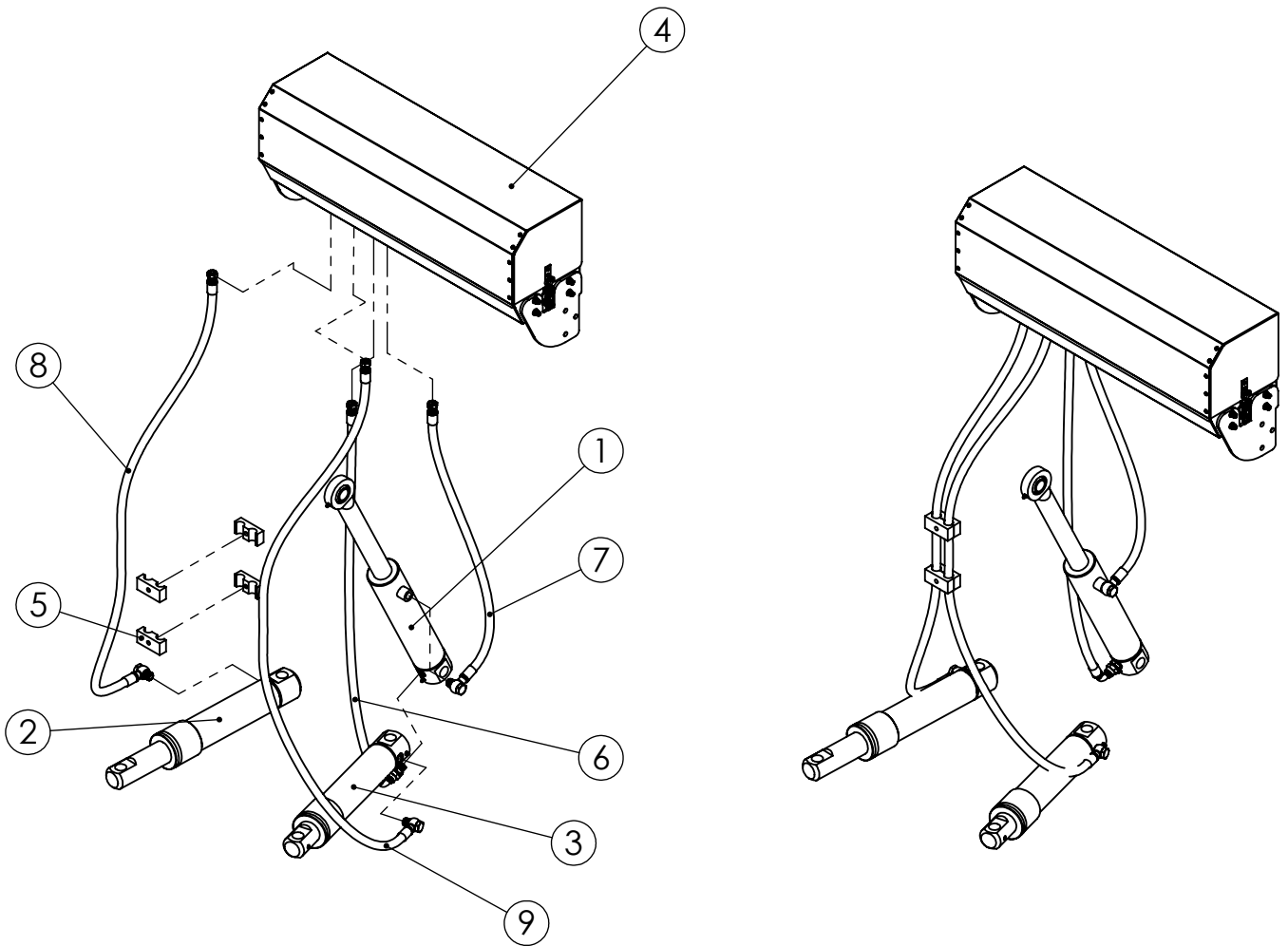
# POWER UNIT ASSEMBLY H26081

Item	Qty	Part no.	Description
1	1	H26082	Frame
2	1	H26085	Cover assembly
3	1	H26102	Bracket
4	1	H26042	24V Electrohydraulic pump with tank
	1	H44350	12V Electrohydraulic pump with tank
5	1	H26084	Bracket
6	2	H26105	Bracket
7	12	HF11283	DIN 7985 M8x20
8	16	HF15375	Locknut DIN 6926 8.8Zn M6
9	8	HF19367	Lockbolt 603/8.8 Zn M6x16
10	2	HF12186	Bolt M8x16 DIN 912 Zn
11	1	H26104	Valve assembly 24V
12	1	H23939	Plow module
13	2	HH14782	Straight bulkhead adapter 1/4"
14	2	H24606	Pull-down catch
15	1	H27471	Hydraulic hose
16	1	H27472	Hydraulic hose
17	1	H27469	Hydraulic hose
18	1	H27470	Hydraulic hose
19	2	HH14437	straight fitting 1/4"



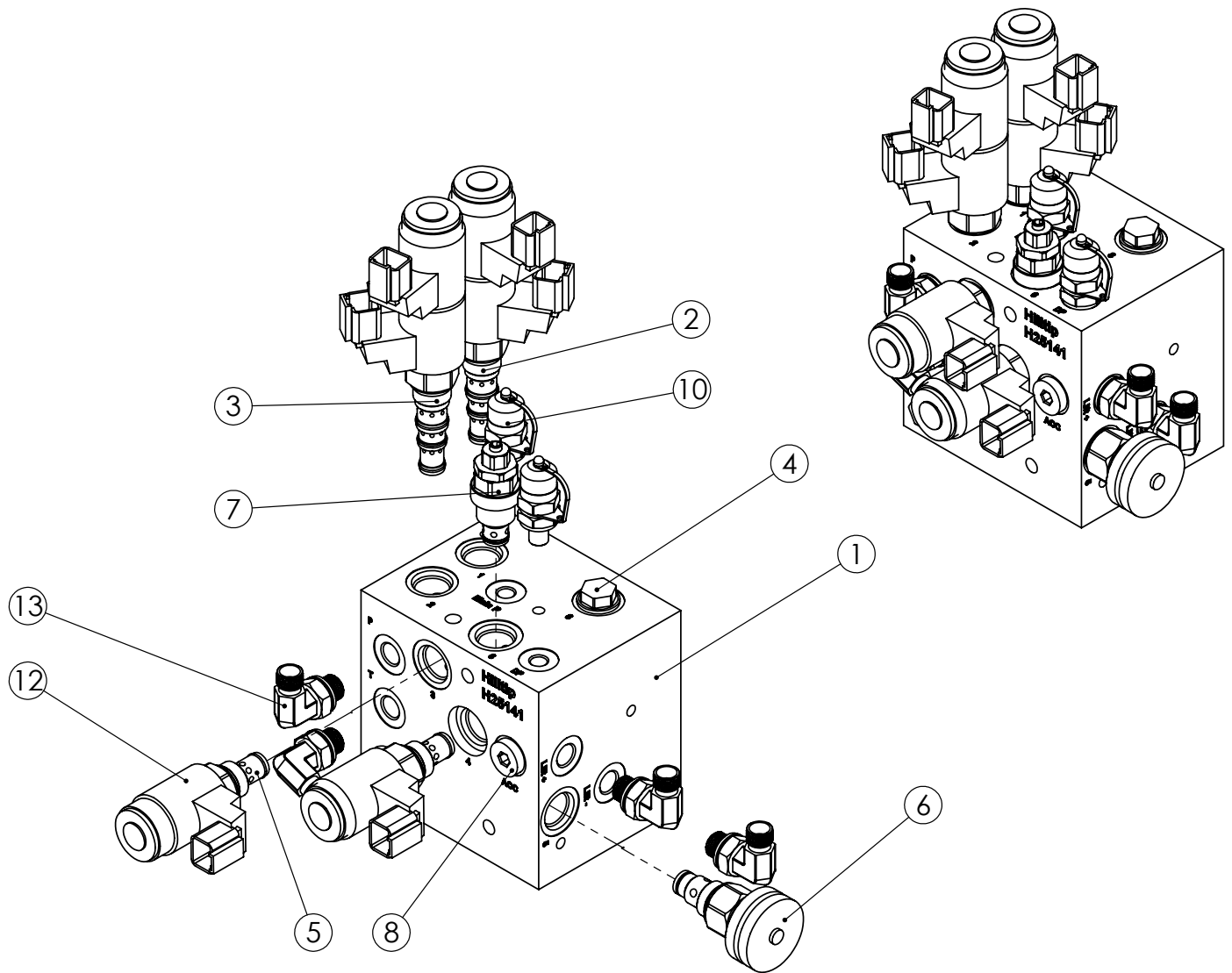
# HYDRAULICS

Item	Qty	Part no.	Description
1	1	H25617	Lift cylinder
2	1	H25616	Angel Cylinder
3	1	H25616	Angel Cylinder
4	1	H26081	SML Power unit Assembly
5	4	HH13315	Pipe bracket 20mm
6	1	H27465	Hydraulic hose
7	1	H27466	Hydraulic hose
8	1	H27467	Hydraulic hose
9	1	H27468	Hydraulic hose



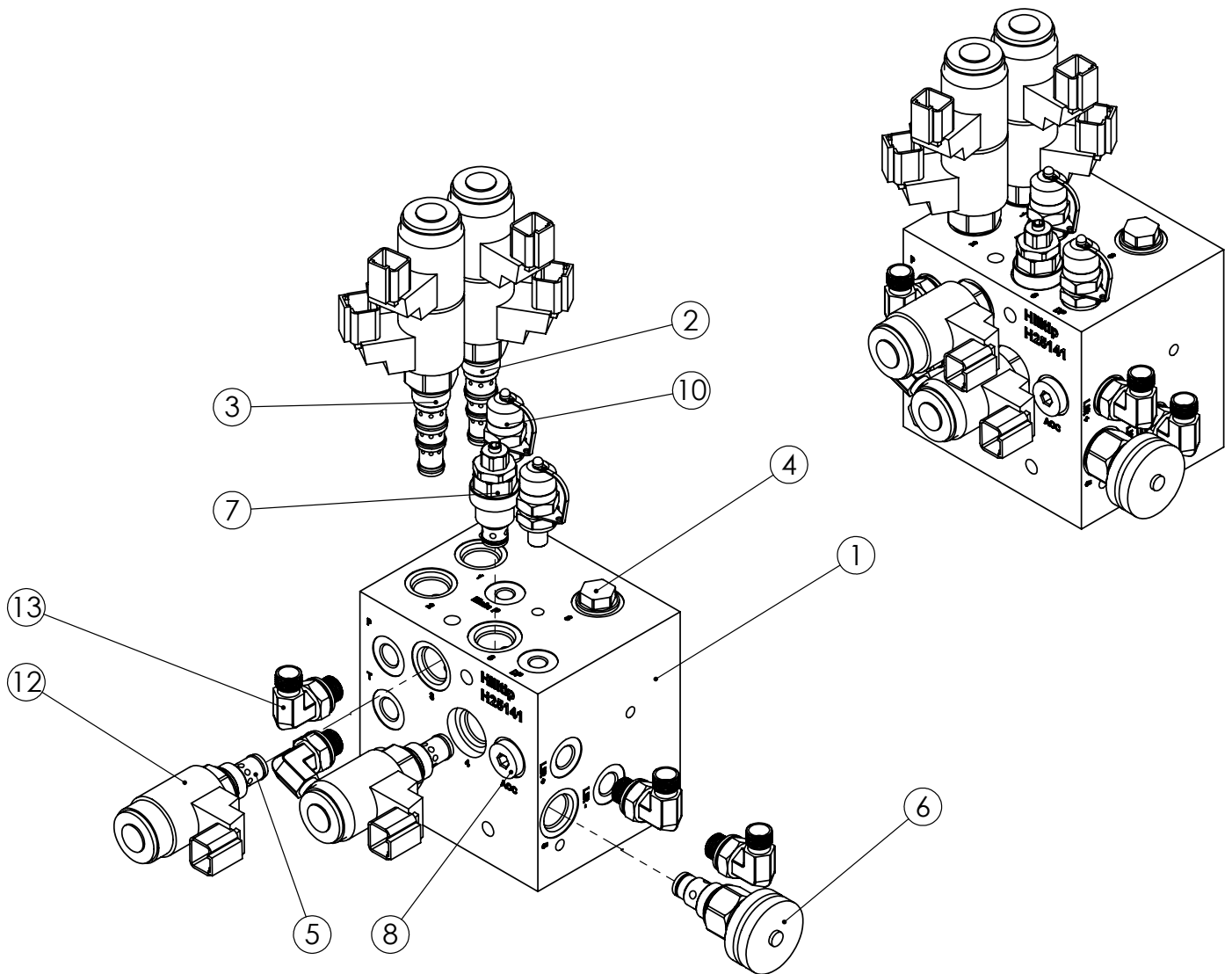
# HYDRAULIC MANIFOLD ASSEMBLY 24V - H26104

Item	Qty	Part no.	Description
1	1	H25141	Valve block
2	1	H23276	Valve
3	1	H23275	Valve
4	2	H25121	Relief and Anticav. Valve
5	2	H25120	2/2 Valve
6	1	H23271	Flow valve
7	1	H23277	Pressure relief valve
8	1	HH14910	Plug
9	2	HH13008	Sealing washer
10	2	HH15837	Pressure gauge adaterM16x2- R1/8"
11	2	HH14437	Straight adapter
12	6	H26103	Coil 24V
13	4	HH14806	Elbow adapter



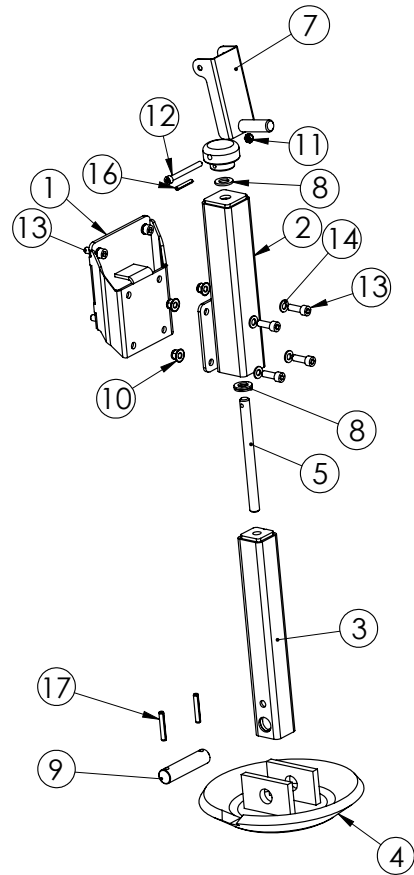
# HYDRAULIC MANIFOLD ASSEMBLY 12V - H44353

Item	Qty	Part no.	Description
1	1	H25141	Valve block
2	1	H23276	Valve
3	1	H23275	Valve
4	2	H25121	Relief and Anticav. Valve
5	2	H25120	2/2 Valve
6	1	H23271	Flow valve
7	1	H23277	Pressure relief valve
8	1	HH14910	Plug
9	2	HH13008	Sealing washer
10	2	HH15837	Pressure gauge adaterM16x2- R1/8"
11	2	HH14437	Straight adapter
12	6	H23481	Coil 12V
13	4	HH14806	Elbow adapter



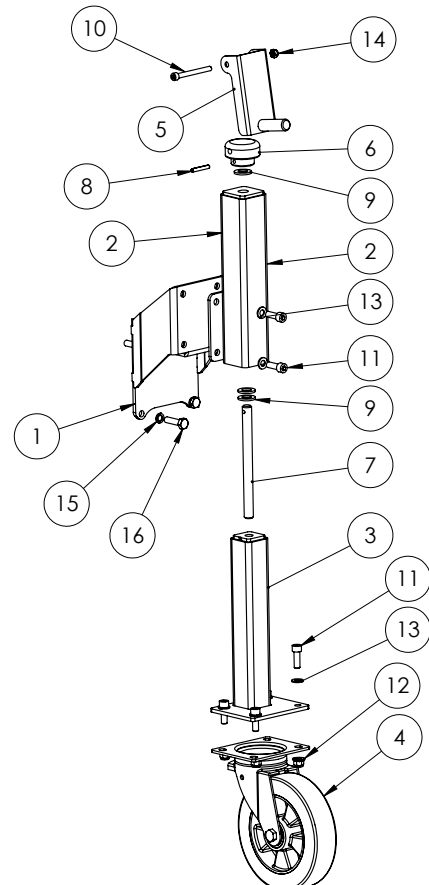
## PLOW SHOE ASSEMBLY - H25770

Item	Qty	Part no.	Description
1	1	H25772	Bracket
2	1	H25778	Outer pipe
3	1	H25781	Inner pipe
4	1	H20799	Wear shoe 270mm
5	1	H25788	Adjustment Bar
6	1	H25793	Top nut
7	1	H25790	Handle
8	3	HF15130	DIN 125 M16 ZN
9	1	H25792	Pin
10	4	HF15370	Nut DIN 6926 m10x1,5 Zn 8
11	1	HF15100	Lock nut DIN985 8,8Zn M8
12	1	HF12200	DIN 912 8.8Zn M8x80
13	8	HF12017	Bolt DIN912 8.8ZN M10x30
14	4	HF15127	Washer DIN 125 M10
15	4	HF15213	Nord-lock M10
16	1	HF16413	Spring pin DIN 1481 6x40
17	2	HF16180	Spring pin DIN 1481 8x50



## PLOW WHEEL ASSEMBLY - H25771

Item	Qty	Part no.	Description
1	1	H25775	Bracket
2	1	H25778	Outer pipe
3	1	H25785	Inner pipe for wheel
4	1	H25805	Wheel 200mm
5	1	H25790	Handle
6	1	H25793	Top nut
7	1	H25788	Adjustment Bar
8	1	HF16413	Spring pin DIN 1481 6x40
9	3	HF15130	DIN 125 M16 ZN
10	1	HF12200	DIN 912 8.8Zn M8x80
11	8	HF12017	Bolt DIN912 8.8ZN M10x30
12	8	HF15370	Nut DIN 6926 m10x1,5 Zn 8
13	8	HF15127	Washer DIN 125 M10
14	1	HF15100	Lock nut DIN985 8,8Zn M8
15	4	HF15213	Nord-lock M10
16	4	HF12655	Bolt M10x40 DIN933



## JOYSTICK

Determine the joystick version by looking at the serial number at the back of the joystick:

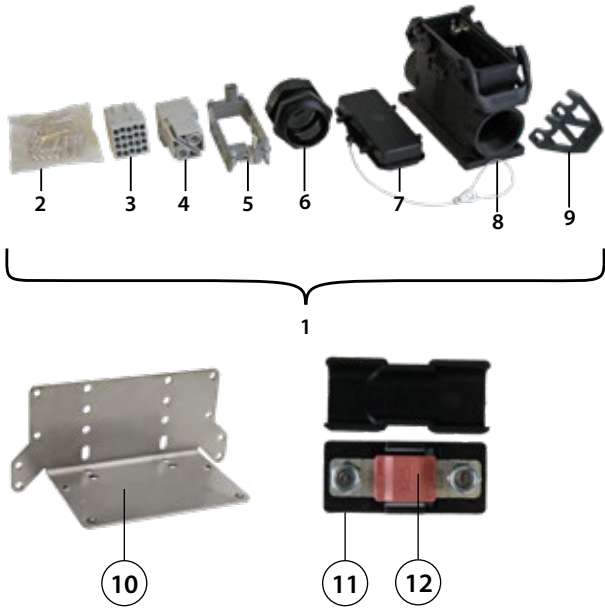
<i>Version</i>	<i>Qty</i>	<i>Part no.</i>	<i>Description</i>
8 →	1	H25271	SP joystick



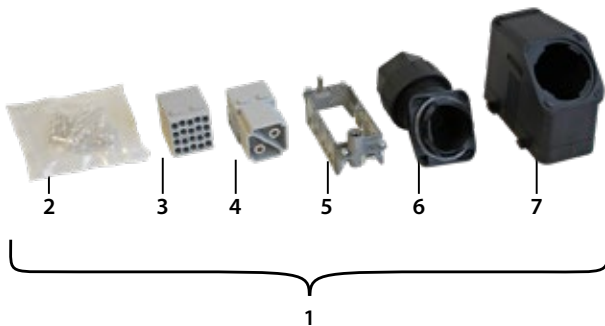
## HARNESSES

<i>Part no.</i>	<i>Description</i>
H30593	Vehicle side (with light tower)
H30786	Vehicle side (w/o light tower)
H30784	SML plow side harness (with light tower)
H30782	SML plow side harness (w/o light tower)
H25178	SML plow valve harness

## CONNECTORS



Item	Qty	Part no.	Description
1	1	H25748	Vehicle side harness connector
2	1	H25822	Terminal kit (5 pcs 0.5mm <sup>2</sup> + 15 pcs 1,5 mm <sup>2</sup> )
3	1	H25795	Insert module
4	1	H25796	Insert module
5	1	H25797	Carrier frame
6	1	H25757	Cable gland 40x1,5
7	1	H25798	Cover
8	1	H25799	Housing
9	2	H30578	Double locking latch
10	1	H23738	Bracket
11	1	H26129	Fuse holder midval small
12	1	H22885	Fuse midval 125 A, pink

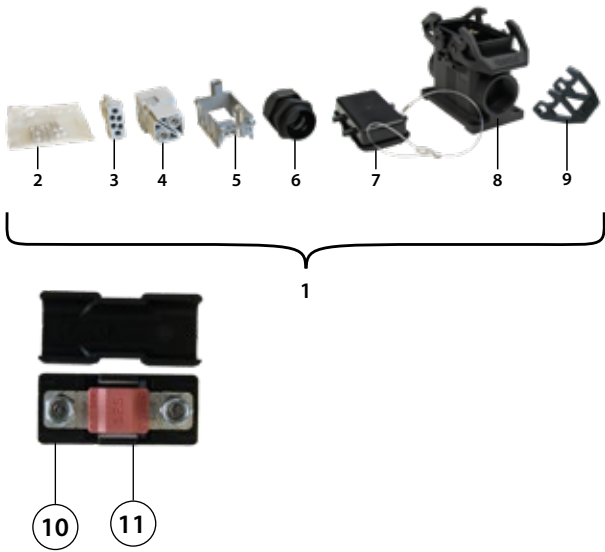


Item	Qty	Part no.	Description
1	1	H25749	Plow side harness connector
2	1	H25824	Terminal kit (20 pcs 1,5 mm <sup>2</sup> )
3	1	H25801	Insert module
4	1	H25800	Insert module
5	1	H25802	Carrier frame
6	1	H25756	Cable gland
7	1	H25810	Housing

Item	Qty	Part no.	Description
1	1	H25767	Plow side harness connector holder



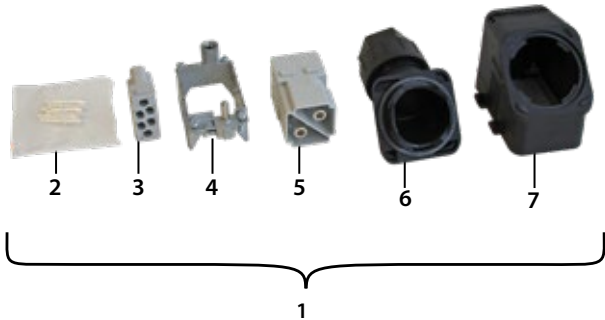
For plows without light kit



Item	Qty	Part no.	Description
1	1	H25750	Vehicle side harness connector (for plows without light kit)
2	1	H25825	Terminal kit (5 pcs 0,5mm <sup>2</sup> )
3	1	H25762	Insert module
4	1	H25796	Insert module
5	1	H25763	Carrier frame
6	1	H25764	Cable gland
7	1	H25803	Cover
8	1	H25765	Housing
9	2	H30578	Double locking latch

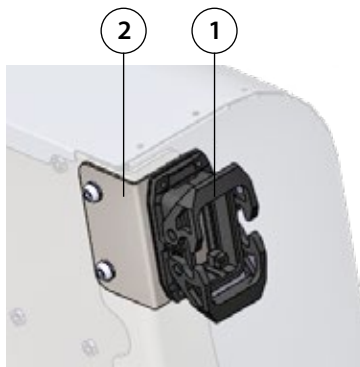
10	1	H26129	Fuse holder midval small
11	1	H22885	Fuse midval 125 A, pink

For plows without light kit

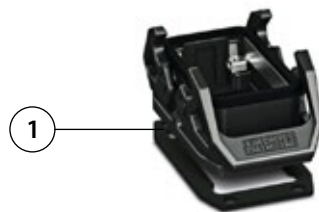


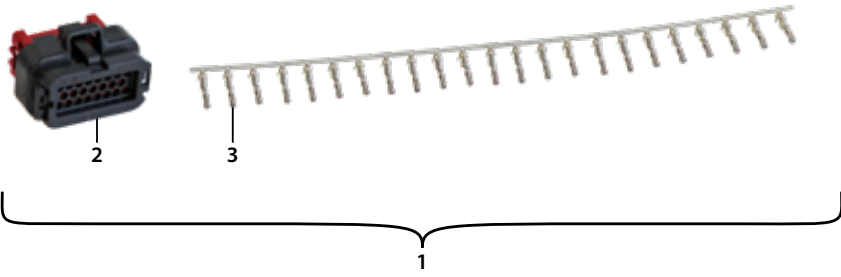
Item	Qty	Part no.	Description
1	1	H25751	Plow side harness connector (For plows without light kit)
2	1	H25823	Terminal kit (5 pcs 1,0 mm <sup>2</sup> )
3	1	H25758	Insert module
4	1	H25759	Carrier frame
5	1	H25800	Insert module
6	1	H25760	Cable gland
7	1	H25828	Housing

For plows without light kit

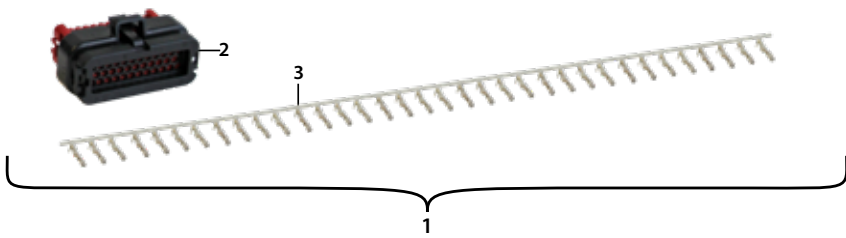


Item	Qty	Part no.	Description
1	1	H25766	Plow side harness connector holder (For plows without light kit)
2	1	H25453	Bracket






<i>Item</i>	<i>Qty</i>	<i>Part no.</i>	<i>Description</i>
1	1	H25746	Connector
2	1	H24128	Housing 23 pin
3	1	H25811	Female terminals (35 pcs)



<i>Item</i>	<i>Qty</i>	<i>Part no.</i>	<i>Description</i>
1	1	H25747	Connector
2	1	H21955	Housing 35 pin
3	1	H25811	Female terminals (35 pcs)



**Oy Hilltip Ab**  
Pukkisaarentie 6  
68600 Pietarsaari  
Finland

 +358 50 5983 026

[www.hilltip.com](http://www.hilltip.com)  
[info@hilltip.com](mailto:info@hilltip.com)