



PARTS LIST

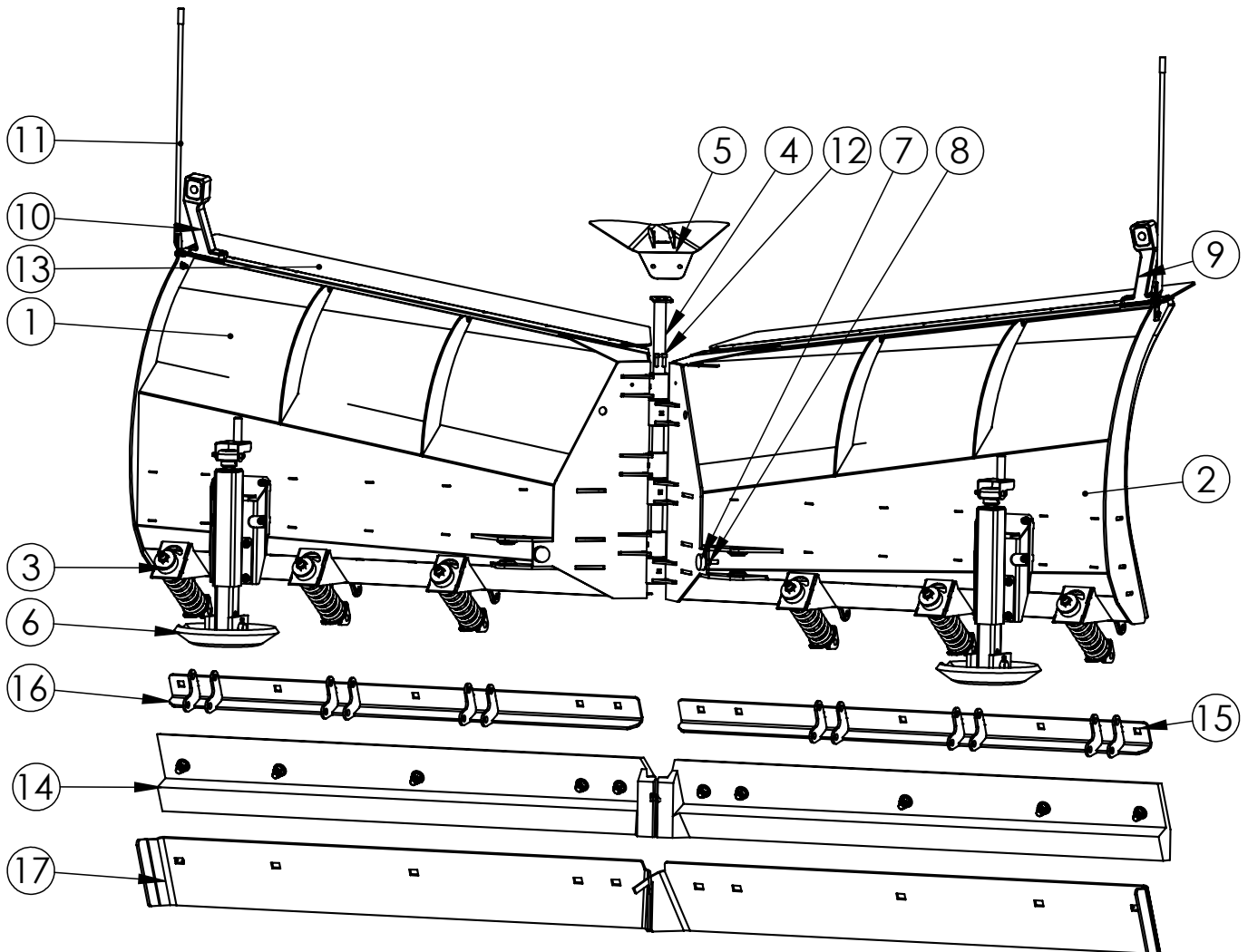
2600-3200 VML PLOW

BLADE ASSEMBLY.....	2
LIFT FRAME ASSEMBLY.....	3
POWER UNIT ASSEMBLY.....	4
HYDRAULICS.....	5
HYDRAULIC MANIFOLD ASSEMBLY 24V.....	6
HYDRAULIC MANIFOLD ASSEMBLY 12V.....	7
PLOW SHOE ASSEMBLY.....	8
PLOW WHEEL ASSEMBLY.....	8
JOYSTICK.....	9
HARNESSES.....	9
CONNECTORS.....	10

BLADE ASSEMBLY

Item	Qty	Part no.	2600 VML	2900 VML	3200 VML	Description	Notes
1	1	*ssm	H43890	H42455	H43230	Left wing	
2	1	*ssm	H43891	H42464	H43231	Right wing	
3	6	H25588				Spring assembly	
4	1	H42481				Center pin	
5	1	H42484				Deflector bracket	
6	2	H42493				Shoe pre-assembly	
7	2	H23783				Vibration damper	
8	2	HF15064				Lock nut DIN 985 M10	
9	1	H22467				Led right side position light	
10	1	H22468				Led left side position light	
11	2	H25965				Plow blade marker with bolts	
12	2	HF12189				Bolt DIN 912 8.8Zn M8x25	
13	2	*ssm	H42503	H42504	H42505	Rubber deflector kit	
14	1	*ssm	H42498	H42499	H42500	Polyurethane steel inlay cutting edge kit	
15	1	*ssm	H43902	H42466	H43244	Right scraper bracket	
16	1	*ssm	H43901	H42465	H43242	Left scraper bracket	
17	1	*ssm	H42507	H42488	H42508	Steel cutting edge kit	

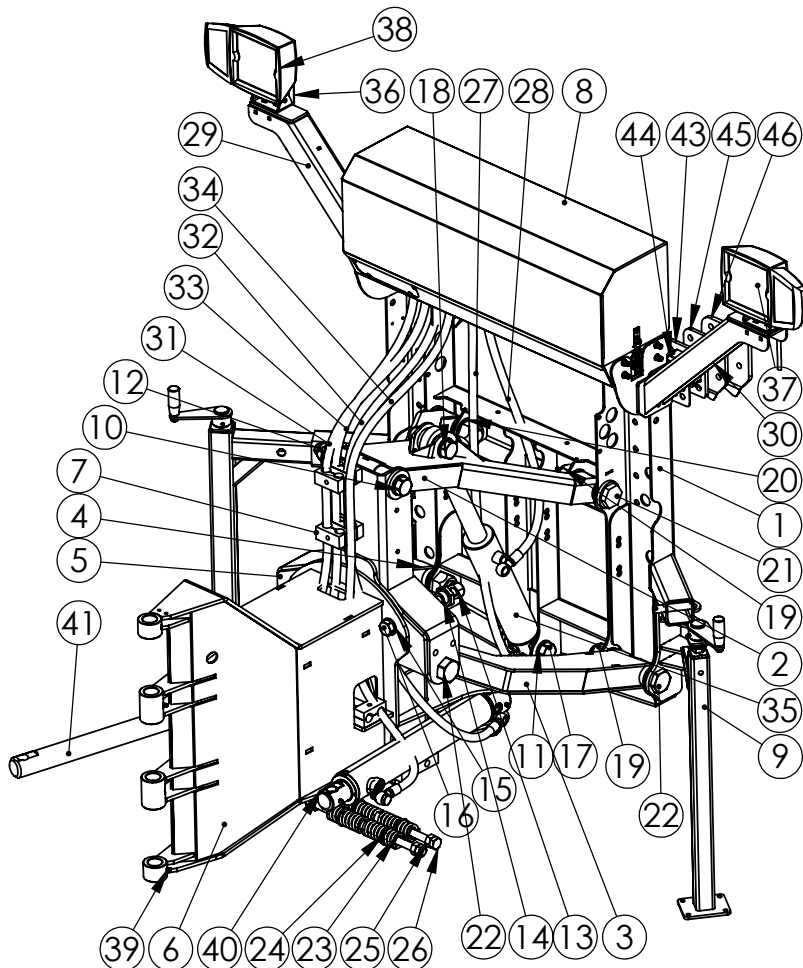
*ssm = see specific model



LIFT FRAME ASSEMBLY

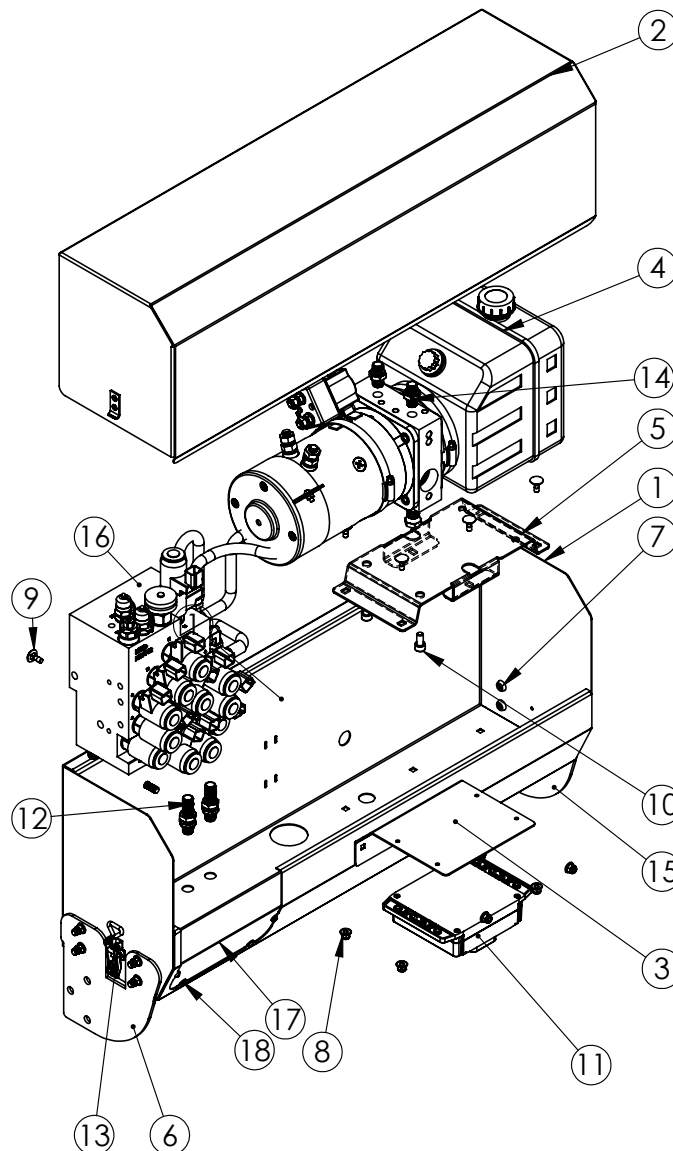
Item	Qty	Part no.	Description
1	1	H26057	Frame
2	1	H26068	Top Y linkage
3	1	H25556	Lower arm left
4	1	H25560	Lower arm right
5	1	H25561	Tower
6	1	H42472	Tilt frame
7	1	HH13315	Pipe bracket
8	1	H42336	Power unit assembly
9	2	H27443	Leg assembly
10	1	HF12528	Bolt M24x240 DIN 931 8.8 ZN
11	10	HF15383	Washer DIN 125 M24 Zn Hv300
12	5	HF10508	Locknut DIN 985 M24
13	3	HF15078	Lock nut DIN985 8.8 Zn M20
14	3	H20528 2	Nut
15	3	HF15382	Washer DIN 125 M20 Zn Hv300
16	3	HF12737	DIN 933 8.8Zn M20x65
17	3	HF12521	Bolt M24x130 DIN 931 8.8 ZN
18	1	HF12518	M24x100 DIN 931 8.8 Zn
19	7	HF15088	Locknut DIN985 8.8Zn M30
20	3	HF15385	Washer DIN 125 Zn Hv300 M30
21	2	HF12552	Bolt M30x130 DIN931 8.8 Zn
22	5	HF12556	Bolt M30x180 DIN 931 8.8 ZN

Item	Qty	Part no.	Description
23	4	H20909	Compression spring
24	4	H25618	Spring
25	4	HF15018	DIN 934 ZN M16
26	4	HF12453	Bolt M16x100 DIN 931 8.8 ZN
27	1	H27465	Hydraulic hose
28	1	H27466	Hydraulic hose
29	1	H26267	Light Arm Right
30	1	H26266	Light arm Left
31	1	H27467	Hydraulic hose
32	1	H27468	Hydraulic hose
33	1	H42520	Hose assembly R-
34	1	H42519	Hose assembly L-
35	1	H25617	Lift cylinder MWL
36	2	H40229	Light support plate
37	1	H26687	LED Plow light, Driver's side
38	1	H26686	LED Plow light, Passenger's side
39	6	HF16544	Grease nipple m6
40	1	H42257	Cylinder
41	1	H42257	Cylinder
43	2	H25620	Hook distance plate
44	2	H25619	PLATE
45	2	H26080	Hook
46	2	H27370	Hook



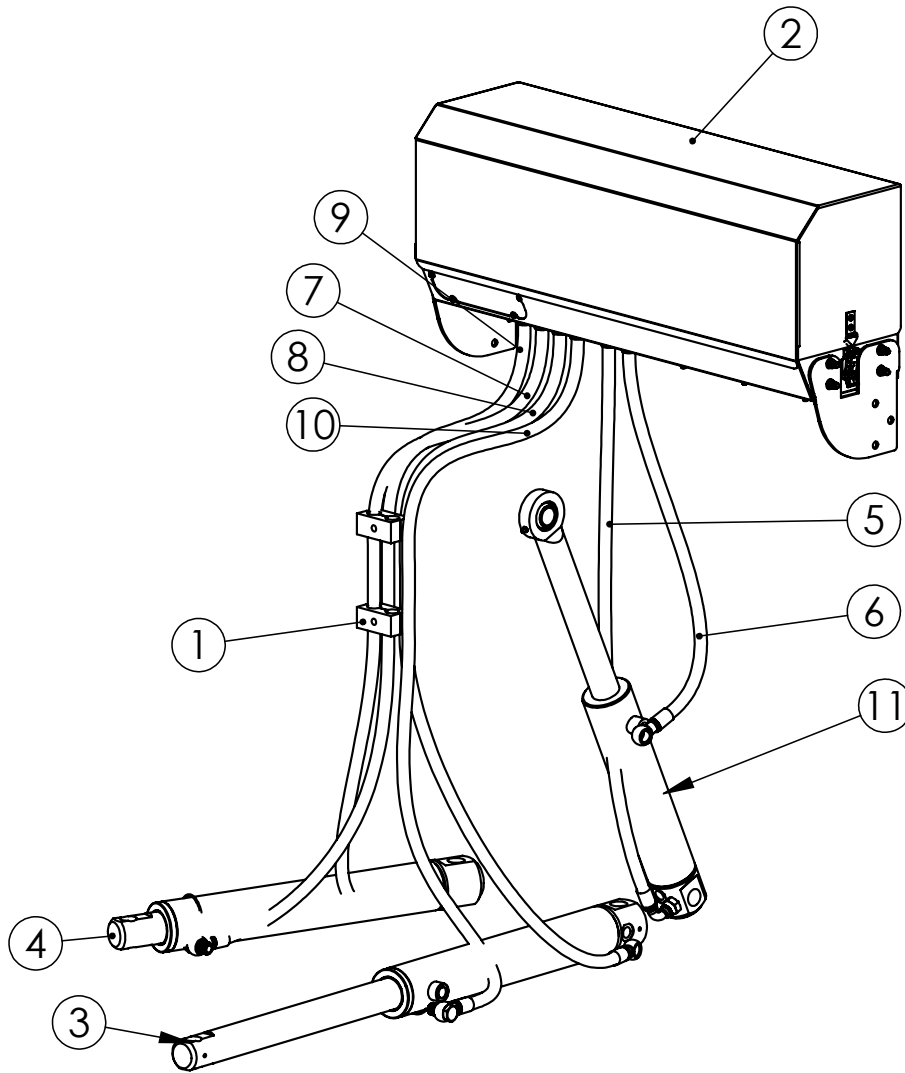
POWER UNIT ASSEMBLY H42336

Item	Qty	Part no.	Description
1	1	H42337	Bottom frame
2	1	H42339	Cover assembly
3	1	H26102	Bracket
4	1	H26042	24V Electro hydraulic pump with tank
	1	H44350	12V Electro hydraulic pump with tank
5	1	H26084	Bracket
6	1	H26105	Bracket
7	12	HF11283	DIN 7985 M8x20
8	16	HF15375	DIN 6926 8.8 Zn M6
9	8	HF19367	Lockbolt 603/8.8 Zn M6x16
10	2	HF12186	Bolt M8x16 DIN 912 Zn
11	1	H23939	Plow module
12	2	HH14782	Straight bulkhead adapter 1/4"
13	2	H24606	Pull-down catch
14	2	HH14437	Straight fitting 1/4"
15	1	H26105	Bracket
16	1	H42521	Valve unit pre-assembly



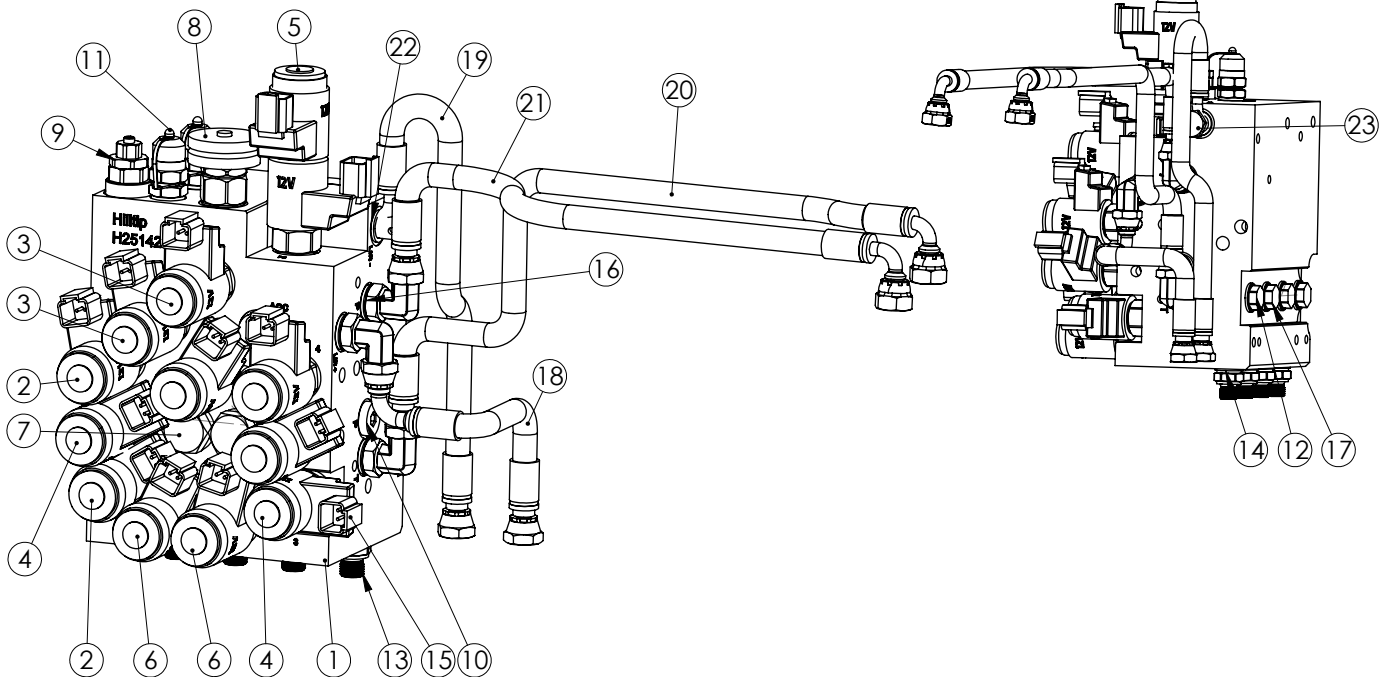
HYDRAULICS

Item	Qty	Part no.	Description
1	4	HH13315	Pipe bracket 20mm
2	1	H42336	Power unit assembly
3	1	H42257	Cylinder
4	1	H42257	Cylinder
5	1	H27465	Hydraulic hose SML Lift +line
6	1	H27466	Hydraulic hose SML Lift - line
7	1	H27467	Hydraulic hose SML Right +
8	1	H27468	Hydraulic hose SML Left +
9	1	H42520	Hose assembly R- VML Right -
10	1	H42519	Hose assembly L- VML Left -
11	1	H25617	Lift cylinder MWL



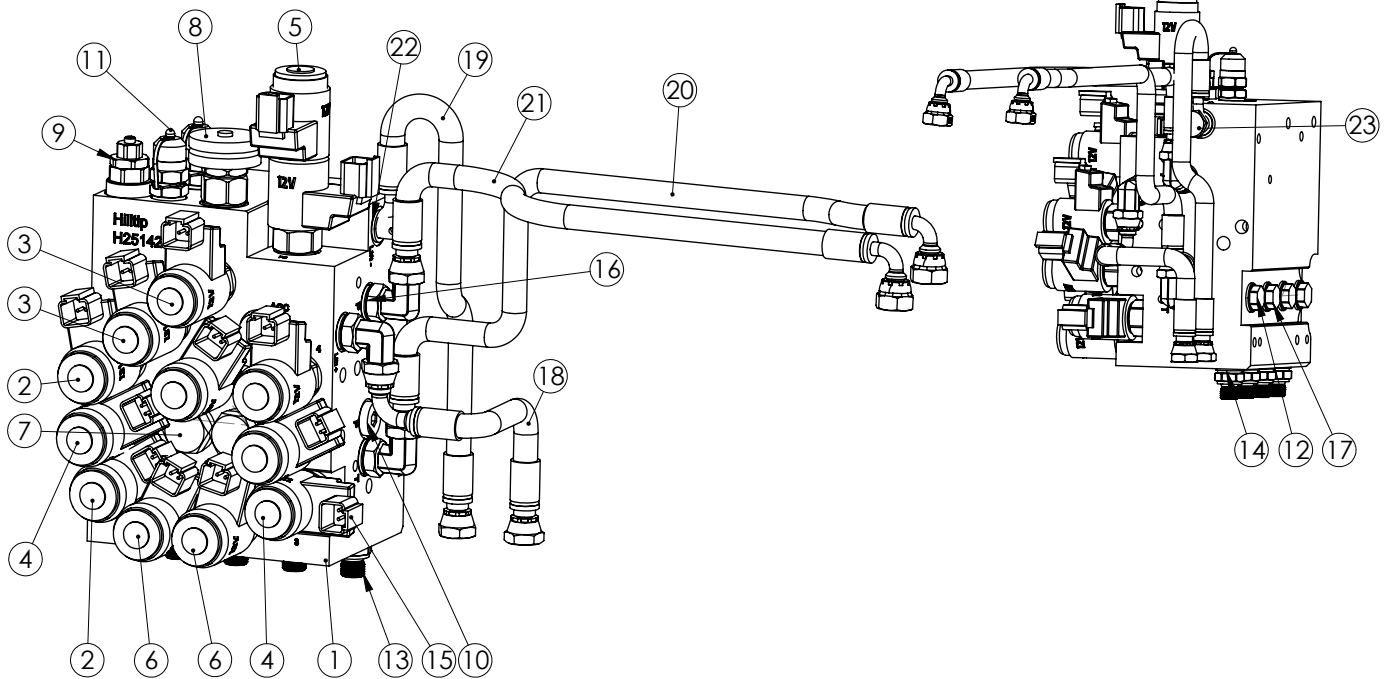
HYDRAULIC MANIFOLD ASSEMBLY 24V - H42521

Item	Qty	Part no.	Description
1	1	H25142	Valve block
2	4	H25119	Valve 2/2 NC
3	2	H25120	Valve 2/2 NC
4	3	H25118	Valve 2/2 NO
5	1	H23275	Valve
6	2	H25117	Valve 2/2 NC
7	2	H25116	One-way valve
8	1	H23271	Flow valve
9	1	H23277	Pressure relief valve
10	2	HH14910	Plug
11	2	HH15837	Pressure gauge adater M16x2- R1/8"
12	2	H23963	Relief and Anticav. Valve 220 VIS
13	4	HH14437	Straight adapter
14	4	HH13008	Sealing washer
15	13	H26103	Coil 24V
16	3	HH14806	90deg fitting
17	2	H22400	Relief and Anticav. Valve 180
18	1	H42522	Hose assembly VML Lift +
19	1	H42523	Hose assembly VML Lift -
20	1	H42524	Hose assembly VML T
21	1	H42525	Hose assembly VML P 420mm
22	2	HH13100	Cu washer13,5/18
23	1	HH11242	Banjo bolt 1/4"



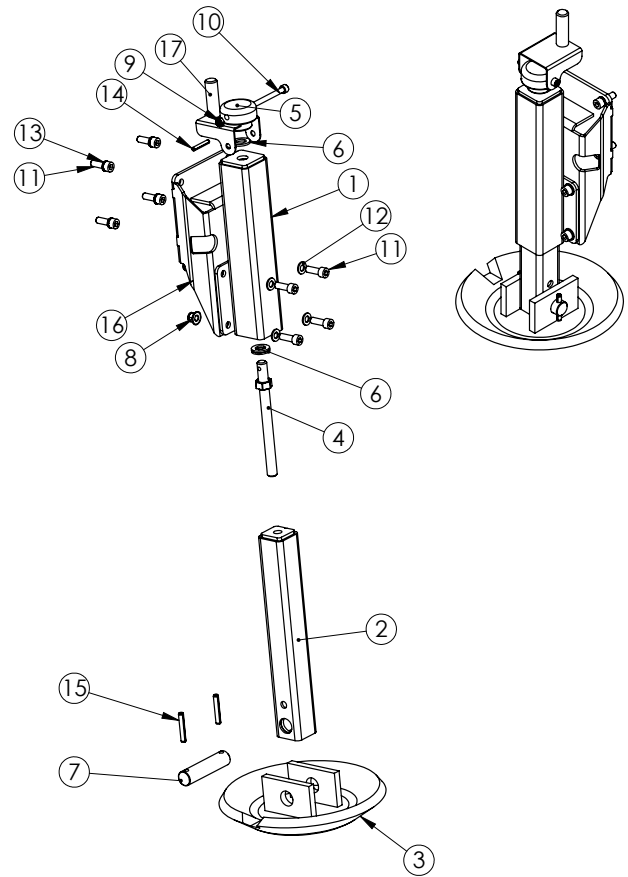
HYDRAULIC MANIFOLD ASSEMBLY 12V - H44354

Item	Qty	Part no.	Description
1	1	H25142	Valve block
2	4	H25119	Valve 2/2 NC
3	2	H25120	Valve 2/2 NC
4	3	H25118	Valve 2/2 NO
5	1	H23275	Valve
6	2	H25117	Valve 2/2 NC
7	2	H25116	One-way valve
8	1	H23271	Flow valve
9	1	H23277	Pressure relief valve
10	2	HH14910	Plug
11	2	HH15837	Pressure gauge adater M16x2- R1/8"
12	2	H23963	Relief and Anticav. Valve 220 VIS
13	4	HH14437	Straight adapter
14	4	HH13008	Sealing washer
15	13	H23481	Coil 12V
16	3	HH14806	90deg fitting
17	2	H22400	Relief and Anticav. Valve 180
18	1	H42522	Hose assembly VML Lift +
19	1	H42523	Hose assembly VML Lift -
20	1	H42524	Hose assembly VML T
21	1	H42525	Hose assembly VML P 420mm
22	2	HH13100	Cu washer13,5/18
23	1	HH11242	Banjo bolt 1/4"



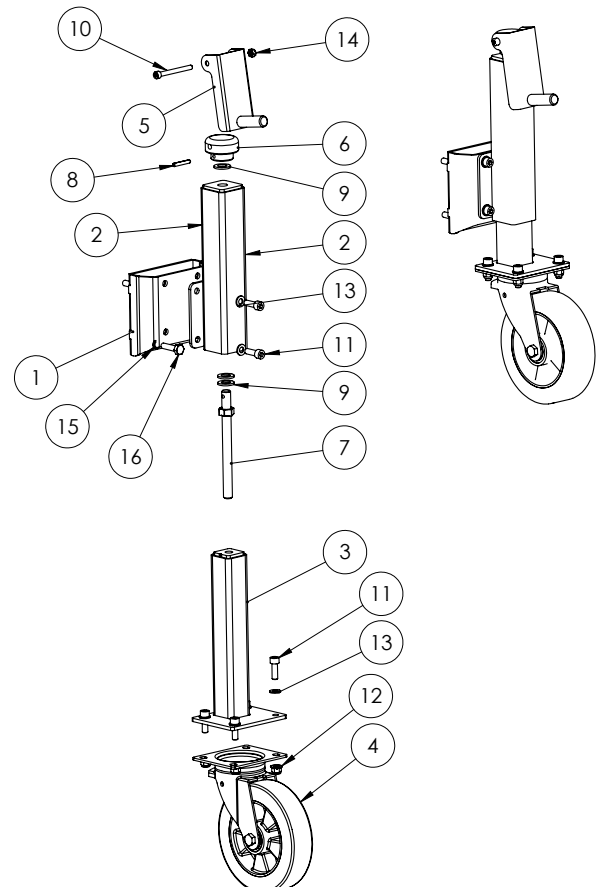
PLOW SHOE ASSEMBLY - H42493

Item	Qty	Part no.	Description
1	1	H25778	Outer pipe
2	1	H25781	Inner pipe
3	1	H20799	270mm wear shoe
4	1	H25788	Adjustment Bar
5	1	H25793	Top nut
6	3	HF15130	DIN 125 M16 ZN
7	1	H25792	Pin Ø25-105
8	4	HF15370	Nut DIN 6926 m10x1,5 Zn 8
9	1	HF15100	Lock nut DIN985 8,8Zn M8
10	1	HF12200	DIN 912 8.8Zn M8x80
11	8	HF12017	Bolt DIN912 8.8ZN M10x30
12	4	HF15127	Washer DIN 125 M10
13	4	HF15213	Nord-lock M10
14	1	HF16413	Spring pin DIN 1481 6x40
15	2	HF16180	Spring pin DIN 1481 8x50
16	1	H42490	Plow shoe distance bracket
17	1	H42495	Handle short



PLOW WHEEL ASSEMBLY - H43268

Item	Qty	Part no.	Description
1	1	H43265	Plow wheel distance bracket
2	1	H25778	Outer pipe
3	1	H25785	Inner pipe for wheel
4	1	H25805	Wheel 200mm
5	1	H25790	Handle
6	1	H25793	Top nut Ø60-40
7	1	H25788	Adjustment Bar
8	1	HF16413	Spring pin DIN 1481 6x40
9	3	HF15130	DIN 125 M16 ZN
10	1	HF12200	DIN 912 8.8Zn M8x80
11	8	HF12017	Bolt DIN912 8.8ZN M10x30
12	8	HF15370	Nut DIN 6926 m10x1,5 Zn 8
13	8	HF15127	Washer DIN 125 M10
14	1	HF15100	Lock nut DIN985 8,8Zn M8
15	4	HF15213	Nord-lock M10 Nord-lock M10
16	4	HF12655	Bolt M10x40 DIN933



JOYSTICK

Determine the joystick version by looking at the serial number at the back of the joystick:

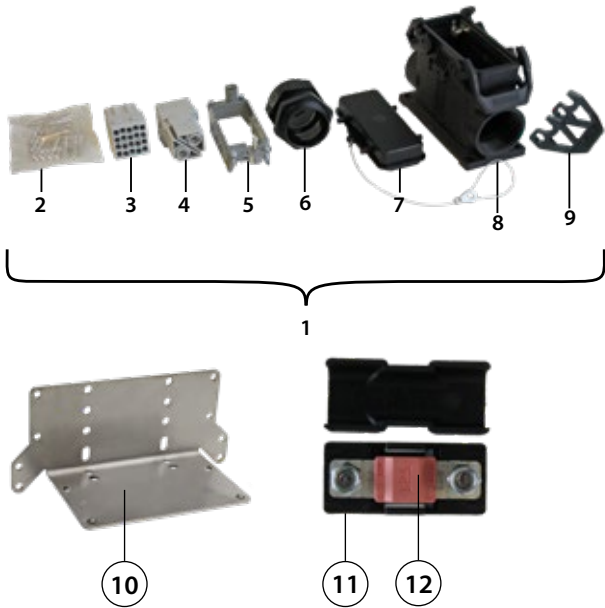
Version	Qty	Part no.	Description
16 →	1	H30504	VP joystick with push button



HARNESSES

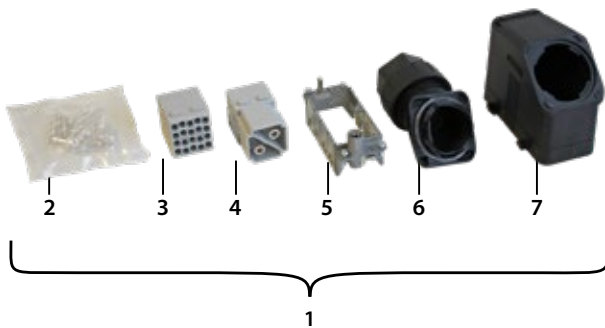
Part no.	Description
H30593	Vehicle side (with light tower)
H30786	Vehicle side (w/o light tower)
H30785	VML plow side harness (with light tower)
H30783	VML plow side harness (w/o light tower)
H25177	VML plow valve harness

CONNECTORS



Item	Qty	Part no.	Description
1	1	H25748	Vehicle side harness connector
2	1	H25822	Terminal kit (5 pcs 0.5mm ² + 15 pcs 1,5 mm ²)
3	1	H25795	Insert module
4	1	H25796	Insert module
5	1	H25797	Carrier frame
6	1	H25757	Cable gland 40x1,5
7	1	H25798	Cover
8	1	H25799	Housing
9	2	H30578	Double locking latch

10	1	H23738	Bracket
11	1	H26129	Fuse holder midval small
12	1	H22885	Fuse midval 125 A, pink

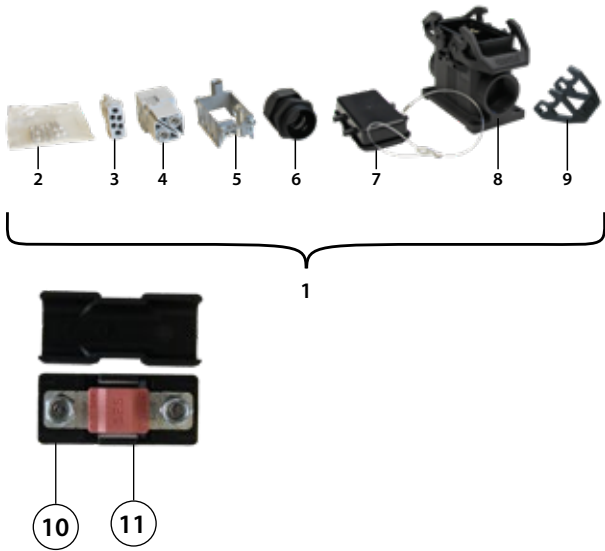


Item	Qty	Part no.	Description
1	1	H25749	Plow side harness connector
2	1	H25824	Terminal kit (20 pcs 1,5 mm ²)
3	1	H25801	Insert module
4	1	H25800	Insert module
5	1	H25802	Carrier frame
6	1	H25756	Cable gland
7	1	H25810	Housing

Item	Qty	Part no.	Description
1	1	H25767	Plow side harness connector holder



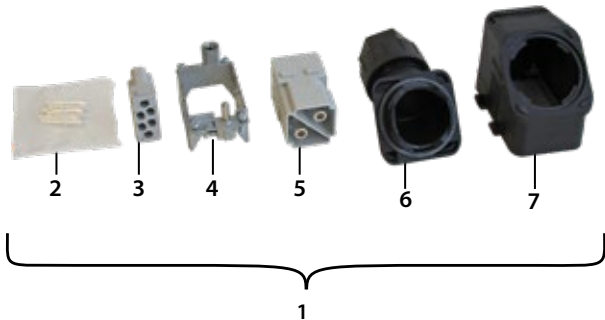
For plows without light kit



Item	Qty	Part no.	Description
1	1	H25750	Vehicle side harness connector (for plows without light kit)
2	1	H25825	Terminal kit (5 pcs 0,5mm ²)
3	1	H25762	Insert module
4	1	H25796	Insert module
5	1	H25763	Carrier frame
6	1	H25764	Cable gland
7	1	H25803	Cover
8	1	H25765	Housing
9	2	H30578	Double locking latch

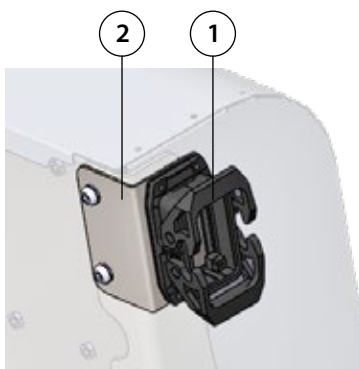
10	1	H26129	Fuse holder midval small
11	1	H22885	Fuse midval 125 A, pink

For plows without light kit

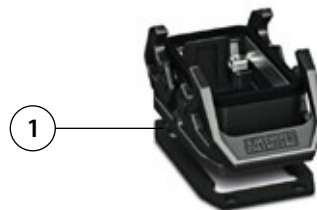


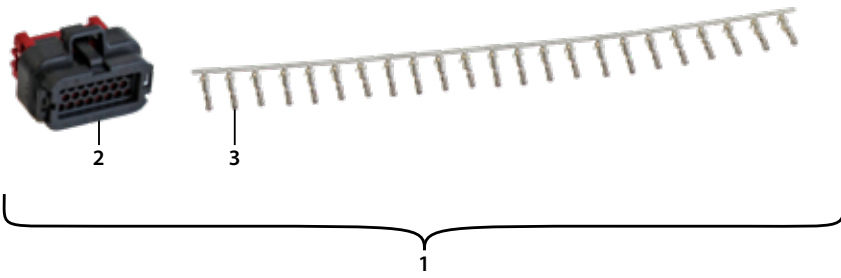
Item	Qty	Part no.	Description
1	1	H25751	Plow side harness connector (For plows without light kit)
2	1	H25823	Terminal kit (5 pcs 1,0 mm ²)
3	1	H25758	Insert module
4	1	H25759	Carrier frame
5	1	H25800	Insert module
6	1	H25760	Cable gland
7	1	H25828	Housing

For plows without light kit

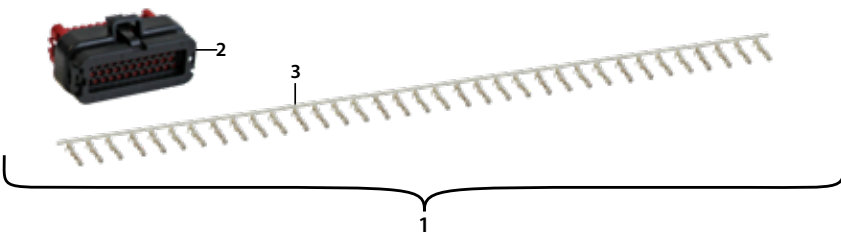


Item	Qty	Part no.	Description
1	1	H25766	Plow side harness connector holder (For plows without light kit)
2	1	H25453	Bracket





Item	Qty	Part no.	Description
1	1	H25746	Connector
2	1	H24128	Housing 23 pin
3	1	H25811	Female terminals (35 pcs)



Item	Qty	Part no.	Description
1	1	H25747	Connector
2	1	H21955	Housing 35 pin
3	1	H25811	Female terminals (35 pcs)



Oy Hilltip Ab
Pukkisaarentie 6
68600 Pietarsaari
Finland

 +358 50 5983 026
www.hilltip.com
info@hilltip.com