



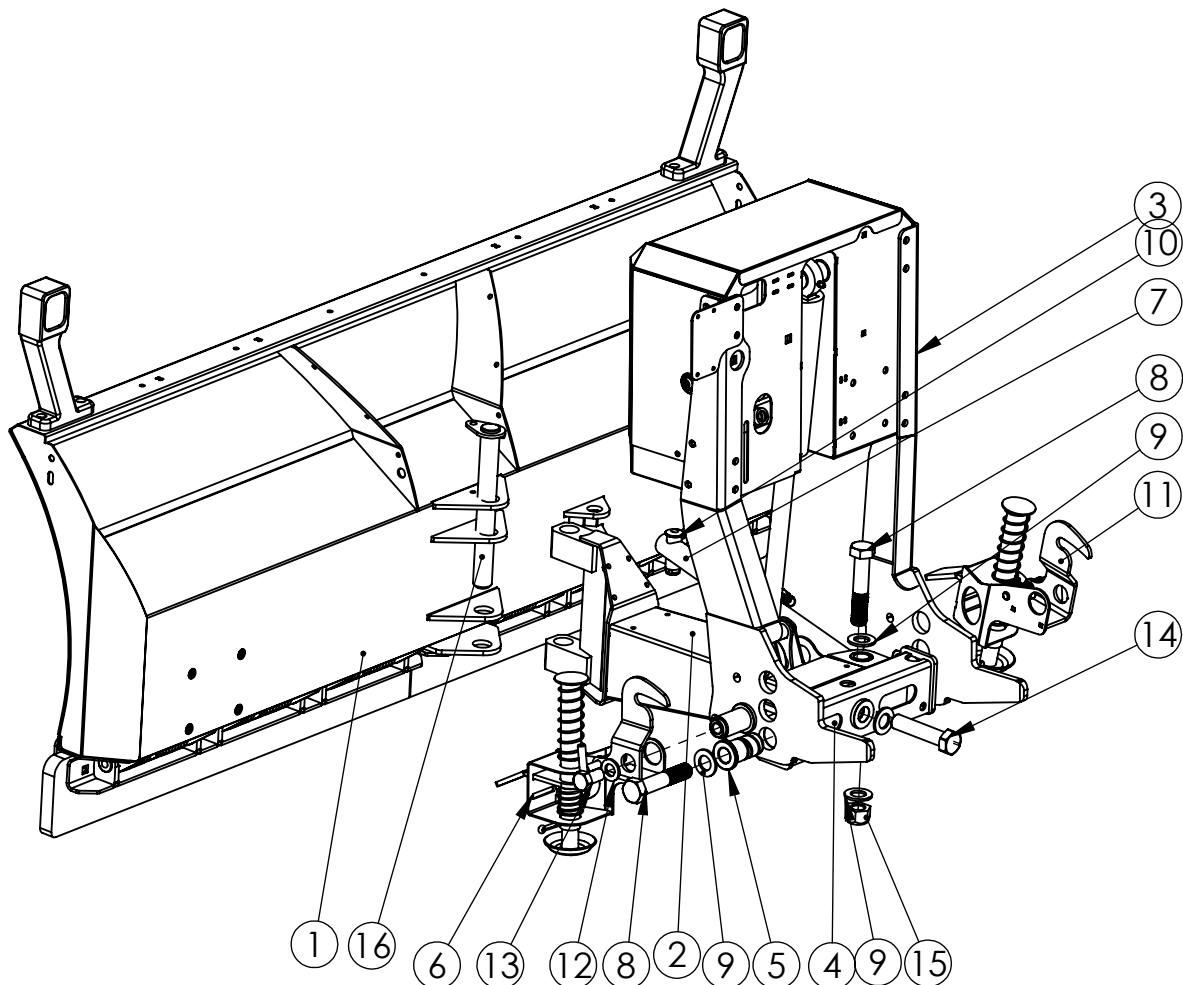
PARTS LIST

1450-1850 LS SNOWPLOW

SNOWPLOW ASSEMBLY.....	2
BLADE ASSEMBLY.....	3
PRE-ASSEMBLED LIFT UNIT.....	4
MOTOR VALVE UNIT.....	5
PUMP UNIT ASSEMBLY.....	6
VALVE BLOCK PRE-ASSEMBLY.....	7
PRE-ASSEMBLED LEG STAND.....	8
HARNESSES AND ELECTRICAL COMPONENTS.....	9
JOYSTICK.....	9
CONNECTORS.....	10-11

SNOWPLOW ASSEMBLY

Item	Qty	Part no.	Description	Notes
1	1	H44850	1450 LS Pre-assembled blade	See page 3
	1	H44851	1650 LS Pre-assembled blade	
	1	H44852	1850 LS Pre-assembled blade	
2	1	H44811	A-frame LS	
3	1	H44849	Pre-assembled lift unit	See page 4
4	1	H44823	Tilt beam LS	
5	2	H23396	Bush	
6	1	H44853	Pre-assembled leg stand left	See page 8
7	1	H23290	Angle cylinder	
8	3	HF12488	DIN 931/8.8ZN M20x100	
9	6	HF15134	Washer DIN 125 M20 ZN	
10	2	H23914	Pin	
11	1	H44854	Pre-assembled leg stand right	See page 8
12	2	HF15130	DIN 125 M16 ZN	
13	2	HF12704	DIN 933 8.8Zn M16x30	
14	1	HF12512	M20x90 DIN 931 8.8 Zn	
15	2	HF15078	Lock nut DIN985 8.8 Zn M20	
16	1	H44862	Centre pin	

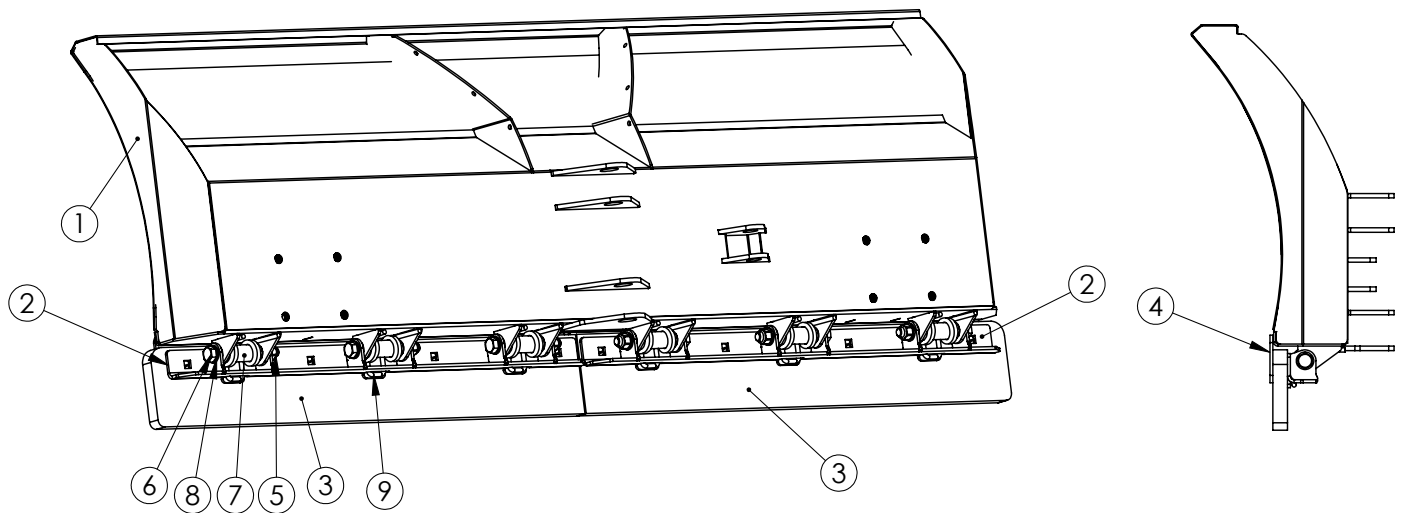


Drawing shows the SnowStriker™ 1450 LS

PRE-ASSEMBLED BLADE

Item	Qty	Part no.	1450 LS	1650 LS	1850 LS	Description	Notes
1	1	ssm*	H44870	H44824	H45801	Welded blade	
2	2	ssm*	H44868	H44839	H45800	Scraper bracket	
3	1	ssm*	H43918	H43919	H43920	Poly cutting edge kit	
	1	ssm*	H43915	H43916	H43917	Steel cutting edge kit	
4	2	ssm*	H44866	H44842	H45802	Scraper plate	
5	6	HF15068				Lock nut DIN 985/8 M12	
6	6	HF12415				Bolt M12x110 8.8 DIN931 ZN	
7	6	H44844				Bush	
8	24	HF15128				Washer DIN 125 ZN M12	
9	6	H44626				Torsion spring , Painted	

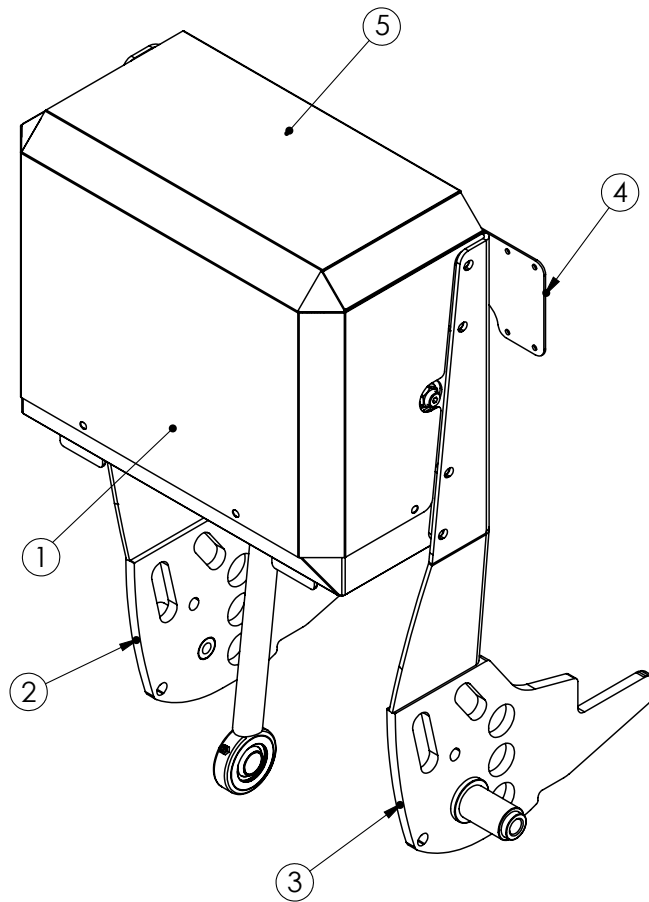
*ssm = see specific model



Drawing shows the SnowStriker™ 1450 LS

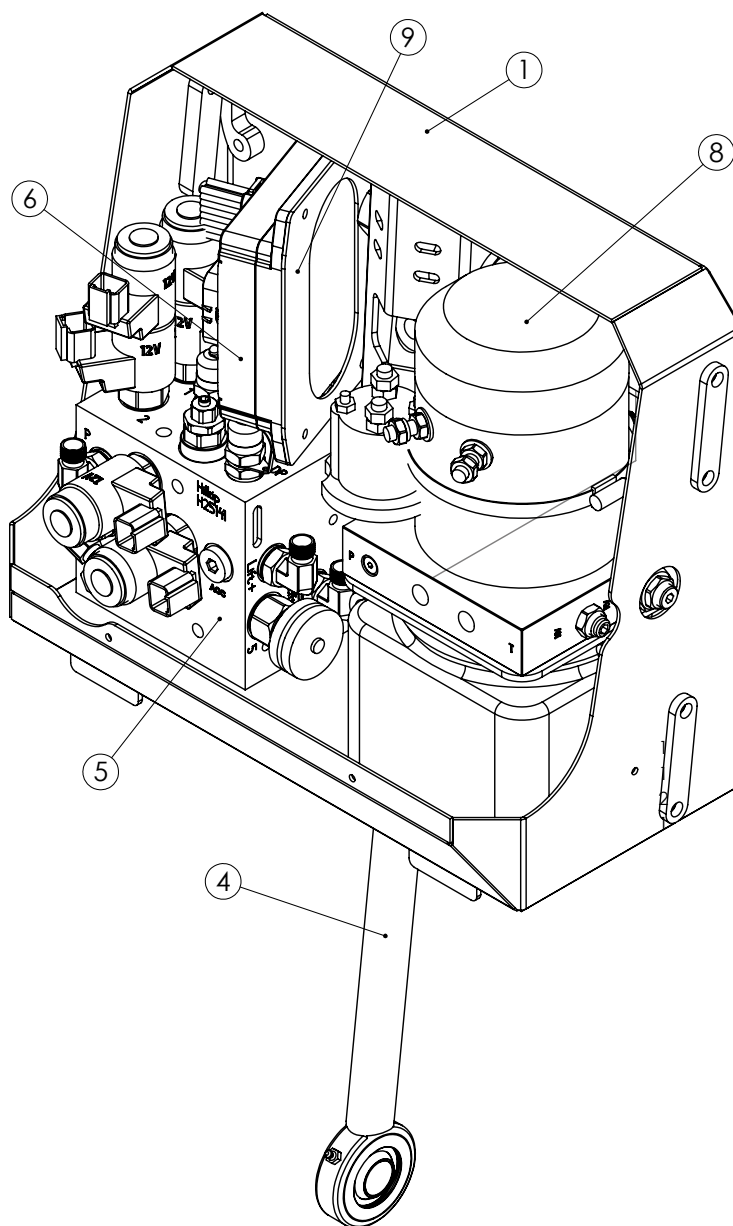
PRE-ASSEMBLED LIFT UNIT - H44849

Item	Qty	Part no.	Description	Notes
1	1	H44848	Motor valve unit	See page 5
2	1	H44801	Bracket frame, right	
3	1	H44805	Bracket frame, left	
4	1	H44951	Plate	
5	1	H44971	Cover	



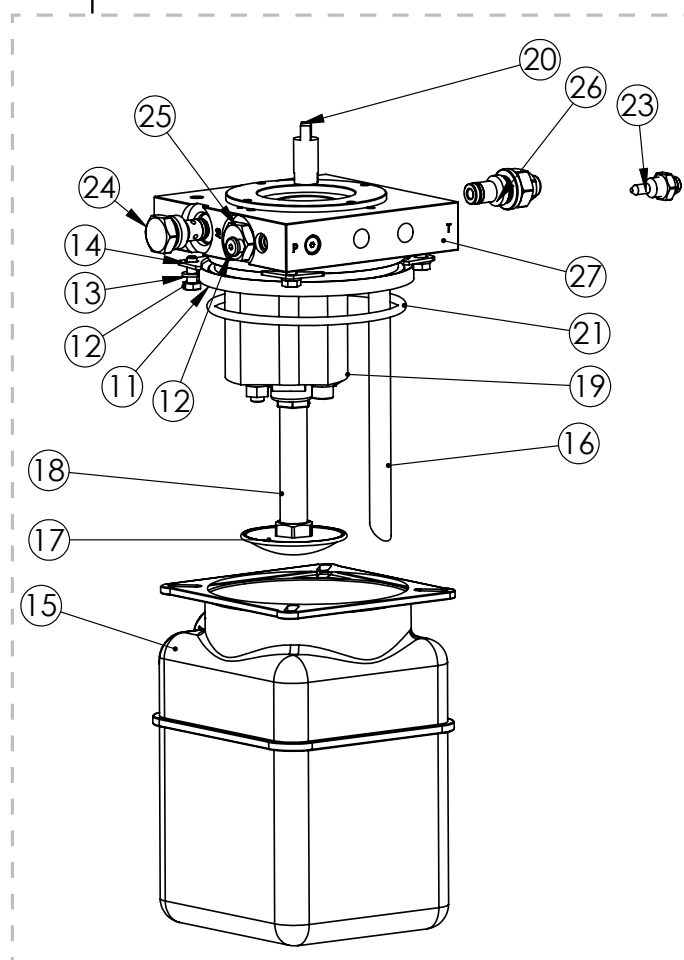
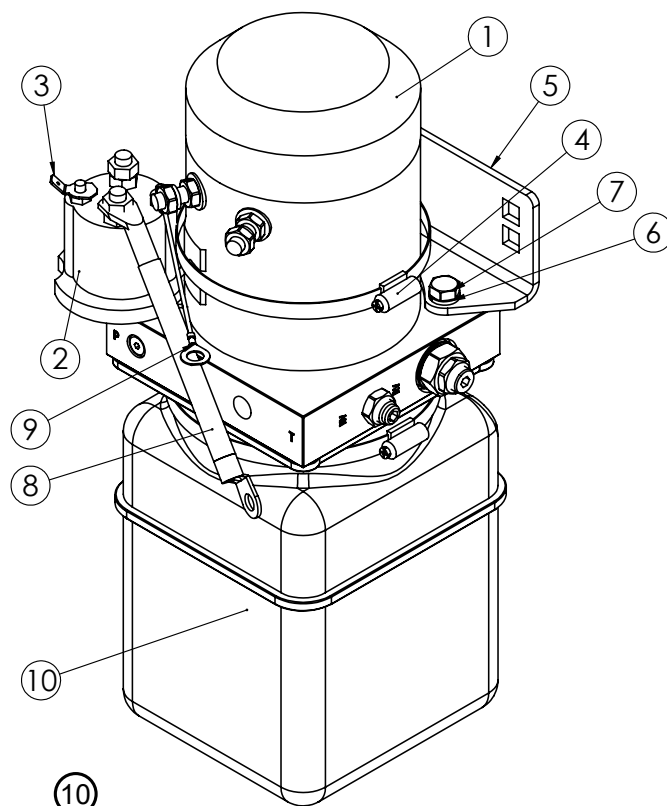
MOTOR VALVE UNIT - H44848

Item	Qty	Part no.	Description	Notes
1	1	H44807	Motor box	
2	2	H24500	Bush	
3	1	HF12489	M20x110 DIN 931 8.8 Zn	
4	1	H44800	Cylinder lift	
5	1	H25971	Valve unit pre-assembly	See page 7
6	1	H23939	Plow module	
7	2	H23941	Plow cable harness	
8	1	H41717	Pump unit assembly 12V	See page 6
	1	H41717_24	Pump unit assembly 24V	
9	1	H44845	Bracket	



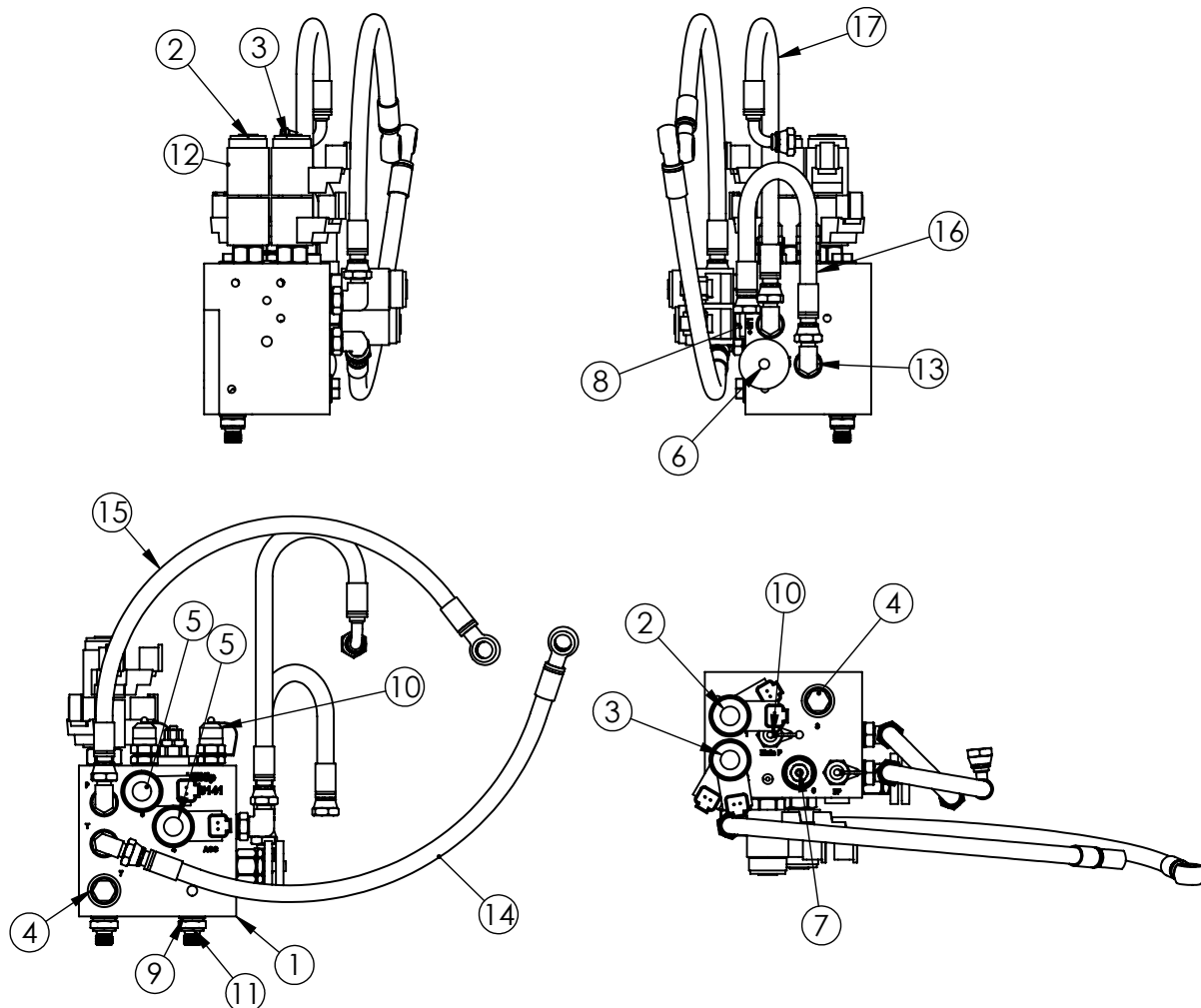
PUMP UNIT ASSEMBLY 12V - H41717 24V - H41717_24

Item	Qty	Part no.	Description
1	1	H30474	Electric motor 12V
	1	H30475	Electric motor 24V
2	1	H24517	Start solenoid
3	1	H30525	Spade connector
4	1	H41790	Hose clamp 110-130mm
5	1	H24706	Pump bracket
6	2	HF10502	DIN 127B M8 A4
7	2	HF10743	Hex Bolt M8x20
8	1	H30526	Solenoid cable assembly 25mm ²
9	1	H30528	Solenoid cable assembly 1,5mm ²
10	1	H4224	2,5 l Tank pre assembly
11	1	H41791	Hose clamp 120-140mm
12	4	HF19445	DIN 933 A2 M6x16
13	4	HF19446	DIN 127 A2 M6
14	4	H41724	Tank washer
15	1	H41719	Plastic tank 2,5L
16	1	H41811	Return pipe
17	1	H41721	Suction strainer
18	1	H41810	Suction pipe
19	1	H41718	Pump
20	1	H41818	Pump adapter
21	1	H41817	O-Ring
22	2	H41816	Oil plug 5/16-24
23	1	H41815	Flow control valve
24	1	H41814	Check valve
25	1	H41813	Oil plug
26	1	H41812	Relief valve
27	1	H41720	Pump central manifold



VALVE UNIT PRE-ASSEMBLY- H25971

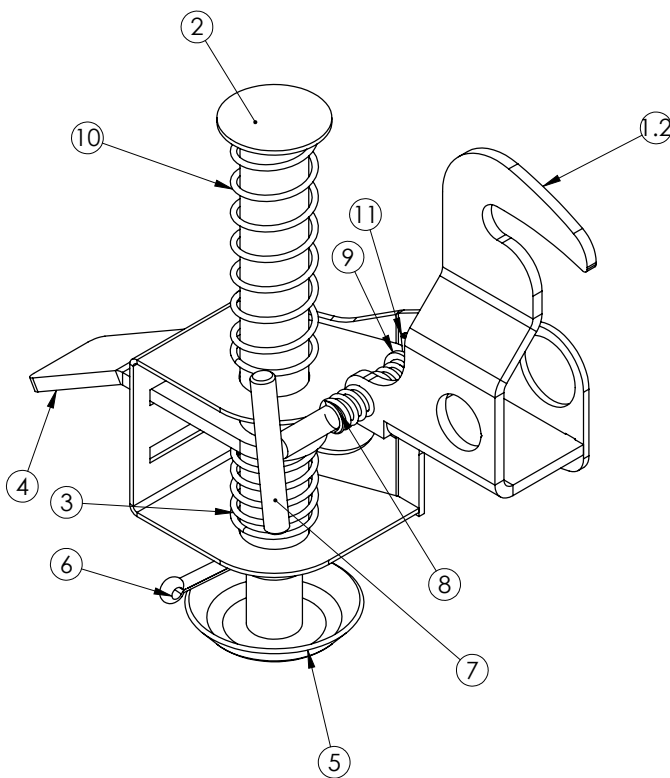
Item	Qty	Part no.	Description	Notes
1	1	H25141	Valve block	
2	1	H23276	Valve	
3	1	H23275	Valve	
4	2	H25121	Relief and Anticav. Valve	
5	2	H25120	2/2 Valve NC	
6	1	H23271	Flow valve	
7	1	H23277	Pressure relief valve	
8	1	HH14910	Plug	
9	2	HH13008	Sealing washer	
10	2	HH15837	Pressure gauge adaterM16x2- R1/8"	
11	2	HH14437	Straight adapter	
12	6	H23481	Coil 12V	
	6	H26103	Coil 24V	
13	4	HH14806	Elbow adapter	
14	1	H25355	Hydraulic hose P.T	
15	1	H25355	Hydraulic hose P.T	
16	1	H25357	Hydraulic hose Lift -	
17	1	H25356	Hydraulic hose Lift +	



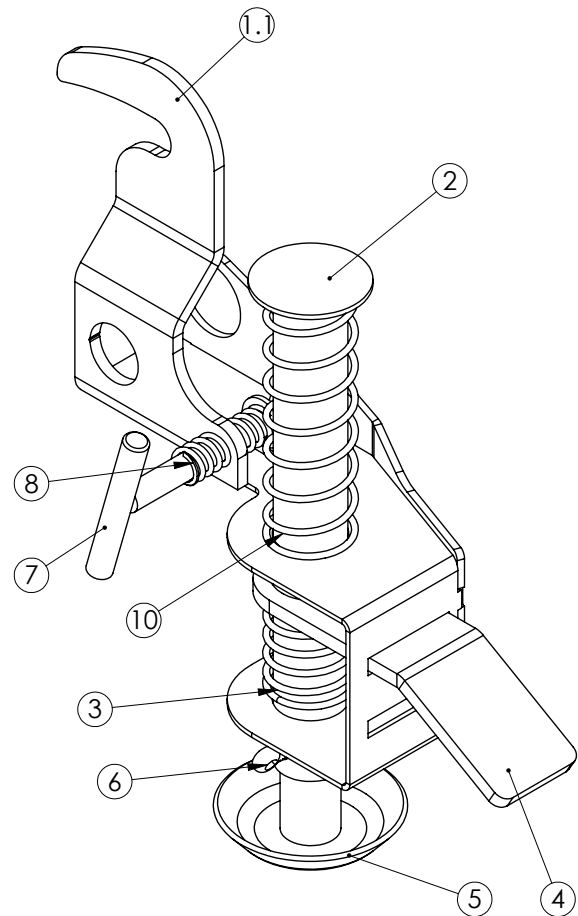
PRE-ASSEMBLED LEG STAND

Item	Qty	Part no.	Description	Notes
1.1	1	H44878	Welded leg RIGHT	
1.2	1	H44874	Welded leg LEFT	
2	1	H23616	Push down pipe	
3	1	H23766	Compression spring	
4	1	H23619	Lever push pin	
5	1	H23613	Leg stand	
6	1	HF19357	Pin DIN 94 6.3x40 A2	
7	1	H23623	Lock pin	
8	1	H23767	Compression spring	
9	1	HF10479	Washer DIN 125 M10 A4	
10	1	H23765	Compression spring	
11	1	HF19356	Pin ISO 13337 3,5x35 A2	

Pre-assembled leg stand LEFT - H44853



Pre-assembled leg stand RIGHT - H44854



HARNESSES

Part no.	Description
H25924	Vehicle side harness
H25925	Plow side harness

Part no.	Description
H25178	Plow valve harness - SP

JOYSTICK

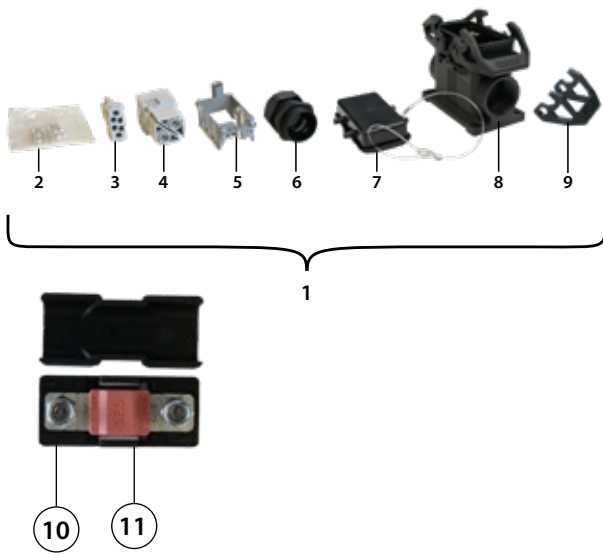
Determine the joystick version by looking at the serial number at the back of the joystick:

Version	Qty	Part no.	Description
8 →	1	H25271	Straight-blade joystick



CONNECTORS

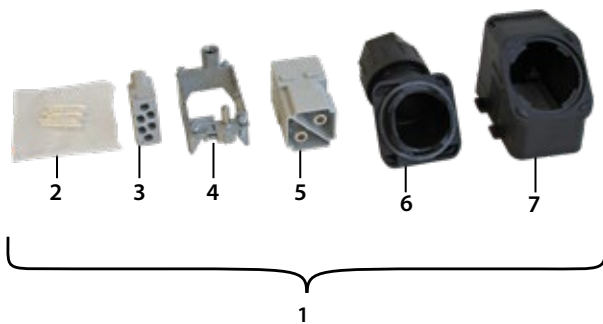
For plows without light kit



Item	Qty	Part no.	Description
1	1	H25750	Vehicle side harness connector(for plows without light kit)
2	1	H25825	Terminal kit (5 pcs 0,5mm ²)
3	1	H25762	Insert module
4	1	H25796	Insert module
5	1	H25763	Carrier frame
6	1	H25764	Cable gland
7	1	H25803	Cover
8	1	H25765	Housing
9	2	H30578	Double locking latch

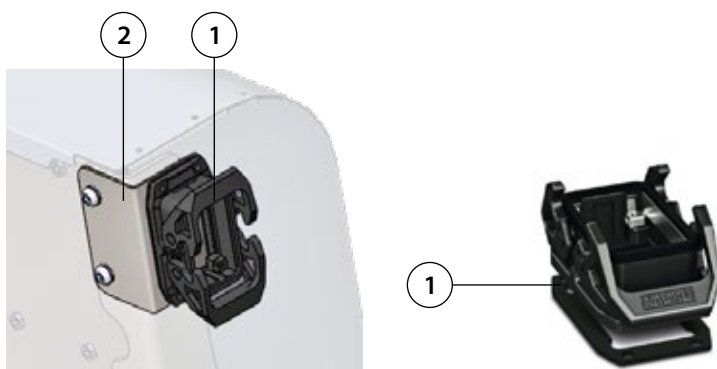
10	1	H26129	Fuse holder midval small
11	1	H22885	Fuse midval 125 A, pink

For plows without light kit

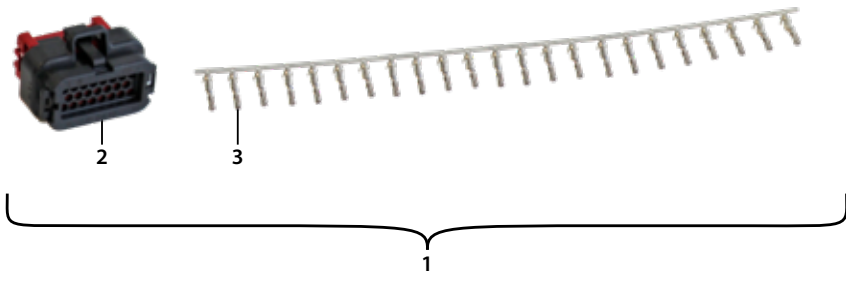


Item	Qty	Part no.	Description
1	1	H25751	Plow side harness connector (For plows without light kit)
2	1	H25823	Terminal kit (5 pcs 1,0 mm ²)
3	1	H25758	Insert module
4	1	H25759	Carrier frame
5	1	H25800	Insert module
6	1	H25760	Cable gland
7	1	H25828	Housing

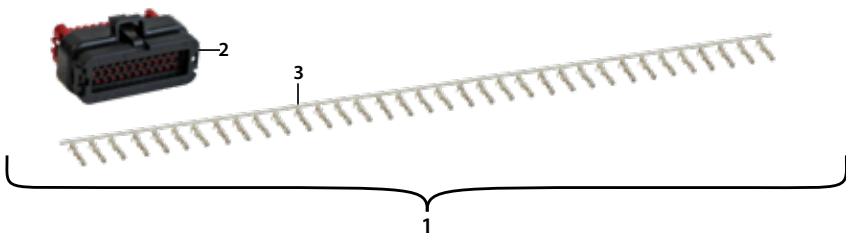
For plows without light kit



Item	Qty	Part no.	Description
1	1	H25766	Plow side harness connector holder (For plows without light kit)
2	1	H25453	Bracket



Item	Qty	Part no.	Description
1	1	H25746	Connector
2	1	H24128	Housing 23 pin
3	1	H25811	Female terminals (35 pcs)



Item	Qty	Part no.	Description
1	1	H25747	Connector
2	1	H21955	Housing 35 pin
3	1	H25811	Female terminals (35 pcs)



Oy Hilltip Ab

Pukkisaarentie 6
FIN-68600 Pietarsaari
Finland

📞 +358 50 5983 026

www.hilltip.com
info@hilltip.com