

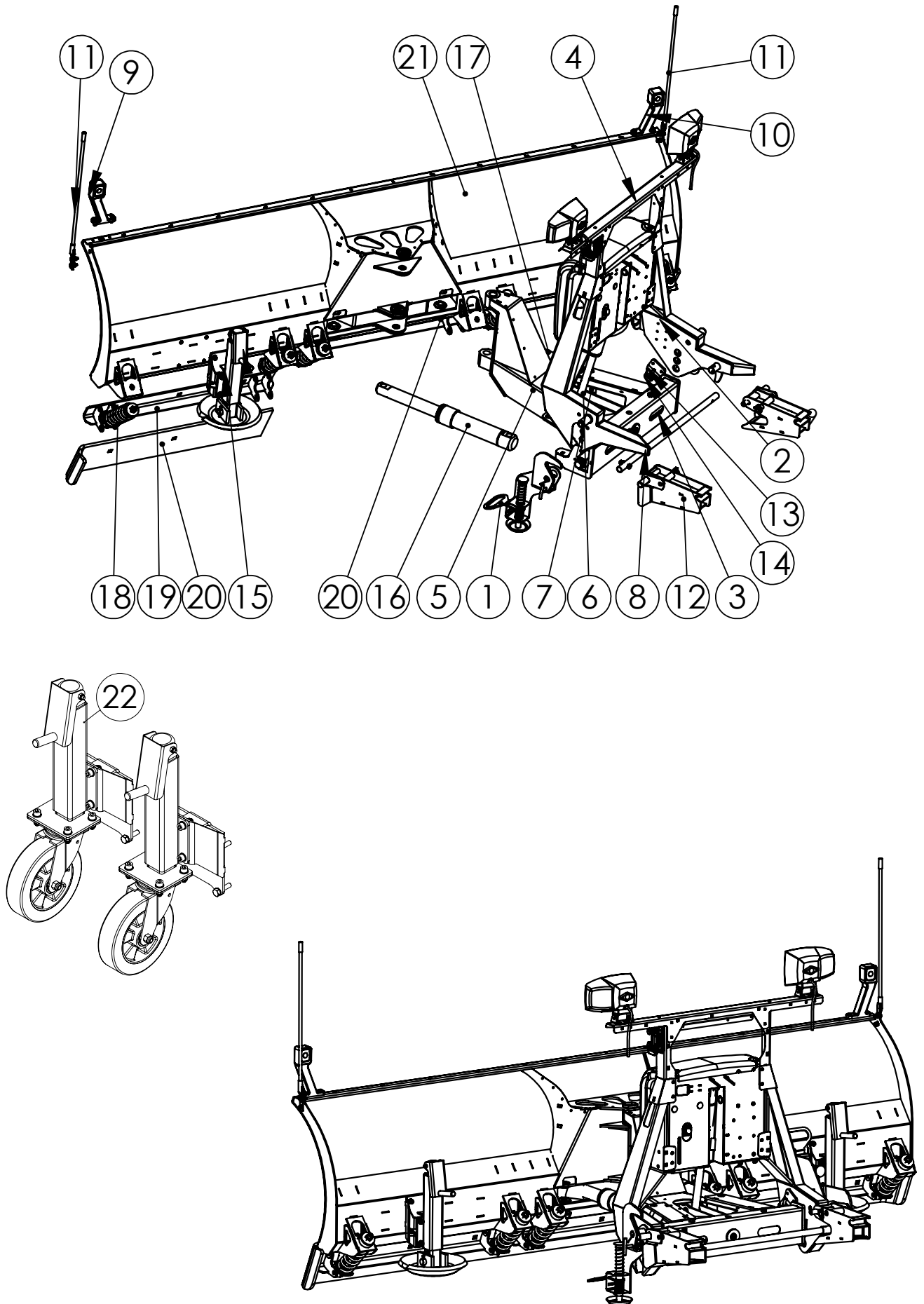


PARTS LIST

2600-3200 SMP/VMP V-PLOW

SNOWPLOW ASSEMBLY	2-5
LIFT UNIT	6
MOTOR VALVE UNIT	7-8
HYDRAULIC MANIFOLD ASSEMBLY	9-10
PLOW SHOE ASSEMBLY	11
PLOW WHEEL ASSEMBLY	12
SPRING ASSEMBLY	13
HARNESSES	14
LIGHT MODULS	14
JOYSTICK.....	14
CONNECTORS.....	15-17

SNOWPLOW ASSEMBLY 2600-3000 SMP

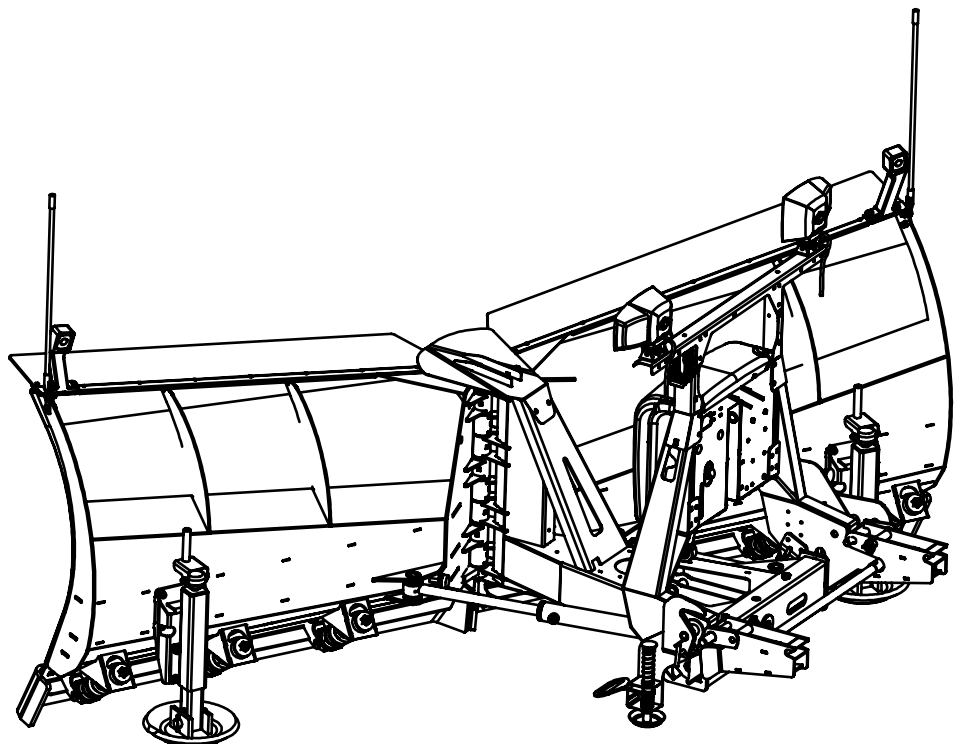
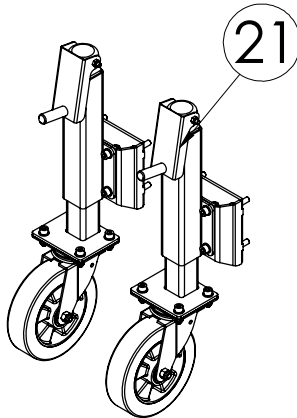
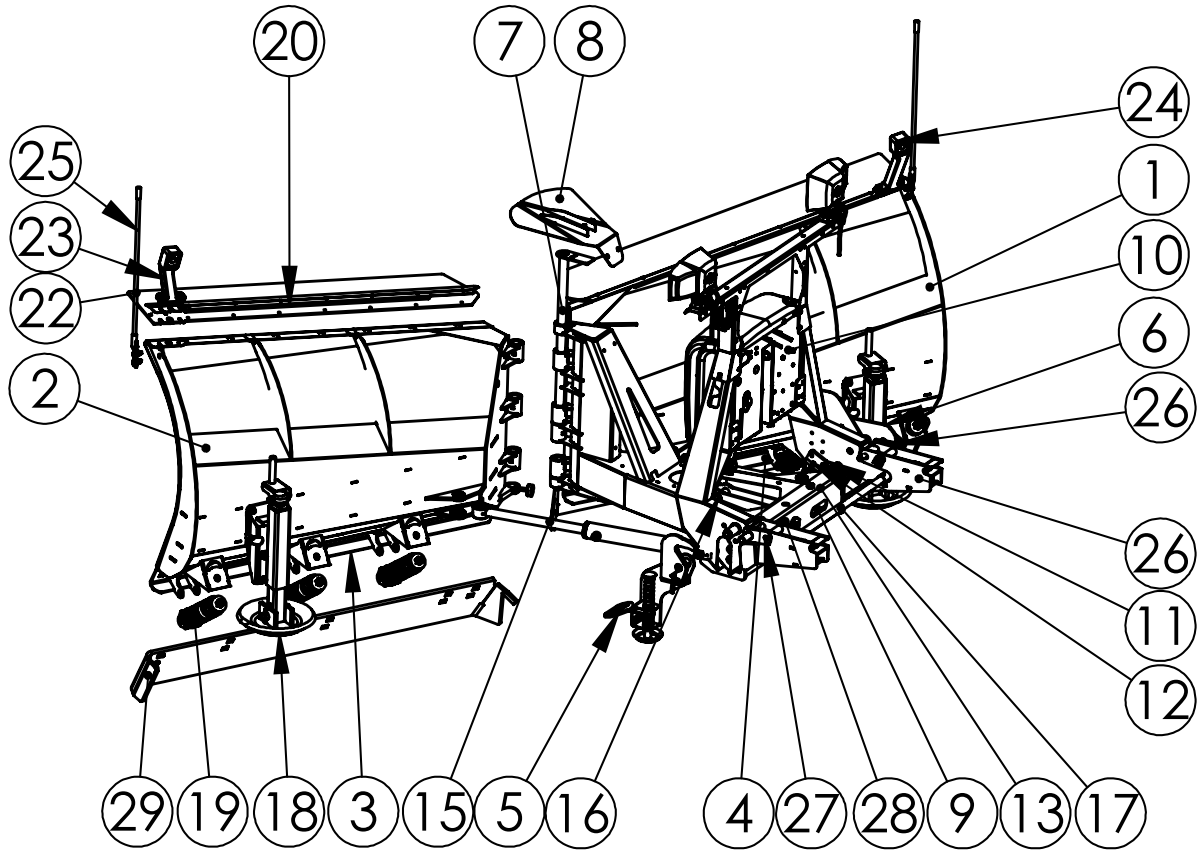


SNOWPLOW ASSEMBLY 2600-3000 SMP

Item	Qty	Part no.	2600 SMP	2750 SMP	3000 SMP	Description	Notes
1	1	H45167				Leg stand locking left	
2	1	H45168				Leg stand locking right	
3	1	H45136				Tilt beam bracket	
4	1	H46729				Pre-assembled lift unit	
5	1	H46710				A-Frame	
6	1	H45091				Lift cylinder	
7	1	H45177				Lift pin	
8	1	H45179				Center pipe	
9	1	H30787				LED edge marker assembly, left side	
10	1	H30788				LED edge marker assembly, right side	
11	2	H25965				Plow blade marker with bolts	
12	1	H45183				Receiver pockets	
13	1	H45178				Stopper plate	
14	1	H23783				Vibration damper	
15	2	H25770				Plow shoe assembly	Optional
16	2	H25616				Angel Cylinder	
18	6	H25588				Spring assembly	
19	3	ssm*	H26166	H25591	H26156	Scraper bracket	
20	1	ssm*	H25948	H29951	H25950	Steel cutting edge kit (HARDOX)	
	1	ssm*	H25951	H25952	H25953	Polyurethane edge kit with steel inlay	Optional
21	1	ssm *	H26164	H25594	H26151	Blade assembly	
22	2	H25771				Plow wheel assembly, 200 mm	Optional
ns*	1	ssm*	H25954	H25955	H25956	Snow deflector	Optional

*ssm = see specific model, ns = not shown

SNOWPLOW ASSEMBLY 2600-3200 VMP



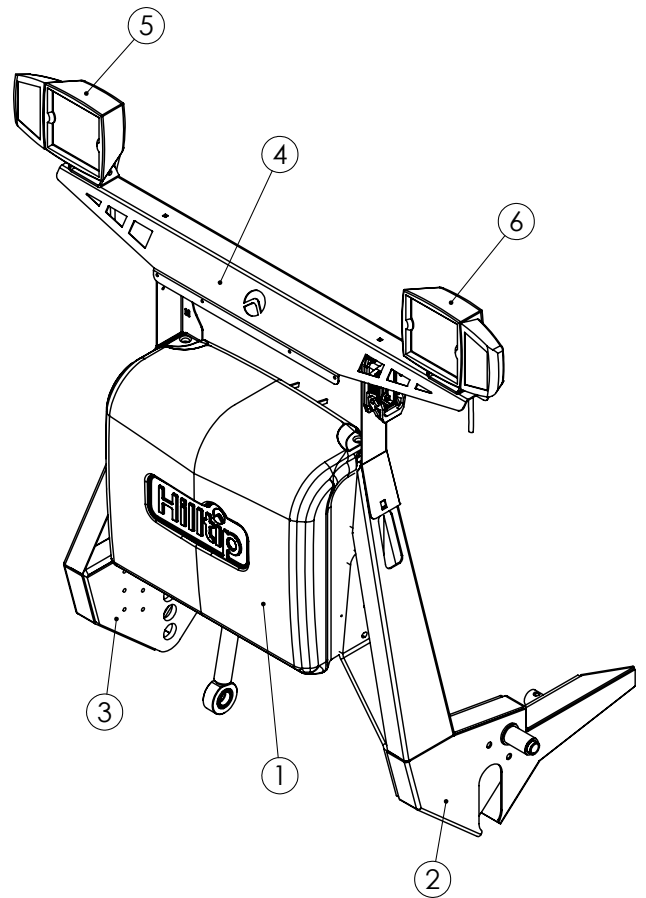
SNOWPLOW ASSEMBLY 2600-3200 VMP

Item	Qty	Part no.	2600 VMP	2900 VMP	3200 VMP	Description	Notes
1	1	ssm*	H43891	H42464	H43231	Right wing	
2	1	ssm*	H43890	H42455	H43230	Left wing	
3	1	ssm*	H45053	H45060	H47083	Scraper bracket left	
4	1	ssm*	H45054	H45062	H47084	Scraper bracket right	
5	1	H45167				Leg stand locking left	
6	1	H45168				Leg stand locking right	
7	1	H42481				Centre pin	
8	1	H42484				Deflector bracket	
9	1	H45136				Tilt beam bracket	
10	1	H45196				Pre-assembled lift unit	
11	2	H45178				Stopper plate	
12	4	H23783				Vibration damper	
13	1	H45140				A-Frame	
15	1	H45107				Angle Cylinder	
16	1	H45177				Lift pin	
17	1	H45179				Centre pipe	
18	2	H42493				Plow shoe assembly	Optional
19	6	H25588				Spring assembly	
20	1	H42487				Snow deflector bracket	
21	2	H43268				Plow wheel assembly, 200 mm	Optional
22	1	ssm*	H42503	H42504	H42505	Snow deflector kit	Optional
23	1	H30787				Side position lamp assembly left side	
24	1	H30788				Side position lamp assembly right side	
25	2	H25965				Plow blade marker with bolts	
26	1	H45183				Receiver pockets	
27	1	H45835				Pin bracket	
28	1	H22173				Locking pin	
29	1	ssm*	H42507	H42488	H42508	Steel cutting edge kit (Hardox)	
	1	ssm*	H42498	H42499	H42500	Polyurethane edge kit with steel inlay	Optional

*ssm = see specific model

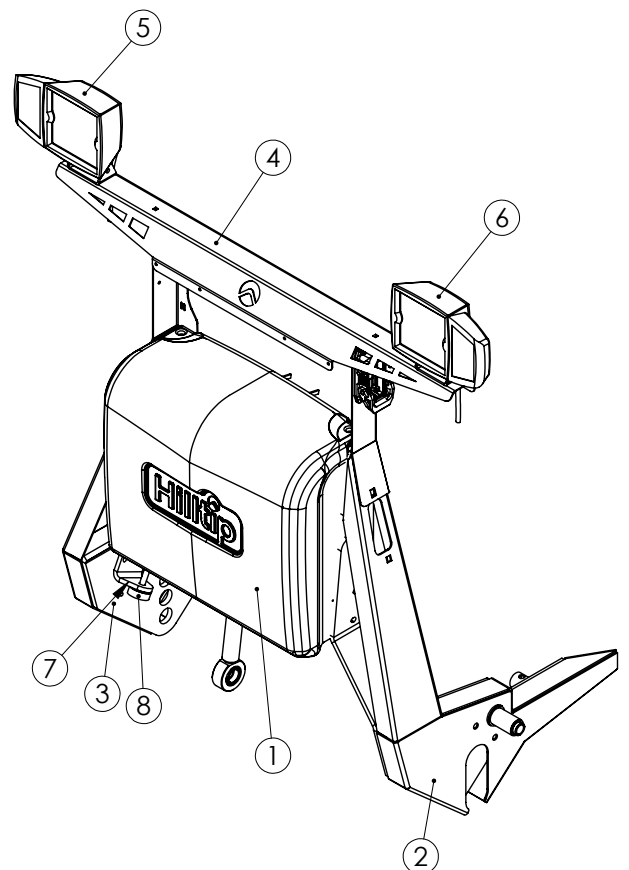
LIFT UNIT, SMP - H46729

Item	Qty	Part no.	Description
1	1	H46730	Motor Valve unit, SMP
2	1	H45119	Left leg
3	1	H45120	Right leg
4	1	H45195	Light bracket pre-assembly
5	1	H26686	LED Plow light, Passenger side
6	1	H26687	LED Plow light, Driver side



LIFT UNIT, VMP - H45196

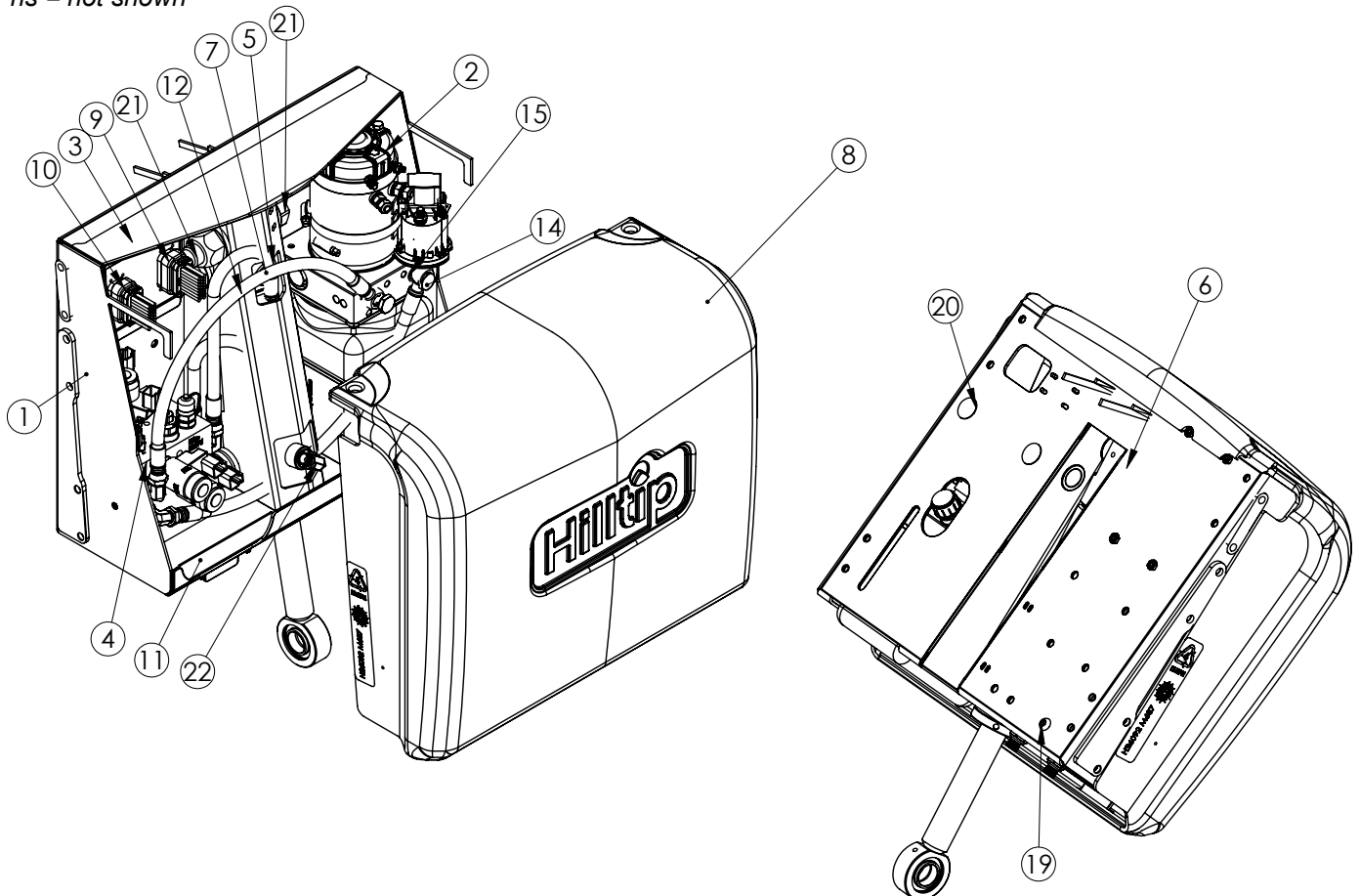
Item	Qty	Part no.	Description
1	1	H45161	Motor Valve unit, VMP
2	1	H45119	Left leg
3	1	H45120	Right leg
4	1	H45195	Light bracket pre-assembly
5	1	H26686	LED Plow light, Passenger side
6	1	H26687	LED Plow light, Driver side
7	2	H45178	Stopper plate
8	2	H23783	Vibration damper



MOTOR VALVE UNIT, SMP - H46730

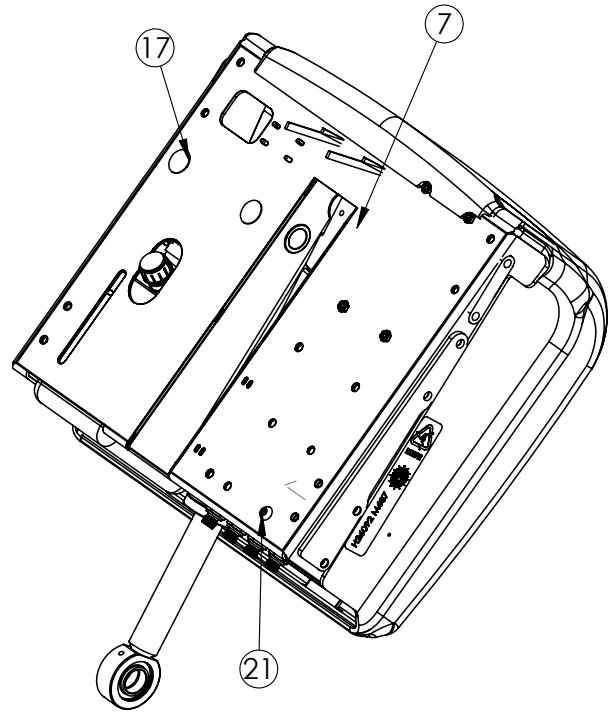
Item	Qty	Part no.	Description
1	1	H45162	Motor box
2	1	H23942	Pump unit
3	1	H23939	Plow module
4	1	H25971	Valve unit pre-assembly
5	2	H24706	Pump bracket
6	2	H45166	Centering pipe
7	1	H45091	Lift cylinder
8	1	H26092	Motor unit cover
9	1	H23940	Valve cable harness
10	1	H23941	Plow cable harness
11	1	H24786	Plate
12	1	HH14437	Straight adapter
ns*	1	HH13008	Sealing washer
14	2	HH11242	Banjo bolt 1/4"
15	4	HH13100	Cu washer 13,5/18
ns*	2	HF15370	Nut DIN 6926 M10x1,5 Zn 8
ns*	1	HF10508	Lock nut DIN 985 M24
ns*	1	HF12884	ISO 7380 M5x12 10.9 Zn
19	1	HF12896	ISO 7380 M8x20
20	2	HF13733	DIN 603 M10x25 8.8 Zn
21	1	HF12520	Bolt M24x120 DIN 931 8.8 Zn
22	1	HH14806	90 deg fitting
ns*	2	HF12877	ISO 7380 M4x10 10.9 Zn

*ns = not shown

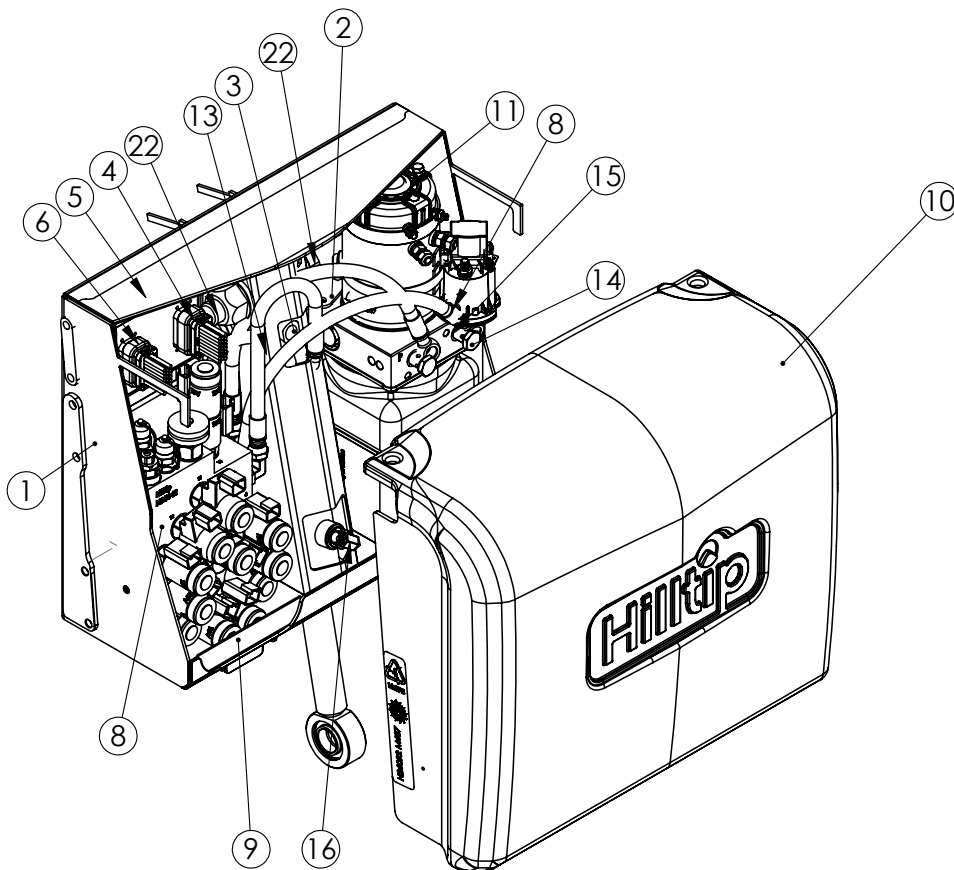


MOTOR VALVE UNIT, VMP - H45161

Item	Qty	Part no.	Description
1	1	H45162	Motor box
2	1	H23637	Pump bracket
3	1	H45091	Lift cylinder
4	1	H23940	Valve cable harness
5	1	H23939	Plow module
6	1	H23941	Plow cable harness
7	2	H45166	Centering pipe
8	1	H25869	Valve unit pre-assembly
9	1	H24786	Plate
10	1	H26092	Motor unit cover
11	1	H23942	Pump unit
ns*	1	HH13008	Sealing washer
13	1	HH14437	Straight adapter
14	2	HH11242	Banjo bolt 1/4"
15	4	HH13100	Cu washer 13,5/18
16	1	HH14806	90deg fitting
17	2	HF13733	DIN 603 M10x25 8.8 Zn
ns*	2	HF15370	Nut DIN 6926 M10x1,5 Zn 8
ns*	1	HF12884	ISO 7380 M5x12 10.9 Zn
ns*	2	HF12877	ISO 7380 M4x10 10.9 Zn
21	1	HF12896	ISO 7380 M8x20
22	1	HF12520	Bolt M24x120 DIN 931 8.8 Zn
ns*	1	HF10508	Lock nut DIN 985 M24

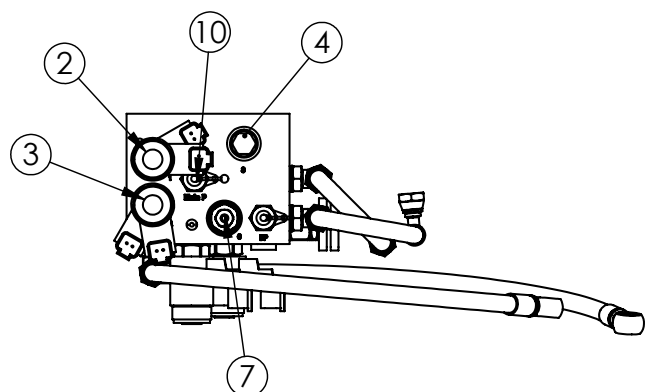
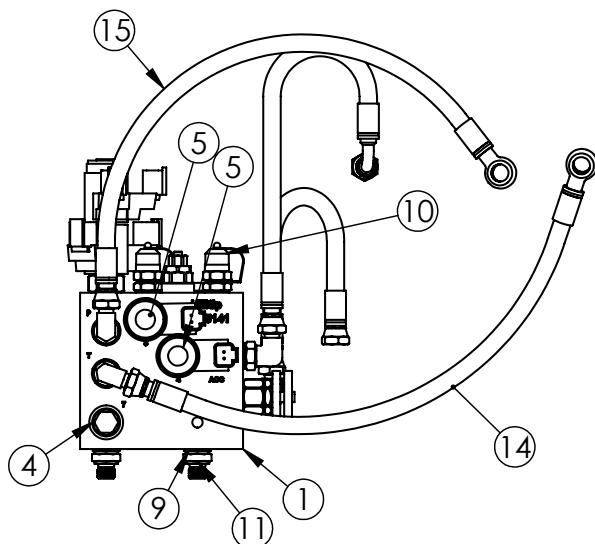
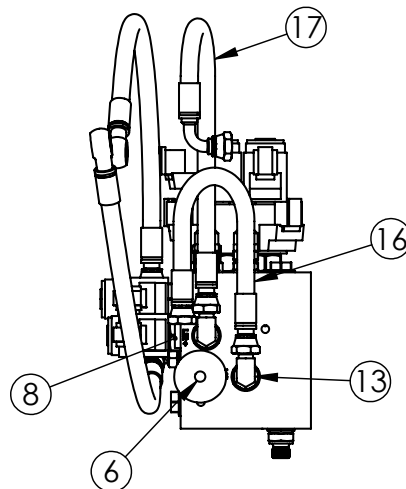
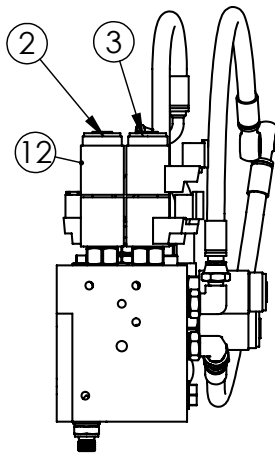
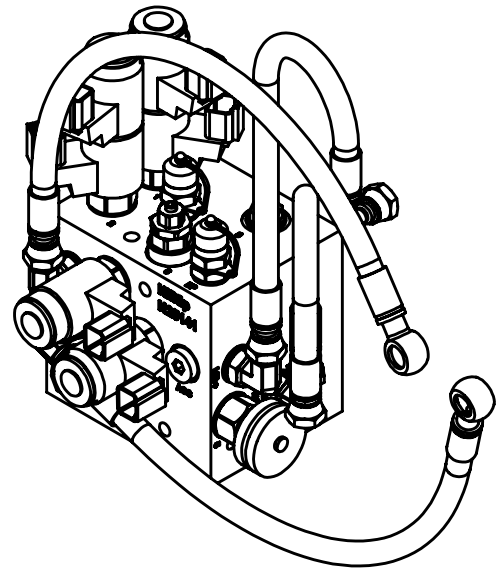


*ns = not shown



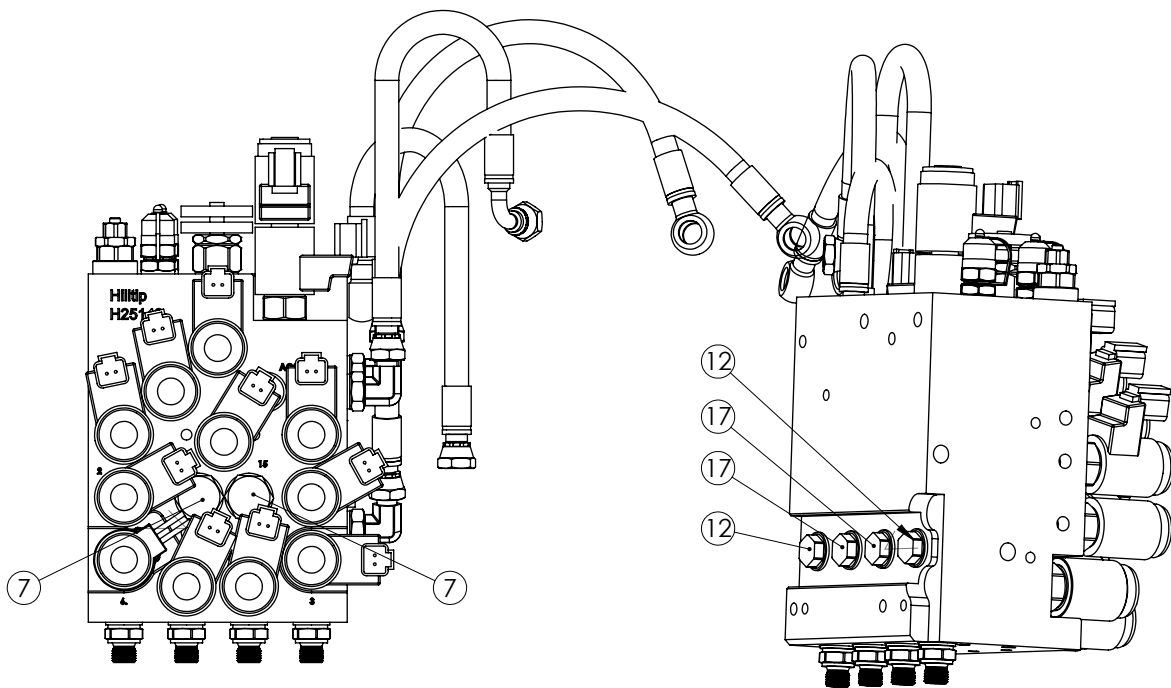
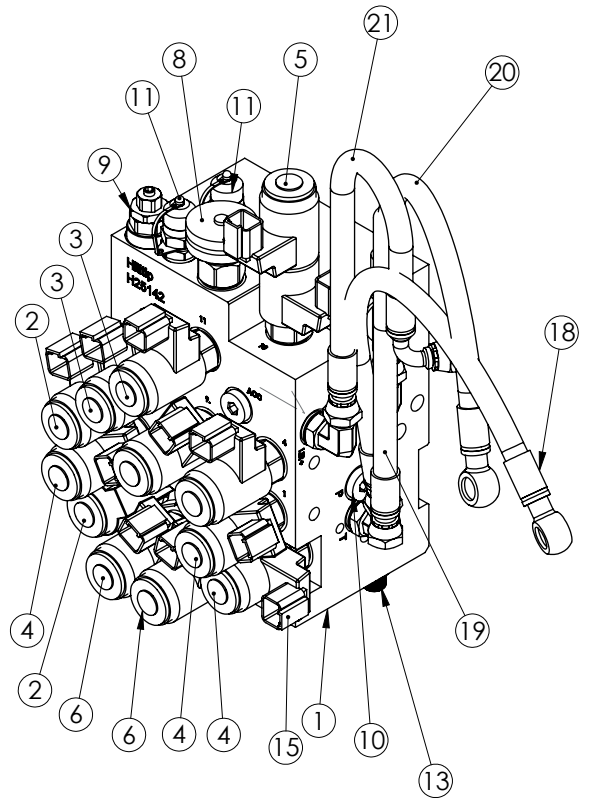
HYDRAULIC MANIFOLD ASSEMBLY, SMP - H25971

Item	Qty	Part no.	Description
1	1	H25141	Valve block
2	1	H23276	Valve
3	1	H23275	Valve
4	2	H25121	Relief and Anticav. Valve
5	2	H25120	2/2 Valve NC
6	1	H23271	Flow valve
7	1	H23277	Pressure relief valve
8	1	HH14910	Plug
9	2	HH13008	Sealing washer
10	2	HH15837	Pressure gauge adaterM16x2- R1/8"
11	2	HH14437	Straight adapter
12	6	H23481	Coil 12V
	6	H26103	Coil 24V
13	4	HH14806	Elbow adapter
14	1	H25355	Hydraulic hose P.T
15	1	H25355	Hydraulic hose P.T
16	1	H25357	Hydraulic hose Lift -
17	1	H25356	Hydraulic hose Lift +



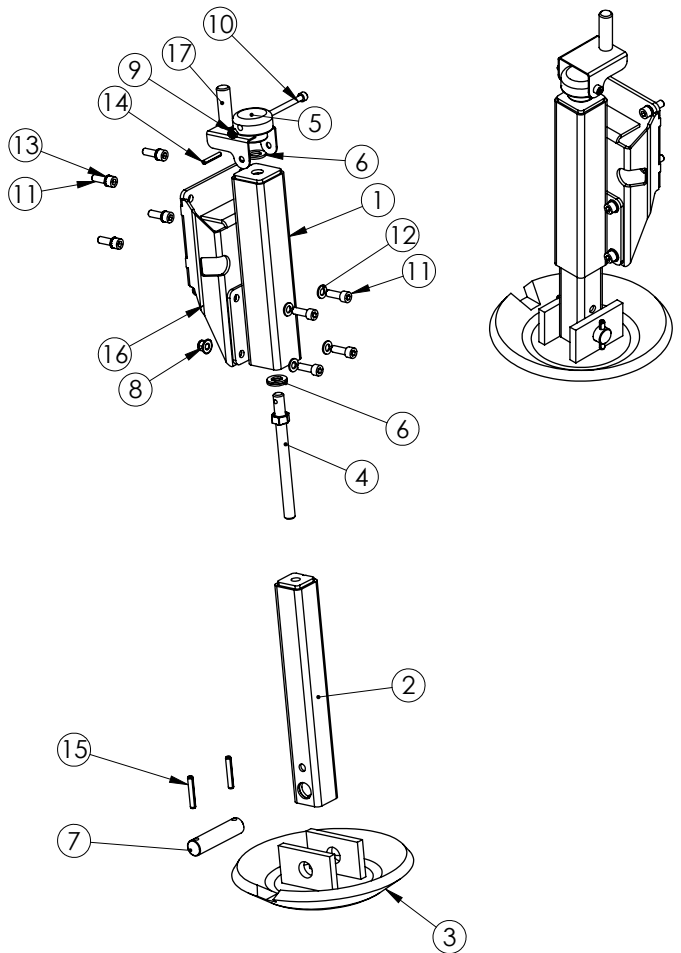
HYDRAULIC MANIFOLD ASSEMBLY, VMP - H25869

Item	Qty	Part no.	Description
1	1	H25142	Valve block
2	4	H25119	Valve 2/2 NC
3	2	H25120	2/2 Valve NC
4	3	H25118	Valve 2/2 NO
5	1	H23275	Valve
6	2	H25117	Valve 2/2 NC
7	2	H25116	One-way valve
8	1	H23271	Flow valve
9	1	H23277	Pressure relief valve
10	2	HH14910	Plug
11	2	HH15837	Pressure gauge adaterM16x2- R1/8"
12	2	H23963	Relief and Anticav. Valve 220
13	4	HH14437	Straight adapter
14	4	HH13008	Sealing washer
15	13	H23481	Coil 12V
	13	H26103	Coil 24V
16	3	HH14806	90 deg fittin
17	2	H22400	Relief and Anticav. Valve 180
18	1	H25361	Hose assembly
19	1	H25362	Hose assembly
20	1	H25364	Hose assembly </td
21	1	H25363	Hose assembly



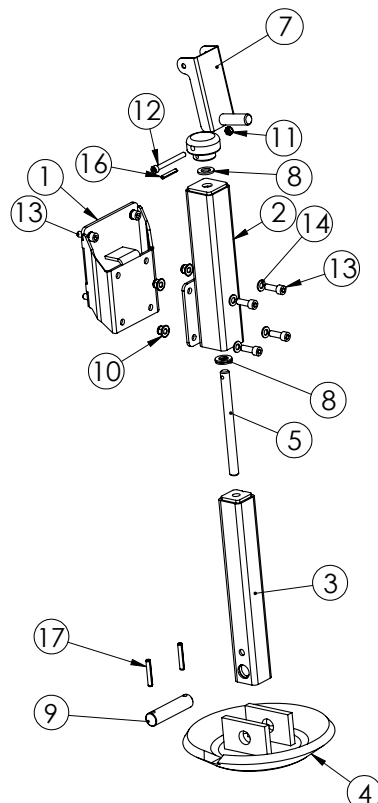
PLOW SHOE ASSEMBLY, VMP - H42493

Item	Qty	Part no.	Description
1	1	H25778	Outer pipe
2	1	H25781	Inner pipe
3	1	H20799	270mm wear shoe
4	1	H25788	Adjustment Bar
5	1	H25793	Top nut
6	3	HF15130	DIN 125 M16 ZN
7	1	H25792	Pin Ø25-105
8	4	HF15370	Nut DIN 6926 m10x1,5 Zn 8
9	1	HF15100	Lock nut DIN985 8,8Zn M8
10	1	HF12200	DIN 912 8.8Zn M8x80
11	8	HF12017	Bolt DIN912 8.8ZN M10x30
12	4	HF15127	Washer DIN 125 M10
13	4	HF15213	Nord-lock M10
14	1	HF16413	Spring pin DIN 1481 6x40
15	2	HF16180	Spring pin DIN 1481 8x50
16	1	H42490	Plow shoe distance bracket
17	1	H42495	Handle short



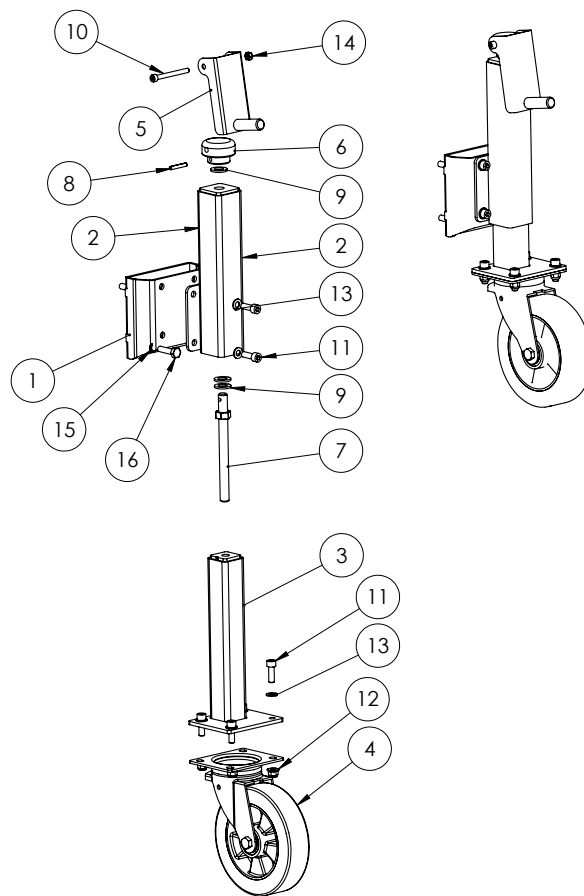
PLOW SHOE ASSEMBLY, SMP - H25770

Item	Qty	Part no.	Description
1	1	H25772	Bracket
2	1	H25778	Outer pipe
3	1	H25781	Inner pipe
4	1	H20799	Wear shoe 270mm
5	1	H25788	Adjustment Bar
6	1	H25793	Top nut
7	1	H25790	Handle
8	3	HF15130	DIN 125 M16 ZN
9	1	H25792	Pin
10	4	HF15370	Nut DIN 6926 m10x1,5 Zn 8
11	1	HF15100	Lock nut DIN985 8,8Zn M8
12	1	HF12200	DIN 912 8.8Zn M8x80
13	8	HF12017	Bolt DIN912 8.8ZN M10x30
14	4	HF15127	Washer DIN 125 M10
15	4	HF15213	Nord-lock M10
16	1	HF16413	Spring pin DIN 1481 6x40
17	2	HF16180	Spring pin DIN 1481 8x50



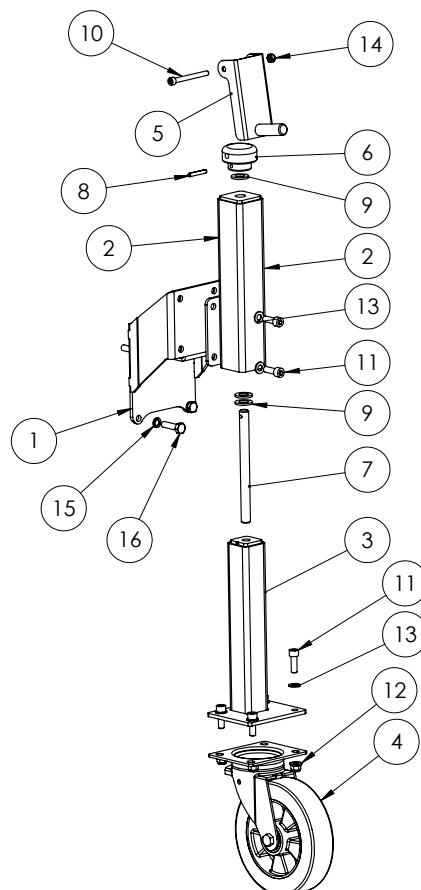
PLOW WHEEL ASSEMBLY, VMP - H42506

Item	Qty	Part no.	Description
1	1	H43265	Plow wheel distance bracket
2	1	H25778	Outer pipe
3	1	H25785	Inner pipe for wheel
4	1	H25805	Wheel 200mm
5	1	H25790	Handle
6	1	H25793	Top nut Ø60-40
7	1	H25788	Adjustment Bar
8	1	HF16413	Spring pin DIN 1481 6x40
9	3	HF15130	DIN 125 M16 ZN
10	1	HF12200	DIN 912 8.8Zn M8x80
11	8	HF12017	Bolt DIN912 8.8ZN M10x30
12	8	HF15370	Nut DIN 6926 m10x1,5 Zn 8
13	8	HF15127	Washer DIN 125 M10
14	1	HF15100	Lock nut DIN985 8,8Zn M8
15	4	HF15213	Nord-lock M10
16	4	HF12655	Bolt M10x40 DIN933



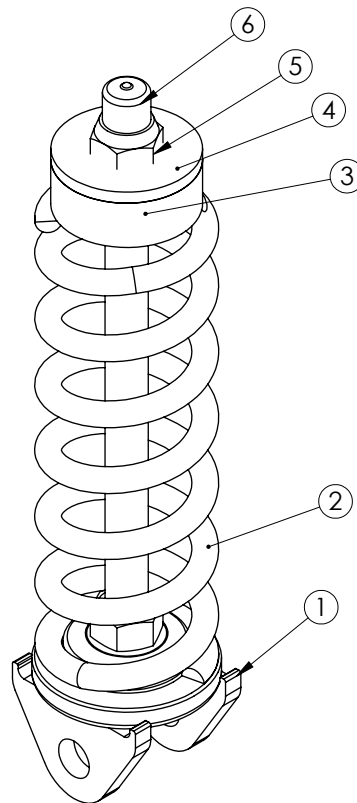
PLOW WHEEL ASSEMBLY, SMP - H25771

Item	Qty	Part no.	Description
1	1	H25775	Bracket
2	1	H25778	Outer pipe
3	1	H25785	Inner pipe for wheel
4	1	H25805	Wheel 200mm
5	1	H25790	Handle
6	1	H25793	Top nut
7	1	H25788	Adjustment Bar
8	1	HF16413	Spring pin DIN 1481 6x40
9	3	HF15130	DIN 125 M16 ZN
10	1	HF12200	DIN 912 8.8Zn M8x80
11	8	HF12017	Bolt DIN912 8.8ZN M10x30
12	8	HF15370	Nut DIN 6926 m10x1,5 Zn 8
13	8	HF15127	Washer DIN 125 M10
14	1	HF15100	Lock nut DIN985 8,8Zn M8
15	4	HF15213	Nord-lock M10
16	4	HF12655	Bolt M10x40 DIN933



SPRING ASSEMBLY - H25588

Item	Qty	Part no.	Description
1	1	H25587	Spring bracket pre-assembled
2	1	H46174	Compression spring 10x48x230
3	1	H28645	Spring dampener PUR
4	1	HF15321	Washer DIN 440 ZN M16
5	1	HF15074	Lock nut DIN985 ZN M16
6	1	H25590	Flexicap 16mm



HARNESSES

Part no.	Description
H30591	Vehicle side harness VMP and SMP plows with Deutsch connectors
H25336	Plow side harness - VMP (Deutsch connector)
H24191	Plow side harness - SMP (Deutsch connector)
H23941	VMP & SMP Plow side harness (AMP connector)



Deutsch

Part no.	Description
H25177	Plow valve harness - V-plow (Block version 2)
H25178	Plow valve harness - SMP
H23706	Plow valve harness - VMP (Block version 1)



AMP

LIGHT MODULES

Part no.	Description	Brand
H25283	IR & IA DL, Isolation Relay system	Ford Ranger / Transit
H25190-1		Nissan Navara D23 / MB-X /Renault Alaska (with LED or Xenon)
H26106	For Toyota Hilux with LED	Toyota Hilux
H27177		Volkswagen T6
H24791-3	NSR & IA DL	All other brands
H25360-1	Com. pos. vehicle with LED plow lights	Jimny, Piaggio, DFSK
H26314	NSR & IA DL 24V	



JOYSTICK

Determine the joystick version by looking at the serial number at the back of the joystick:

Straight blade

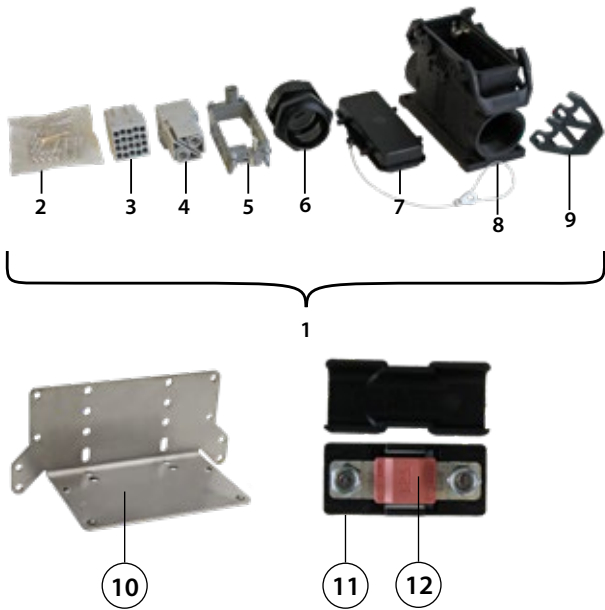
Version	Qty	Part no.	Description
8 →	1	H25271	Straight-blade joystick

V-plow

Version	Qty	Part no.	Description
10 →	1	H25377	V-plow joystick
1 →	1	H30504	Joystick V-plow with tip button (Quick-movement function)

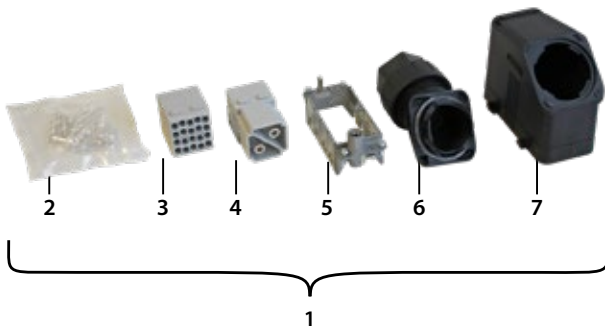


CONNECTORS



Item	Qty	Part no.	Description
1	1	H25748	Vehicle side harness connector
2	1	H25822	Terminal kit (5 pcs 0.5mm ² + 15 pcs 1,5 mm ²)
3	1	H25795	Insert module
4	1	H25796	Insert module
5	1	H25797	Carrier frame
6	1	H25757	Cable gland 40x1,5
7	1	H25798	Cover
8	1	H25799	Housing
9	2	H30578	Double locking latch

10	1	H23738	Bracket
11	1	H26129	Fuse holder midval small
12	1	H22885	Fuse midval 125 A, pink

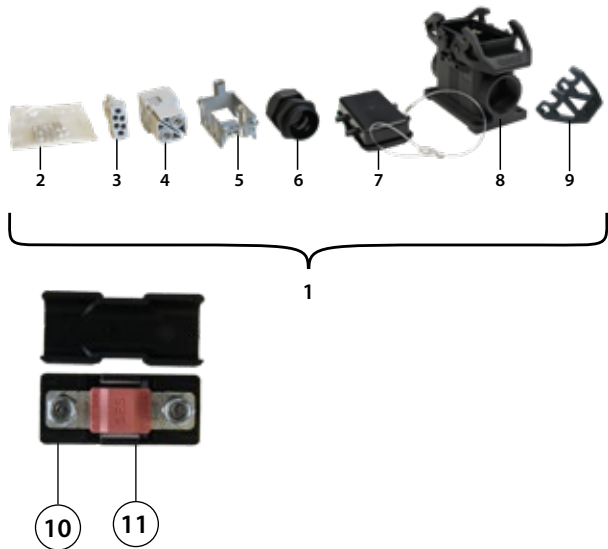


Item	Qty	Part no.	Description
1	1	H25749	Plow side harness connector
2	1	H25824	Terminal kit (20 pcs 1,5 mm ²)
3	1	H25801	Insert module
4	1	H25800	Insert module
5	1	H25802	Carrier frame
6	1	H25756	Cable gland
7	1	H25810	Housing



Item	Qty	Part no.	Description
1	1	H25767	Plow side harness connector holder

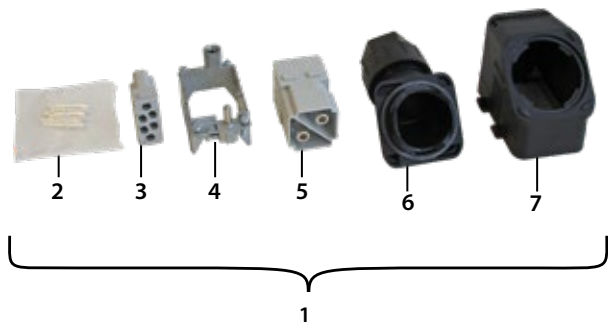
For plows without light kit



Item	Qty	Part no.	Description
1	1	H25750	Vehicle side harness connector (for plows without light kit)
2	1	H25825	Terminal kit (5 pcs 0,5mm ²)
3	1	H25762	Insert module
4	1	H25796	Insert module
5	1	H25763	Carrier frame
6	1	H25764	Cable gland
7	1	H25803	Cover
8	1	H25765	Housing
9	2	H30578	Double locking latch

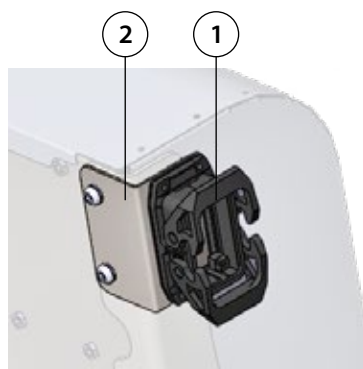
10	1	H26129	Fuse holder midval small
11	1	H22885	Fuse midval 125 A, pink

For plows without light kit



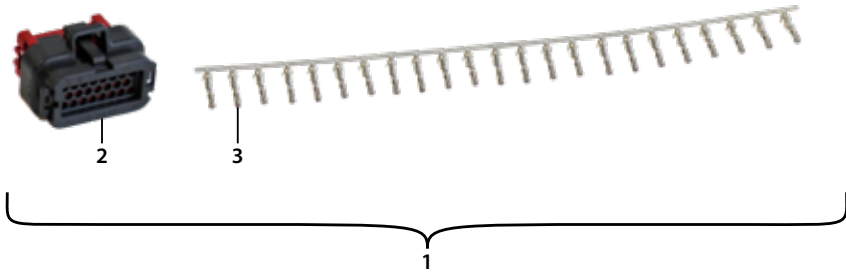
Item	Qty	Part no.	Description
1	1	H25751	Plow side harness connector (For plows without light kit)
2	1	H25823	Terminal kit (5 pcs 1,0 mm ²)
3	1	H25758	Insert module
4	1	H25759	Carrier frame
5	1	H25800	Insert module
6	1	H25760	Cable gland
7	1	H25828	Housing

For plows without light kit

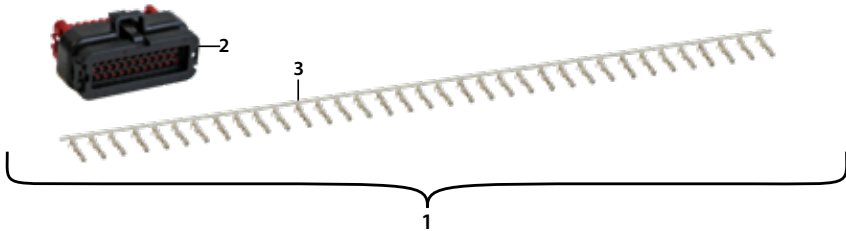


Item	Qty	Part no.	Description
1	1	H25766	Plow side harness connector holder (For plows without light kit)
2	1	H25453	Bracket





Item	Qty	Part no.	Description
1	1	H25746	Connector
2	1	H24128	Housing 23 pin
3	1	H25811	Female terminals (35 pcs)



Item	Qty	Part no.	Description
1	1	H25747	Connector
2	1	H21955	Housing 35 pin
3	1	H25811	Female terminals (35 pcs)



Oy Hilltip Ab
Pukkisaarentie 6
68600 Pietarsaari
Finland

www.hilltip.com
info@hilltip.com