



SPREADER MOUNTS

120-300 LITER TAILGATE SPREADER
(US 45-100 TAILGATE SPREADER)

TABLE OF CONTENTS

| | |
|---|----|
| H26984 - Tow hitch mount, bolted | 3 |
| H26679 - Tow hitch mount, J-type | 4 |
| H40296 - 2" Receiver hitch mount. | 5 |
| H28688 - 2.5" Receiver hitch mount kit | 6 |
| H29623 - 2" Tailgate hitch | 6 |
| H27976 - Tow hitch bolted mount kit, height adjustable | 7 |
| H26985 - Pickup- EU tow/tailgate hitch | 8 |
| H27100 - Swing away mount, bolted AL-KO hitch/ Jimny | 9 |
| H26678 - 3-point hitch, Cat 0. | 10 |
| H26707 - 3-point hitch, Cat 1. | 11 |
| H26986 - 3-point hitch, Cat 2. | 12 |
| H27246 - Suzuki Jimny Tow/ Spare wheel tailgate mount | 13 |
| H26655 - Wheel loader / Fork lift 32mm Pin hitch, adjustable. Height adjustment, Kramer Allrad | 14 |
| H27241 - Wheel loader / Fork lift 45mm Pin hitch, adjustable. Height adjustment, JCB 409 | 15 |
| H27864 - Norcar A-serie spreader mount | 16 |
| H27207 - Avant & Multione Spreader mount | 17 |
| H27201 - HAKO CM 600/1250/1600 mount | 18 |
| H27356 - Forklift mount. | 19 |
| H40667 - UTV mount kit | 20 |
| H41631 - Alltrac 8015F swing away tailgate kit. | 21 |
| H41770 - VW T6 flatbed mount. | 22 |

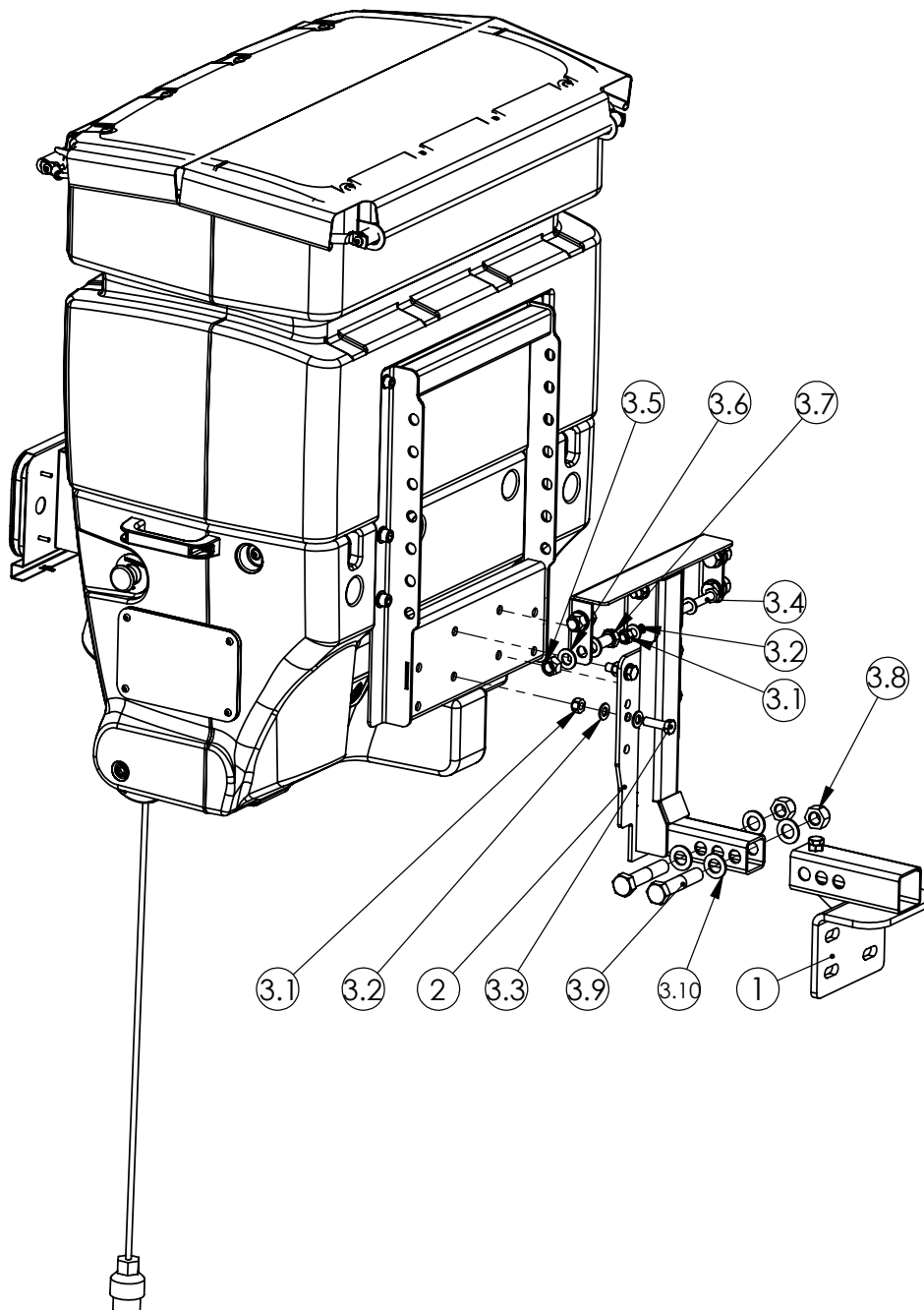


CAUTION

Do not overload your vehicle beyond its tow hitch loading capacity.

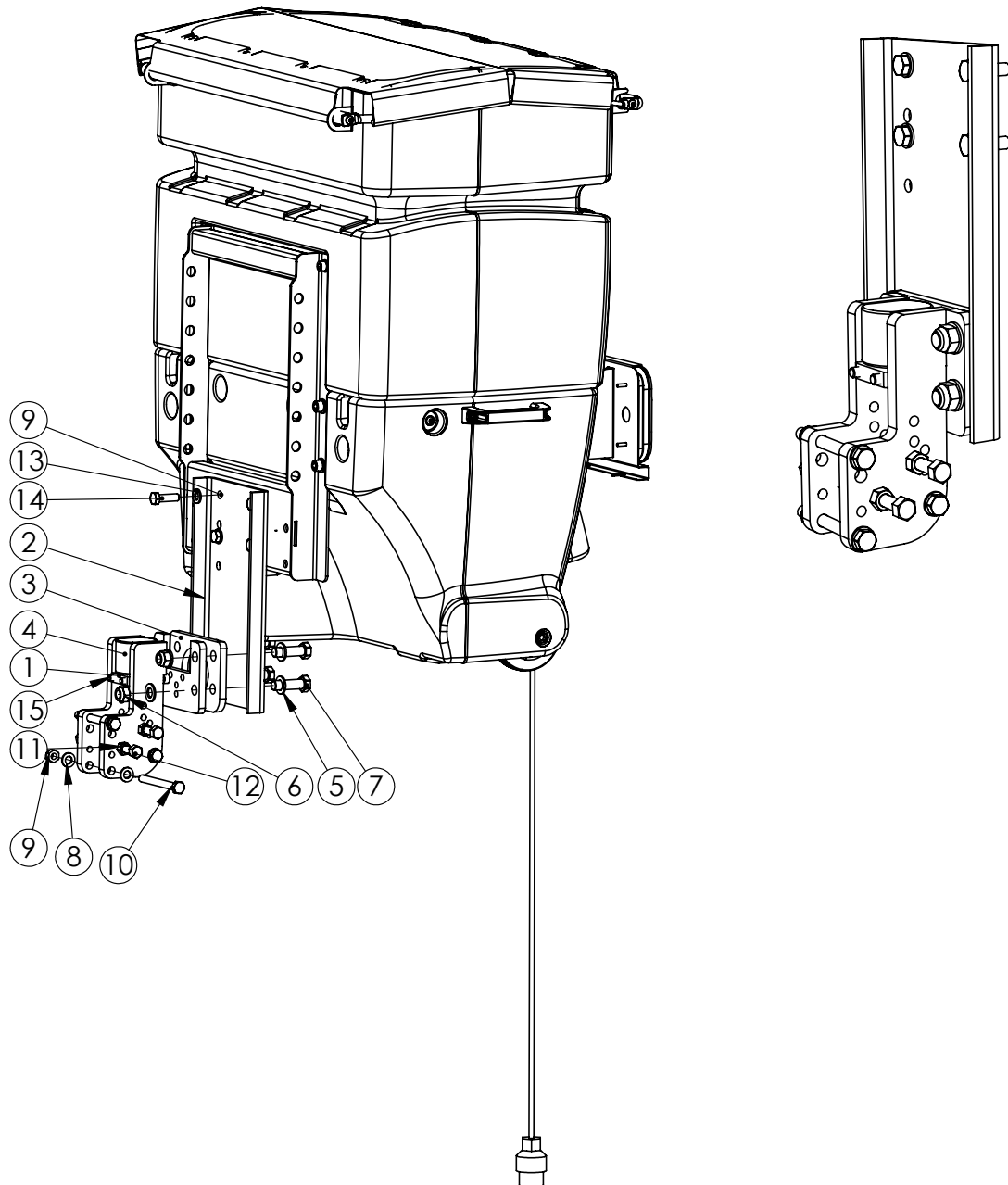
H26984 - TOW HITCH MOUNT, BOLTED

| Item | Qty | Part no. | Description |
|----------|-----|----------|-----------------------------------|
| 1 | 1 | H20760 | Bracket |
| 2 | 1 | H40296 | Tow hitch mount, bolted, 120-300 |
| 3.1-3.10 | 1 | H29369 | Tow hitch mount bolt kit |
| 3.1 | 6 | HF15057 | Lock nut DIN 985/10 ZN M12 |
| 3.2 | 12 | HF15128 | Washer DIN 125 ZN M12 |
| 3.3 | 4 | HF12673 | Bolt M12x40 8.8 ZN DIN933 |
| 3.4 | 2 | HF19324 | Hexagon screw 931/10.9 ZN M12x100 |
| 3.5 | 4 | HF15075 | Nut M16x1,5 DIN 985 Zn 8.8 |
| 3.6 | 8 | HF15130 | DIN 125 M16 ZN |
| 3.7 | 4 | HF12705 | Bolt DIN 933 ZN M16x35 |
| 3.8 | 2 | HF15078 | Lock nut DIN985 8.8 Zn M20 |
| 3.9 | 2 | HF18704 | DIN931 M20x100 8.8Zn |
| 3.10 | 4 | HF15134 | Washer DIN 125 M20 ZN |



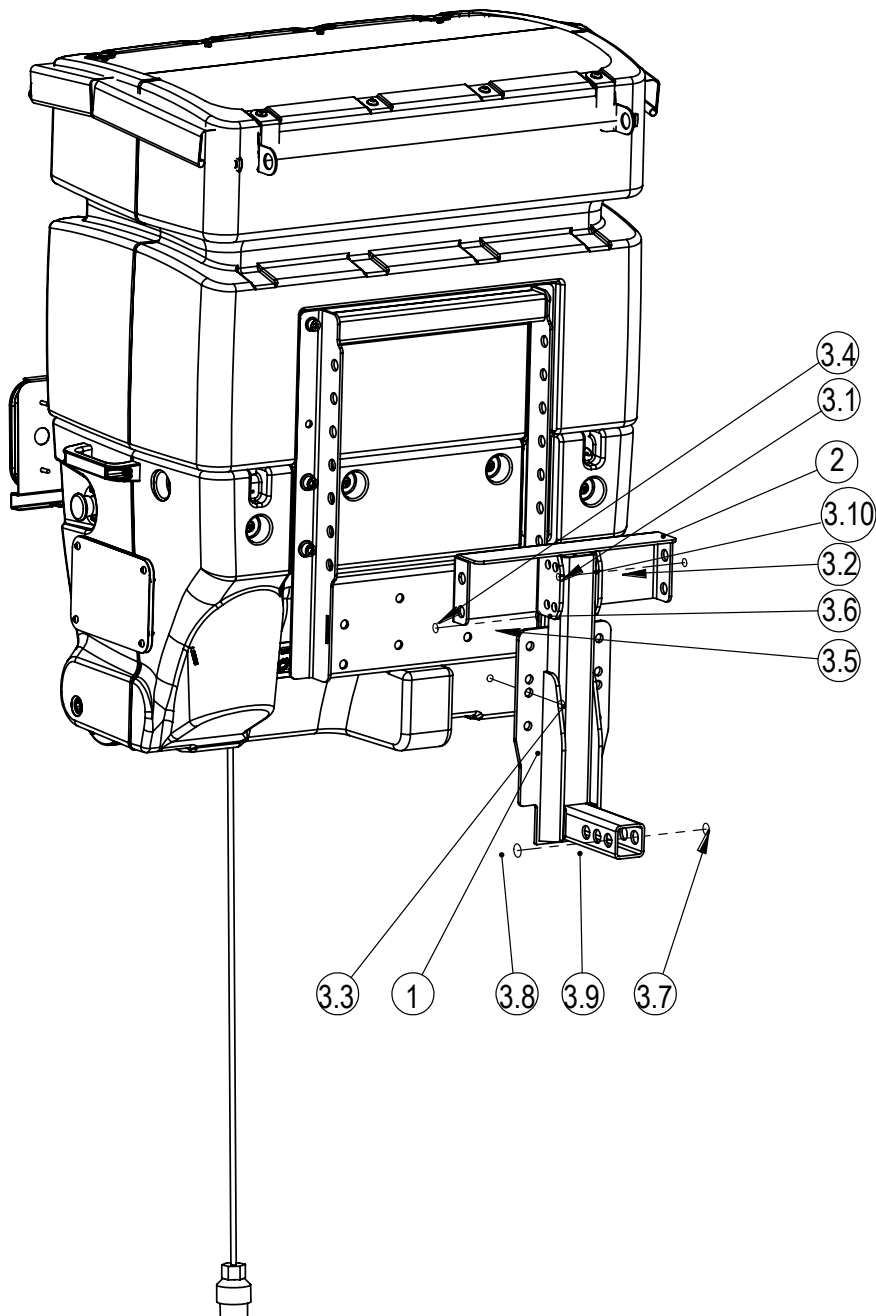
H26679 - TOW HITCH MOUNT, J-TYPE

| Item | Qty | Part no. | Description |
|------|-----|----------|-------------------------------|
| 1 | 1 | H26476 | Bracket |
| 2 | 1 | H27281 | Plate |
| 3 | 1 | H27280 | Plate |
| 4 | 1 | H27282 | Hook bracket |
| 5 | 8 | HF15130 | DIN 125 M16 ZN DIN 125 M16 ZN |
| 6 | 4 | HF15059 | Lock nut DIN 985/10 M16 |
| 7 | 4 | HF12472 | Bolt M16x55 8.8 DIN931 |
| 8 | 6 | HF15128 | Washer DIN 125 M12 |
| 9 | 7 | HF15057 | Lock nut DIN 985/10 M12 |
| 10 | 3 | HF12675 | Bolt M12x120 8.8 DIN933 |
| 11 | 4 | HF10469 | Nut DIN 934 A4 M12 |
| 12 | 4 | HF12433 | Bolt M12x70 8.8 DIN931 ZN |
| 13 | 8 | HF10480 | Washer DIN 125 M12 A4 |
| 14 | 4 | HF12673 | Bolt M12x40 8.8 DIN933 |
| 15 | 2 | HF10386 | Hexagon socket head bolt |



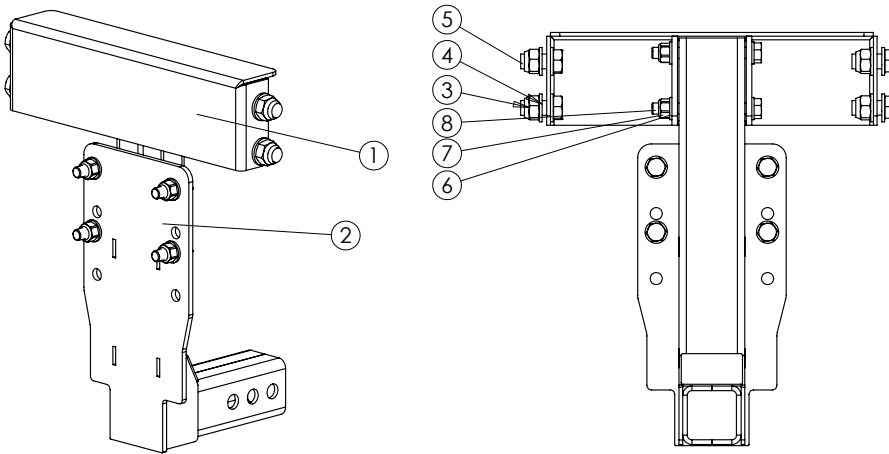
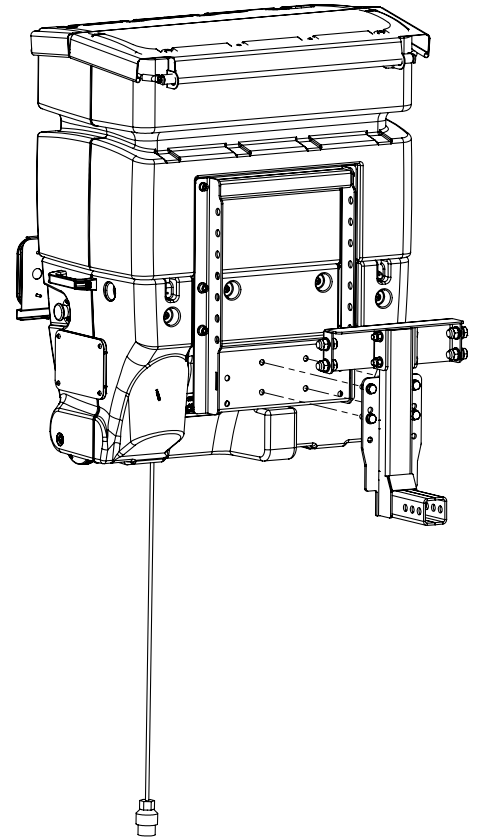
H40296 - 2" RECEIVER HITCH MOUNT

| Item | Qty | Part no. | Description |
|----------|-----|----------|----------------------------|
| 1 | 1 | H40297 | Lower bracket |
| 2 | 1 | H40298 | Upper bracket |
| 3.1-3.10 | 1 | H29369 | Towhitch mount bolt kit |
| 3.1 | 6 | HF15057 | Lock nut DIN 985/10 ZN M12 |
| 3.2 | 12 | HF15128 | Washer DIN 125 ZN M12 |
| 3.3 | 4 | HF12673 | Bolt M12x40 8.8 ZN DIN933 |
| 3.4 | 4 | HF15074 | Lock nut DIN985 ZN M16 |
| 3.5 | 8 | HF15130 | DIN 125 M16 ZN |
| 3.6 | 4 | HF12705 | Bolt DIN 933 ZN M16x35 |
| 3.7 | 2 | HF15078 | Lock nut DIN985 8.8 Zn M20 |
| 3.8 | 2 | HF18704 | DIN931 M20x100 8.8Zn |
| 3.9 | 4 | HF15134 | Washer DIN 125 M20 ZN |
| 3.10 | 2 | HF12415 | Bolt M12x110 8.8 DIN931 ZN |



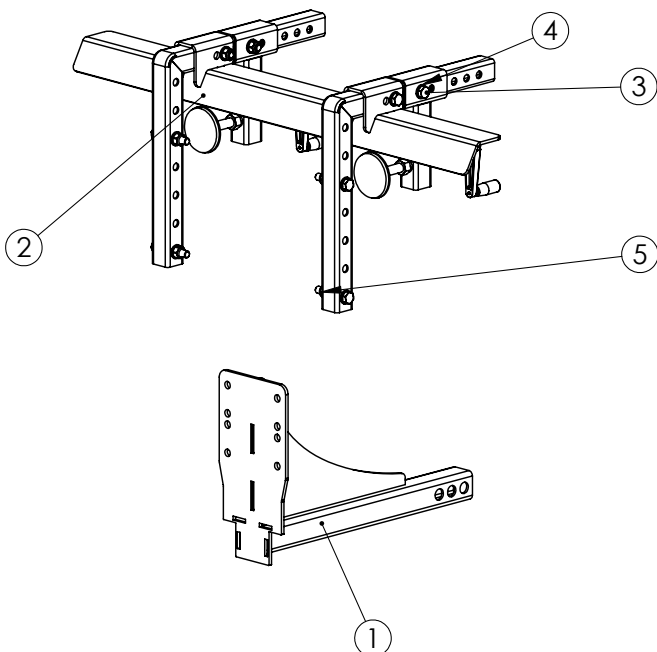
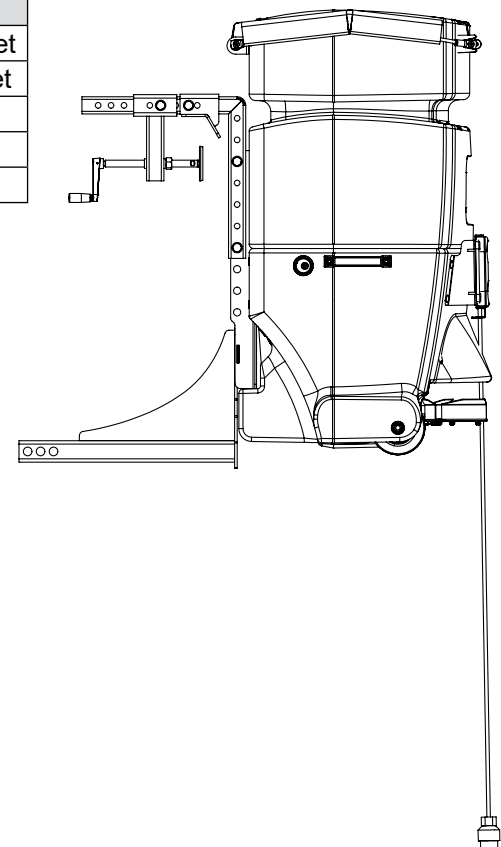
H28688 - 2.5" RECEIVER HITCH MOUNT KIT

| Item | Qty | Part no. | Description |
|------|-----|----------|---------------------------------|
| 1 | 1 | H40278 | Upper bracket 2,5" |
| 2 | 1 | H26501 | Tow hitch weld bracket 2,5 inch |
| 3 | 4 | HF10506 | Lock nut DIN985 A4 M16 |
| 4 | 8 | HF15130 | DIN 125 M16 ZN |
| 5 | 4 | HF12705 | Bolt DIN 933 ZN M16x35 |
| 6 | 12 | HF10480 | Washer DIN 125 M12 A4 |
| 7 | 6 | HF15057 | Lock nut DIN 985/10 M12 |
| 8 | 2 | HF12415 | Bolt M12x110 8.8 DIN931 ZN |
| 9 | 4 | HF12673 | Bolt M12x40 8.8 DIN933 |



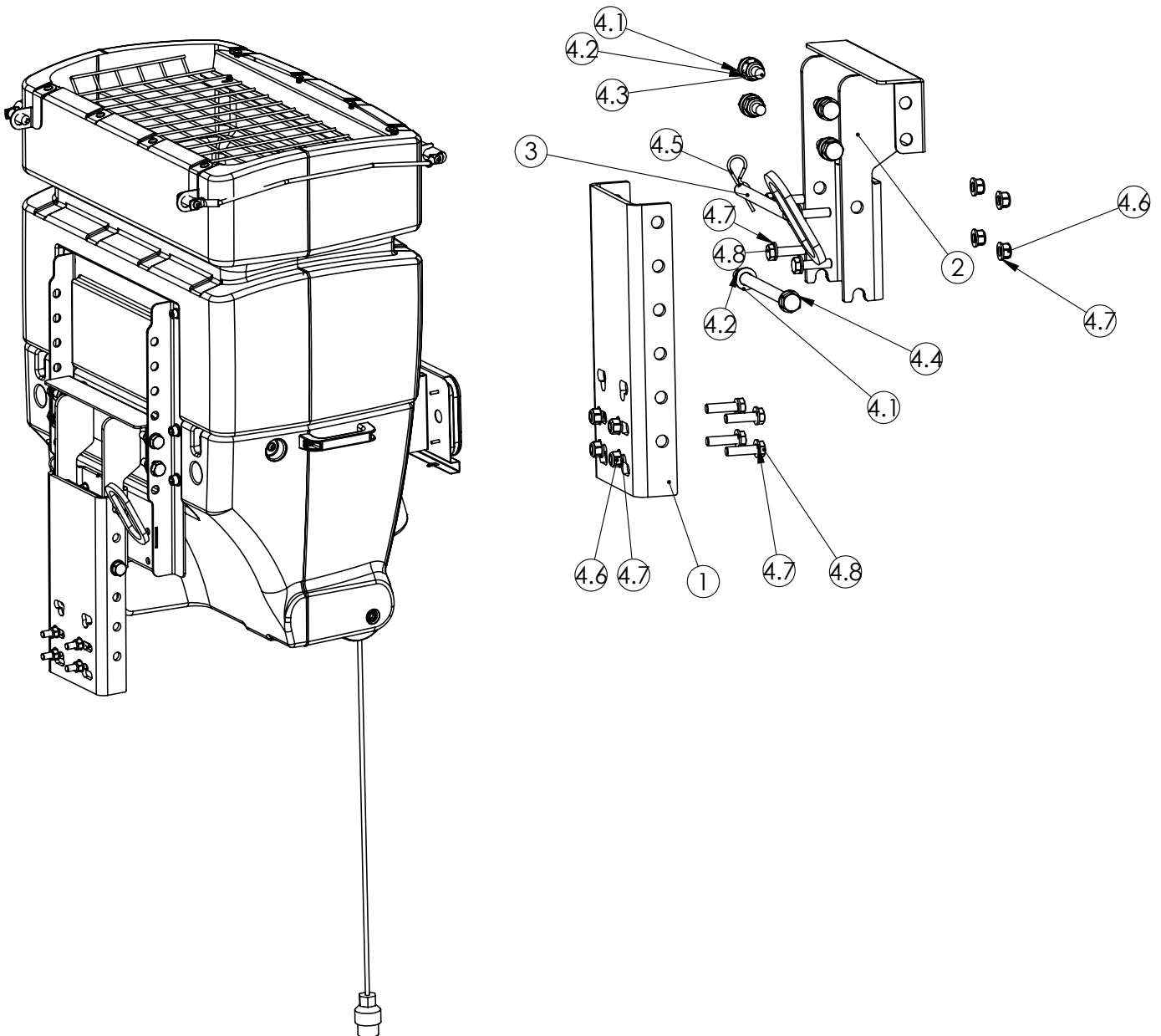
H29623 - 2" TAILGATE HITCH

| Item | Qty | Part no. | Description |
|------|-----|----------|------------------------------------|
| 1 | 1 | H29625 | TG 120/200 Tow hitch Lower bracket |
| 2 | 1 | H26966 | TG 120/200 Tow hitch upper bracket |
| 3 | 8 | HF18685 | Bolt M12x70 8.8 DIN931 |
| 4 | 16 | HF15128 | Washer DIN 125 M12 |
| 5 | 8 | HF15068 | Lock nut DIN 985/8 M12 |



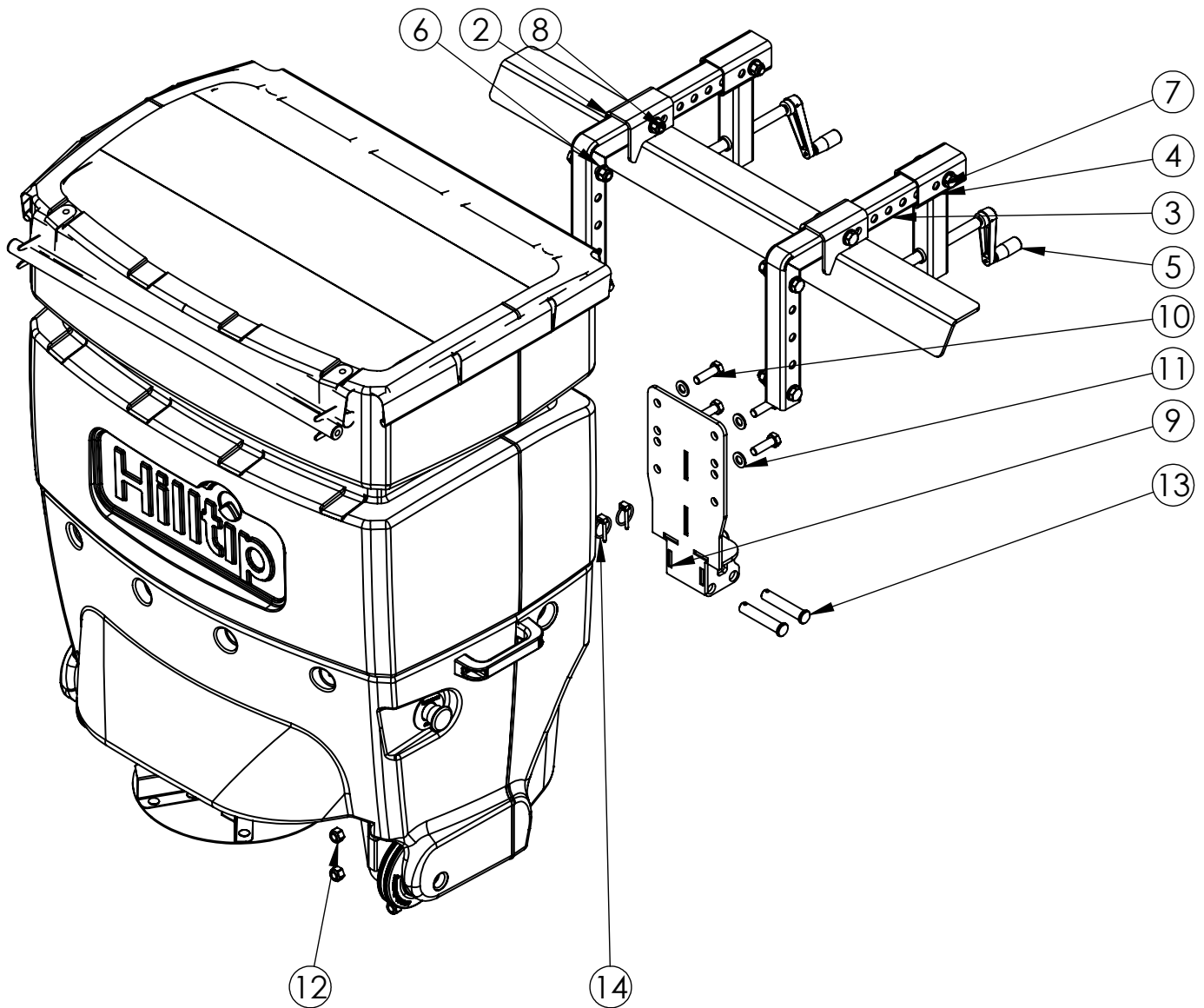
H27976 - TOW HITCH BOLTED MOUNT KIT, HEIGHT ADJUSTABLE

| Item | Qty | Part no. | Description |
|------|-----|----------|--|
| 1 | 1 | H27974 | Extension plate |
| 2 | 1 | H27989 | Extension bracket |
| 3 | 1 | H27999 | Pin bracket |
| 4 | 1 | H27990 | Bolt Kit |
| 4.1 | 10 | HF15381 | Washer M16 DIN 125 Hv300 Zn |
| 4.2 | 5 | HF15074 | Lock nut DIN985 ZN M16 |
| 4.3 | 4 | HF12708 | Bolt DIN 933 ZN M16x50 Bolt |
| 4.4 | 1 | HF13002 | Bolt M16x240 8.8 DIN931 |
| 4.5 | 1 | HF16073 | Locking pin $\varnothing 3,5\text{mm}$ |
| 4.6 | 8 | HF15068 | Lock nut DIN 985/8 M12 |
| 4.7 | 16 | HF15128 | Washer DIN 125 M12 |
| 4.8 | 8 | HF12674 | Bolt M12x45 8.8 DIN933 |



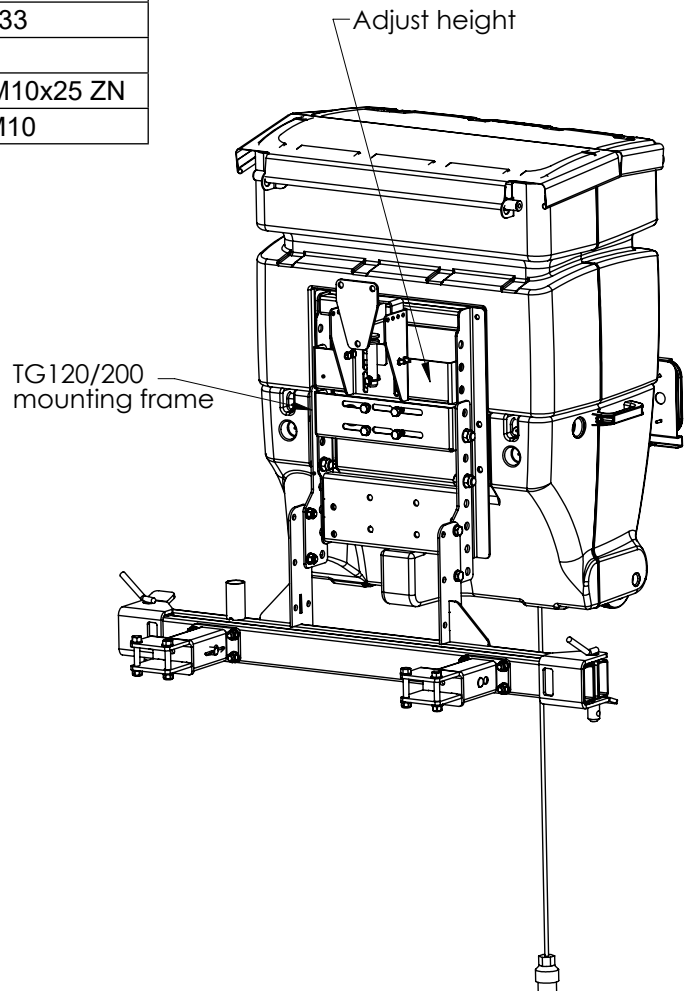
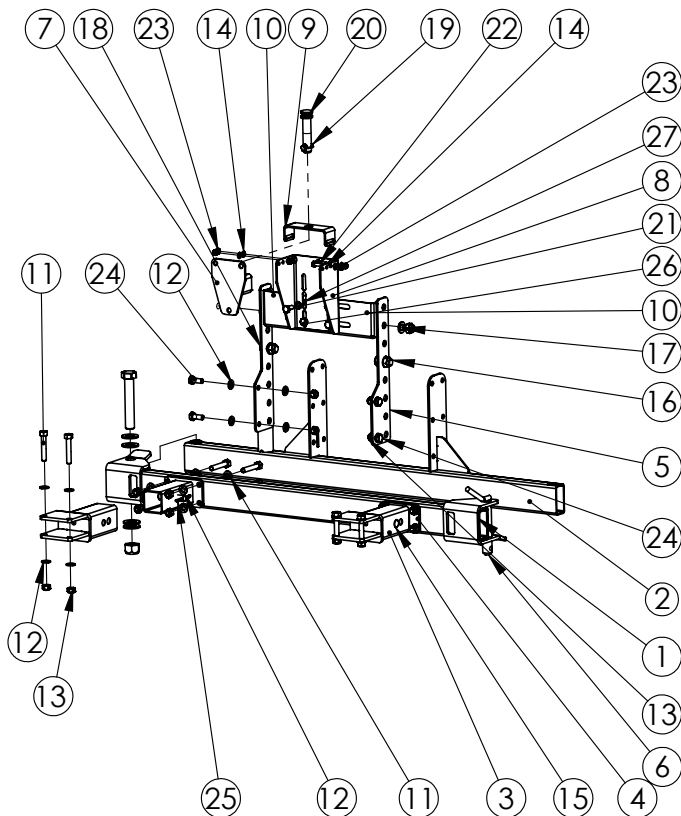
H26985 - EU TOW/TAILGATE HITCH MOUNT

| Item | Qty | Part no. | Description |
|------|-----|----------|------------------------------|
| 2 | 1 | H26967 | Bracket |
| 3 | 2 | H26969 | Rectangular tube |
| 4 | 2 | H21031 | LP10 locking bracket |
| 5 | 2 | H22639 | Hand hoop assembly |
| 6 | 8 | HF18685 | Bolt M12x70 8.8 DIN931 |
| 7 | 16 | HF15128 | Washer DIN 125 M12 |
| 8 | 8 | HF15068 | Lock nut DIN 985/8 M12 |
| 9 | 1 | H26952 | TG 120/200 Tow hitch bracket |
| 10 | 4 | HF12673 | Bolt M12x40 8.8 DIN933 |
| 11 | 8 | HF10480 | Washer DIN 125 M12 A4 |
| 12 | 4 | HF15057 | Lock nut DIN 985/10 M12 |
| 13 | 2 | H22172 | Pin \varnothing 16 mm |
| 14 | 2 | H22173 | Locking pin |



H27100 - SWING AWAY MOUNT, BOLTED AL-KO HITCH/ JIMNY

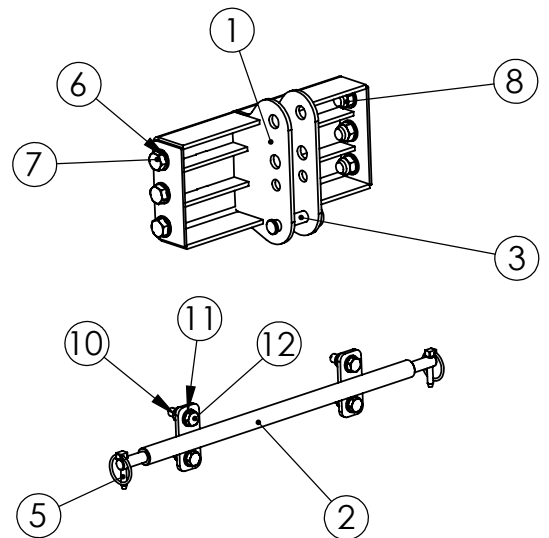
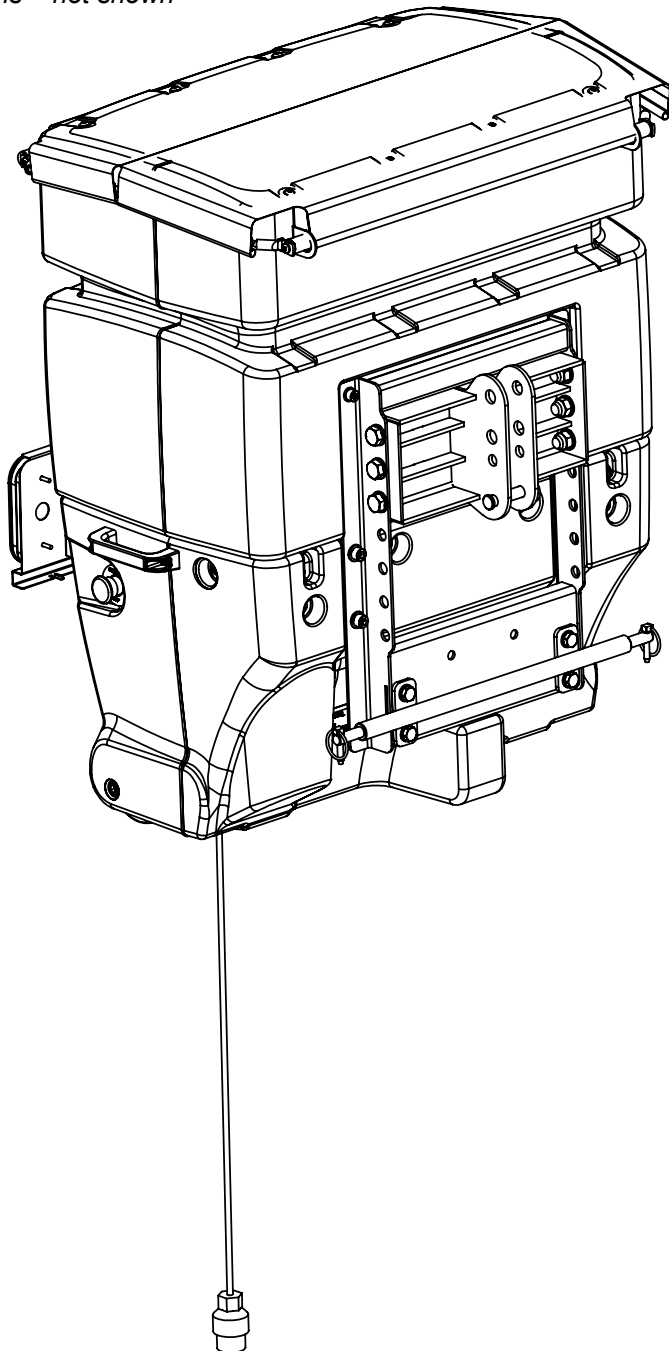
| Item | Qty | Part no. | Description |
|-------|-----|--------------|----------------------------------|
| 1 | 1 | H27101 | Bracket |
| 2 | 1 | H27105 | Bracket |
| 3 | 2 | H27111 | Bracket |
| 4 | 2 | H27108 | Bracket |
| 5 | 2 | H27115 | Plate |
| 6 | 2 | H27116 | Lock pin |
| 7 | 1 | H27133 | Bracket |
| 8 | 1 | H27131 | Plate |
| 9 | 1 | H27132 Plate | Nyloc DIN 985 M12 A4 |
| 10 | 1 | H28323 | Jimny upper plate |
| 11-27 | 1 | H29457 | Swing away Suzuki Jimny bolt kit |
| 11 | 12 | HF12433 | Bolt M12x70 8.8 DIN931 ZN |
| 12 | 32 | HF15128 | Washer DIN 125 M12 |
| 13 | 16 | HF15068 | Lock nut DIN 985/8 M12 |
| 14 | 8 | HF19112 | Washer DIN 125 M8 ZN |
| 15 | 2 | H24102 | Pin \varnothing 16x78 mm |
| 16 | 4 | HF15074 | Lock nut DIN985 ZN M16 |
| 17 | 8 | HF15130 | DIN 125 M16 ZN |
| 18 | 4 | HF12705 | Bolt DIN 933 ZN M16x35 |
| 19 | 1 | H22173 | Locking pin |
| 20 | 1 | H21207 | Pin 22x78 |
| 21 | 4 | HF15127 | Washer DIN 125 M10 |
| 22 | 4 | HF12632 | DIN 933 M8x25 |
| 23 | 4 | HF15100 | Lock nut DIN985 8,8Zn M8 |
| 24 | 4 | HF12671 | Bolt M12x30 8.8 DIN933 |
| 25 | 2 | HF16073 | Locking pin \varnothing 3,5mm |
| 26 | 4 | HF12652 | Hex Bolt DIN933 8.8 M10x25 ZN |
| 27 | 4 | HF15064 | LOCK NUT DIN 985 M10 |



H26678 - 3-POINT HITCH, CAT 0

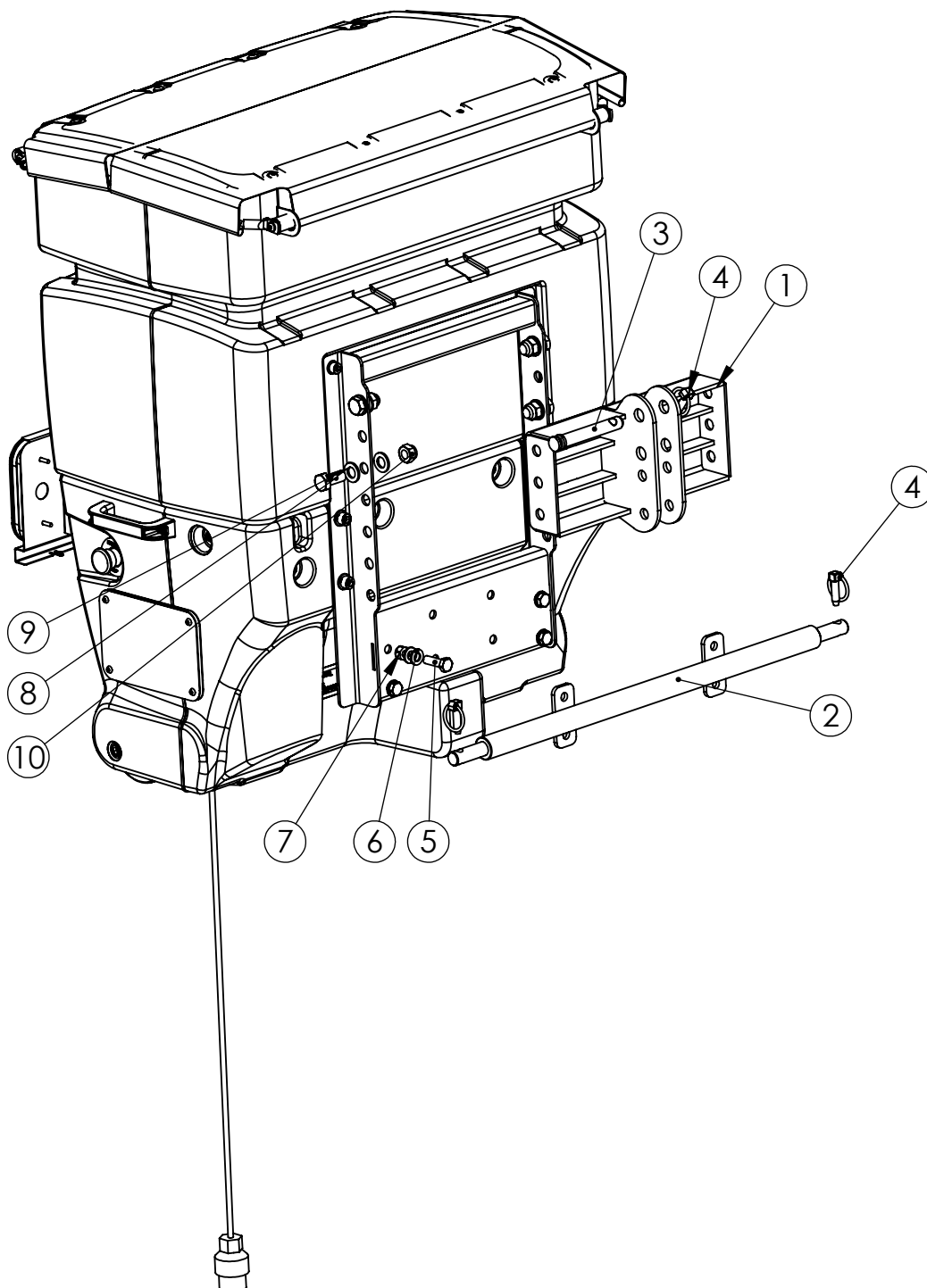
| Item | Qty | Part no. | Description |
|------|-----|----------|----------------------------------|
| 1 | 1 | H26930 | TG 120/200 CAT 0-1 Upper Bracket |
| 2 | 1 | H26935 | TG 120/200 CAT 0 Lower Bracket |
| 3 | 1 | H22172 | Pin \varnothing 16 mm |
| ns | 1 | H22173 | Locking pin |
| 5-12 | 1 | H29370 | 3- point cat 0 bolt kit |
| 5 | 2 | H25381 | Linch pin 8mm |
| 6 | 12 | HF15130 | DIN 125 M16 ZN |
| 7 | 6 | HF12705 | Bolt DIN 933 ZN M16x35 |
| 8 | 4 | HF15074 | Lock nut DIN985 ZN M16 |
| ns | 2 | HF15059 | Lock nut DIN 985/10 M16 |
| 10 | 4 | HF15057 | Lock nut DIN 985/10 M12 |
| 11 | 8 | HF10480 | Washer DIN 125 M12 A4 |
| 12 | 4 | HF12673 | Bolt M12x40 8.8 DIN933 |

ns = not shown



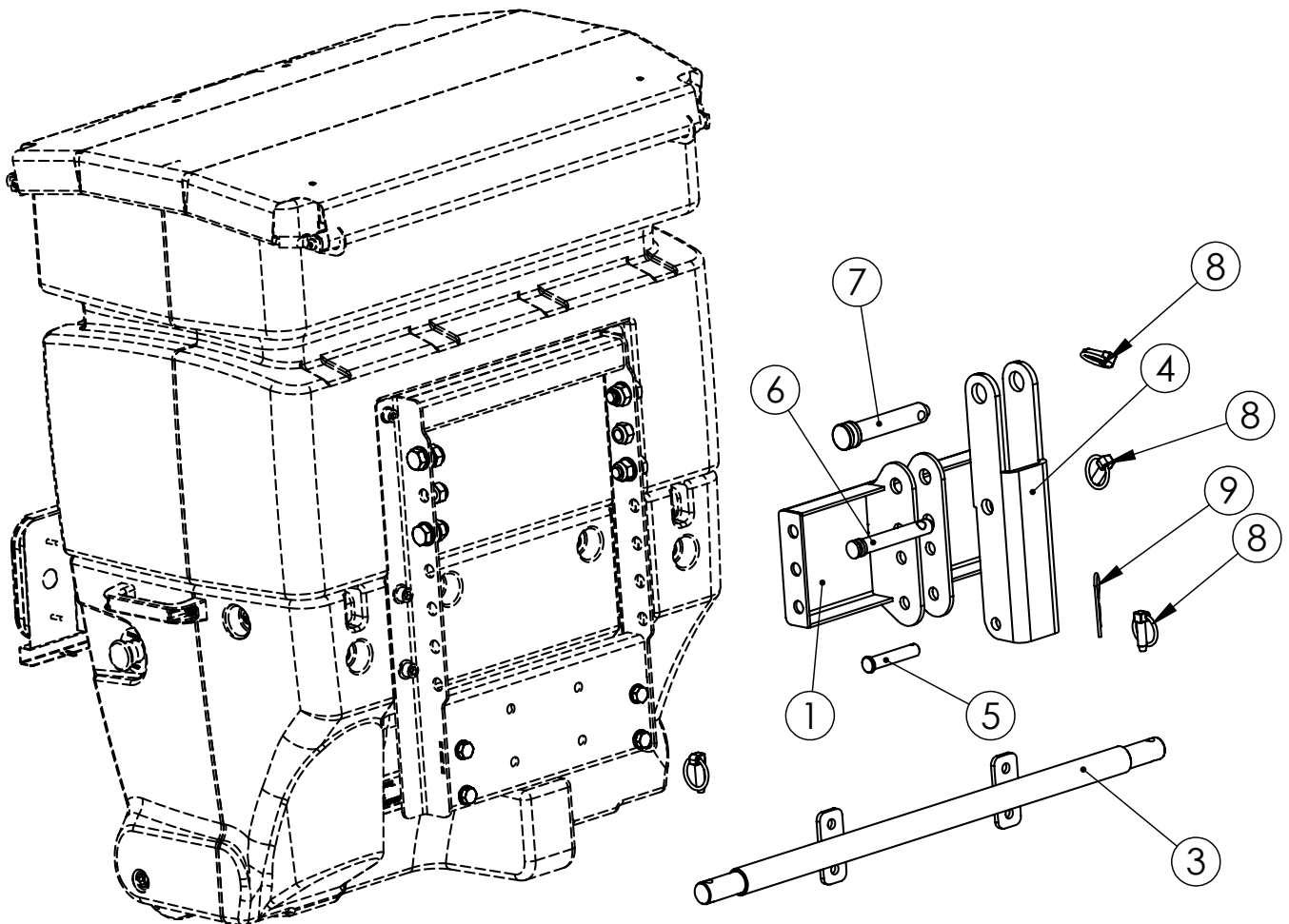
H26707 3-POINT HITCH, CAT 1

| Item | Qty | Part no. | Description |
|------|-----|----------|----------------------------------|
| 1 | 1 | H26930 | TG 120/200 CAT 0-1 Upper Bracket |
| 2 | 1 | H27601 | TG 120/200 CAT 1 Lower bracket |
| 3 | 1 | H21208 | Pin 19x102 |
| 4 | 3 | H22113 | Locking pin |
| 5 | 4 | HF12673 | Bolt M12x40 8.8 DIN933 |
| 6 | 8 | HF10480 | Washer DIN 125 M12 A4 |
| 7 | 4 | HF15057 | Lock nut DIN 985/10 M12 |
| 8 | 4 | HF12705 | Bolt DIN 933 ZN M16x35 |
| 9 | 8 | HF15130 | DIN 125 M16 ZN |
| 10 | 4 | HF15074 | Lock nut DIN985 ZN M16 |



H26986 3-POINT HITCH, CAT 2

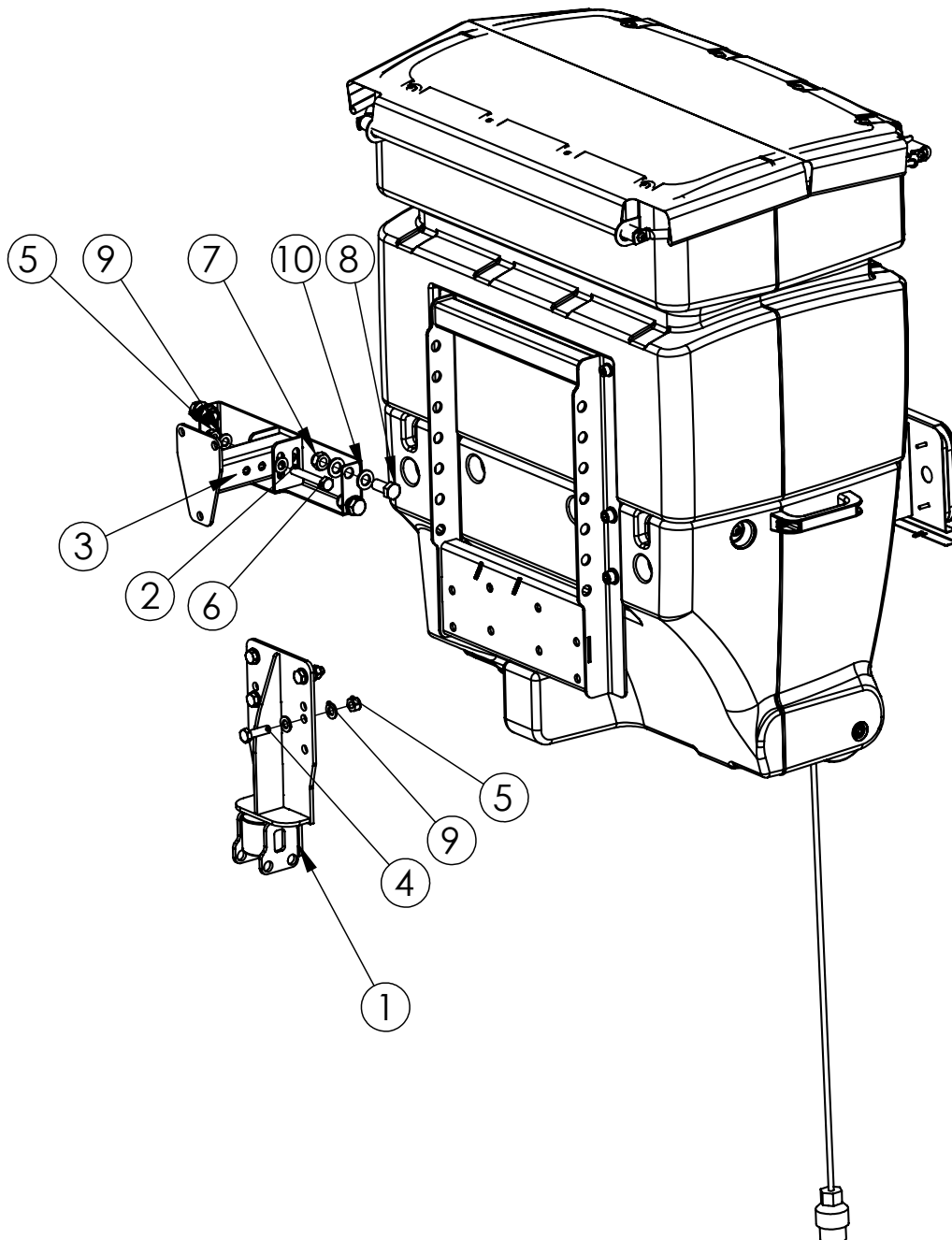
| Item | Qty | Part no. | Description |
|------|-----|----------|----------------------------------|
| 1 | 1 | H26930 | TG 120/200 CAT 0-1 Upper Bracket |
| 3 | 1 | H26950 | TG 120/200 CAT 2 Lower bracket |
| 4 | 1 | H26934 | TG 120/200 CAT 2 Upper bracket |
| 5 | 1 | H22172 | Pin \varnothing 16 mm |
| 6 | 1 | H21208 | Pin 19x102 |
| 7 | 1 | H26754 | KH Part No. XPT251 |
| 8 | 4 | H22113 | Locking pin |
| 9 | 1 | HF16073 | Locking pin \varnothing 3,5mm |
| 10 | 4 | HF12673 | Bolt M12x30 8.8 DIN933 |
| 11 | 8 | HF10480 | Washer DIN 125 M12 A4 |
| 12 | 4 | HF15057 | Lock nut DIN 985/10 M12 |
| 13 | 4 | HF12705 | Bolt DIN 933 ZN M16x35 |
| 14 | 8 | HF15130 | DIN 125 M16 ZN |
| 15 | 4 | HF15059 | Lock nut DIN 985/10 M16 |
| 16 | 4 | HF15074 | Lock nut DIN985 ZN M16 |



H27246 - SUZUKI JIMNY TOW/ SPARE WHEEL TAILGATE MOUNT

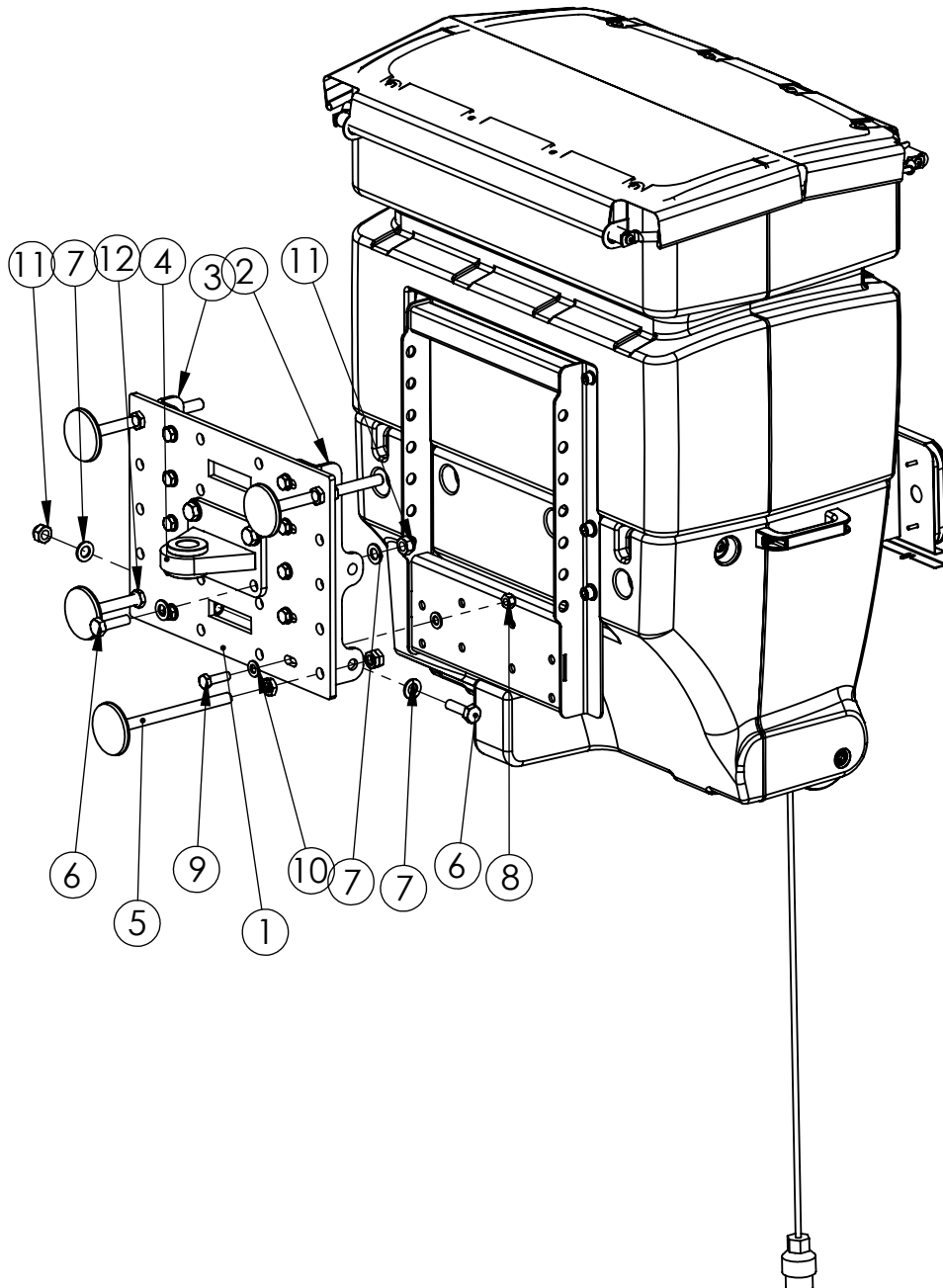
| Item | Qty | Part no. | Description |
|------|-----|----------|------------------------------|
| 1 | 1 | H26952 | TG 120/200 Tow hitch bracket |
| 2 | 1 | H27248 | Bracket |
| 3 | 1 | H27251 | Bracket |
| ns | 1 | H27134 | Plate |
| ns | 1 | H27252 | Beam |
| 4-10 | 1 | H28091 | Bolt kit |
| 4 | 4 | HF12673 | Bolt M12x40 8.8 DIN933 |
| 5 | 5 | HF15068 | Lock nut DIN 985/8 M12 |
| 6 | 1 | HF12435 | Bolt M12x80 8.8 DIN931 ZN |
| 7 | 4 | HF15074 | Lock nut DIN985 ZN M16 |
| 8 | 4 | HF12705 | Bolt DIN 933 ZN M16x35 |
| 9 | 10 | HF15128 | Washer DIN 125 M12 |
| 10 | 6 | HF15130 | DIN 125 M16 ZN |

ns = not shown



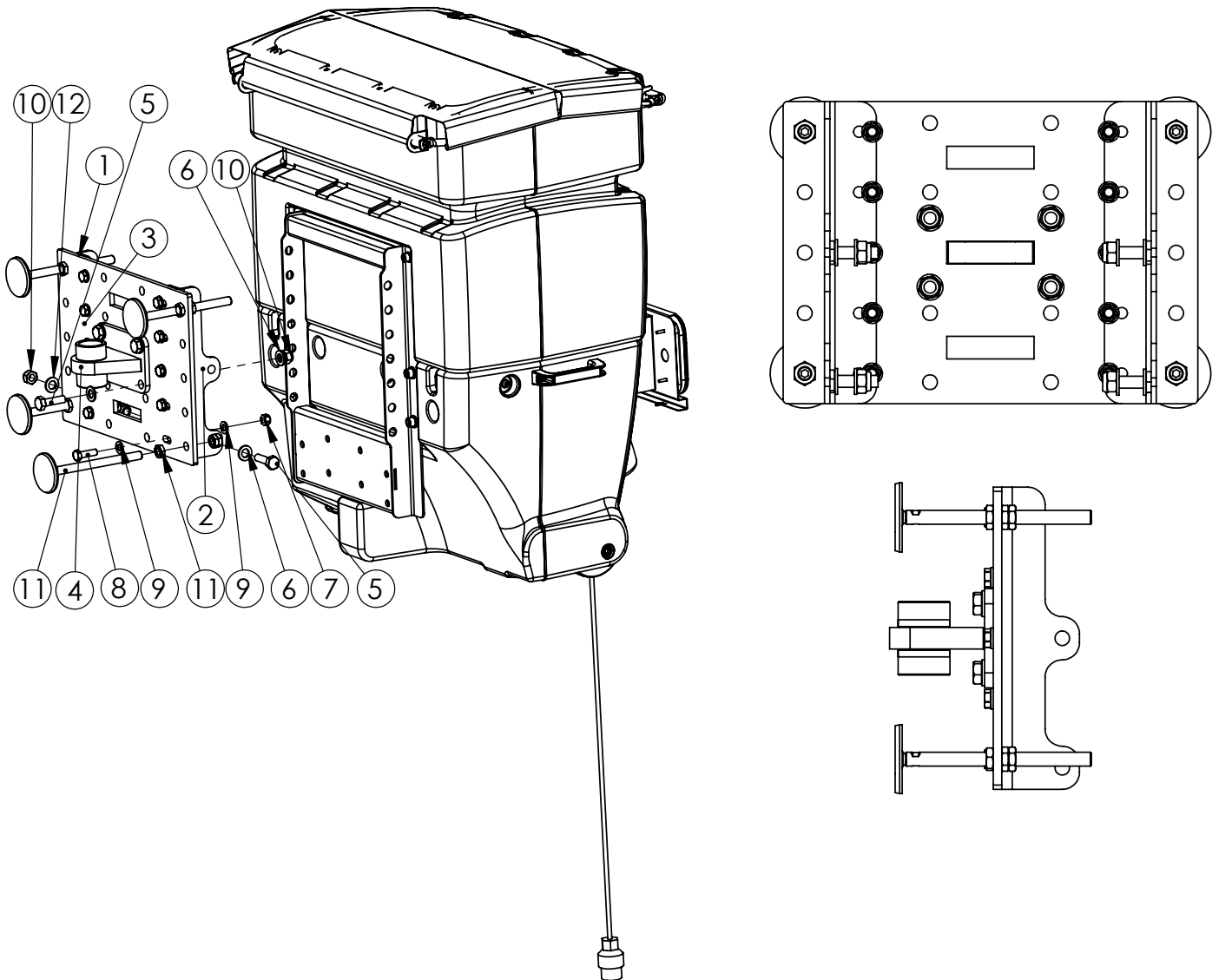
H26655 - WHEEL LOADER / FORK LIFT 32MM PIN HITCH, ADJUSTABLE. HEIGHT ADJUSTMENT, KRAMER ALLRAD

| Item | Qty | Part no. | Description |
|------|-----|----------|--------------------------------|
| 1 | 1 | H26959 | Plate |
| 2 | 1 | H26960 | Plate |
| 3 | 1 | H26961 | Plate Mirror of H26960 |
| 4 | 1 | H26962 | TG 120/200 Wheelloader bracket |
| 5 | 4 | H22637 | Stainless steel foot |
| 6-12 | 1 | H28200 | Bolt kit |
| 6 | 8 | HF12708 | Bolt DIN 933 ZN M16x50 |
| 7 | 16 | HF15130 | DIN 125 M16 ZN |
| 8 | 10 | HF15068 | Lock nut DIN 985/8 M12 |
| 9 | 10 | HF12673 | Bolt M12x40 8.8 DIN933 |
| 10 | 20 | HF15128 | Washer DIN 125 M12 |
| 11 | 8 | HF15074 | Lock nut DIN985 ZN M16 |
| 12 | 12 | HF19388 | Low nut DIN 936 A4 M16 |



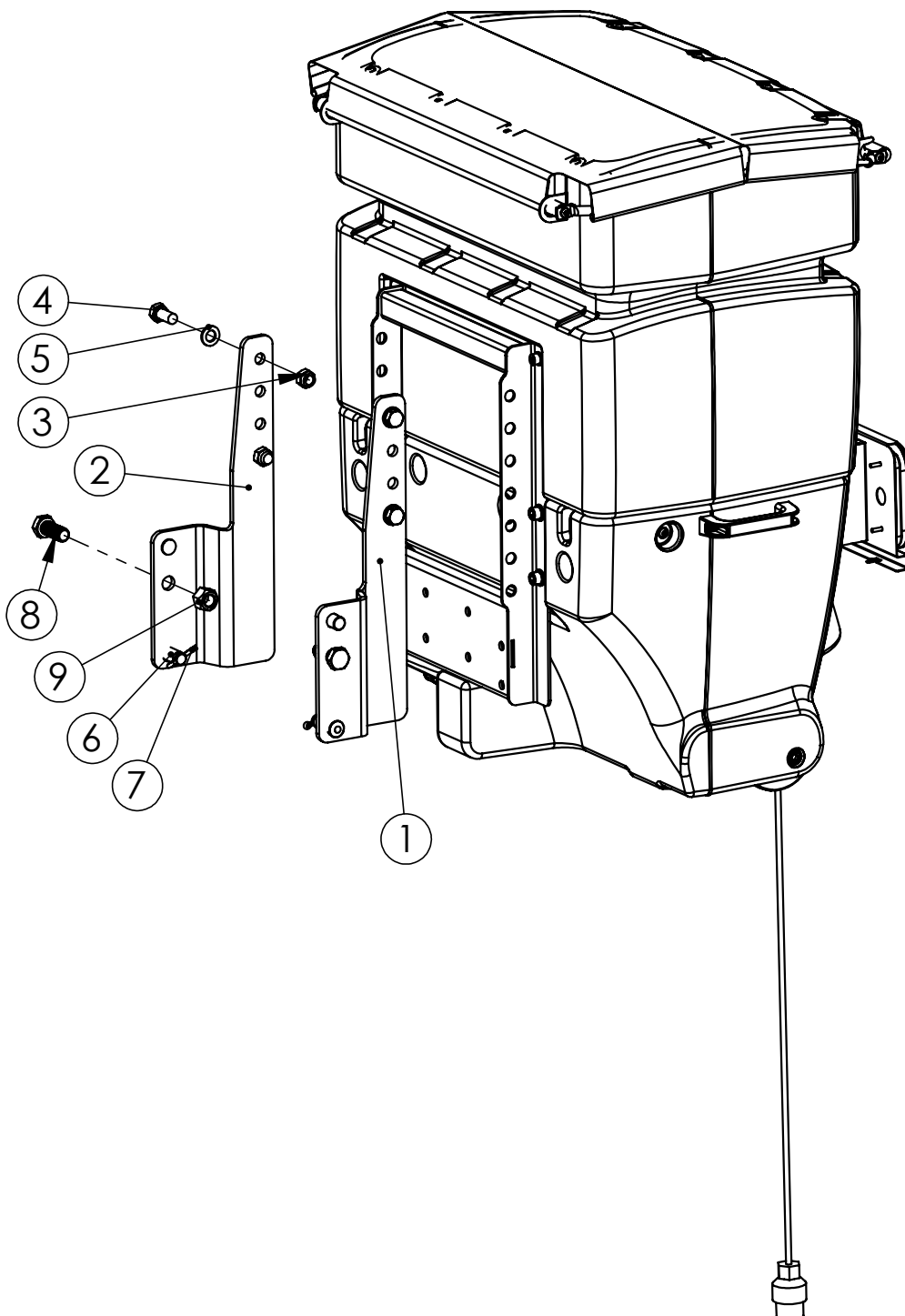
H27241 - WHEEL LOADER / FORK LIFT 45MM PIN HITCH, ADJUSTABLE. HEIGHT ADJUSTMENT, JCB 409

| Item | Qty | Part no. | Description |
|------|-----|----------|--------------------------------|
| 1 | 1 | H26959 | Plate |
| 2 | 1 | H26960 | Plate |
| 3 | 1 | H26961 | Plate |
| 4 | 1 | H27242 | TG 120/200 Wheelloader bracket |
| 5-11 | 1 | H28200 | Bolt kit |
| 5 | 8 | HF12708 | Bolt DIN 933 ZN M16x50 |
| 6 | 16 | HF15130 | DIN 125 M16 ZN |
| 7 | 10 | HF15068 | Lock nut DIN 985/8 M12 |
| 8 | 10 | HF12673 | Bolt M12x40 8.8 DIN933 |
| 9 | 20 | HF15128 | Washer DIN 125 M12 |
| 10 | 8 | HF15074 | Lock nut DIN985 ZN M16 |
| 11 | 12 | HF19388 | Low nut DIN 936 A4 M16 |
| 12 | 4 | H22637 | Stainless steel foot |



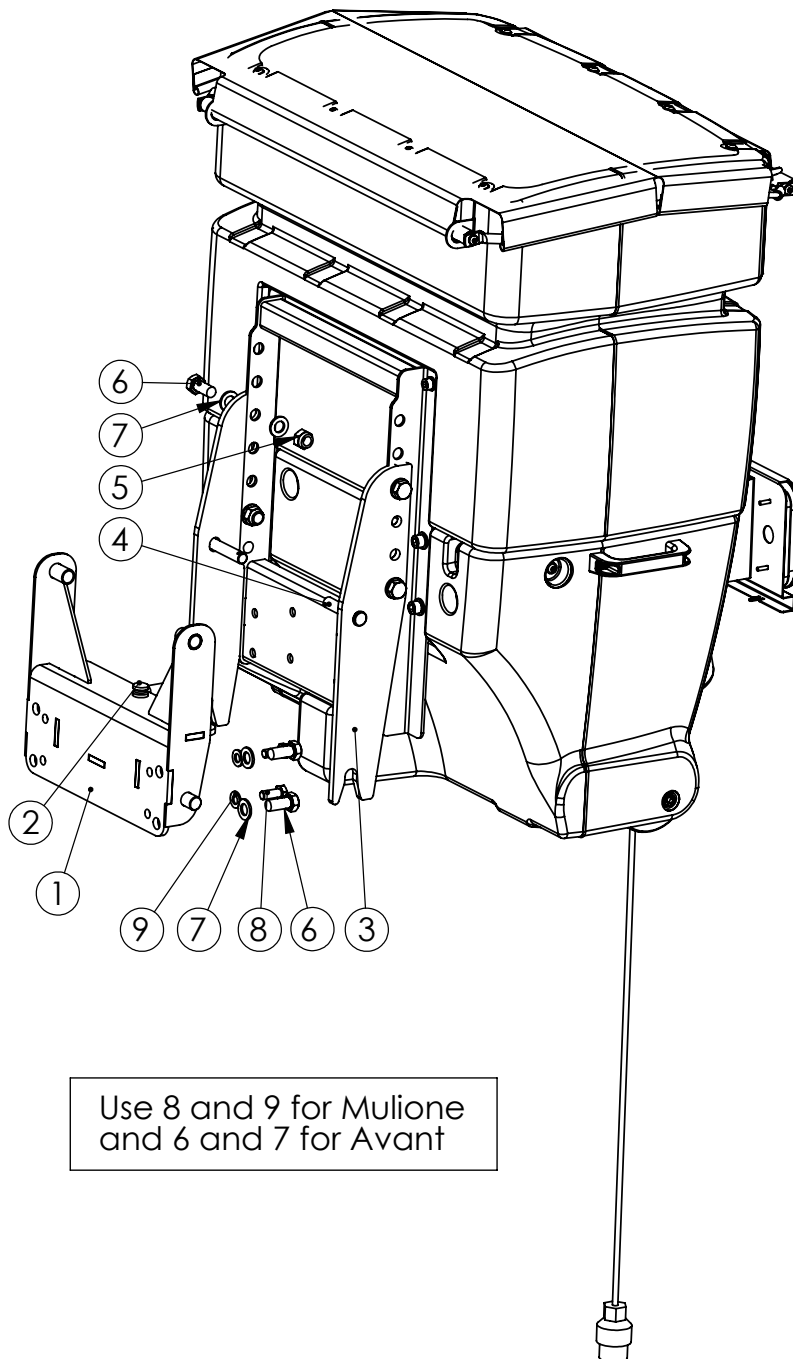
H27864 - NORCAR A-SERIE SPREADER MOUNT

| Item | Qty | Part no. | Description |
|------|-----|----------|----------------------------|
| 1 | 1 | H27867 | Left plate assembly |
| 2 | 1 | H27868 | Right plate assembly |
| 3-9 | 1 | H27787 | Bolt kit Norcar a serie |
| 3 | 4 | HF15059 | Lock nut DIN 985/10 M16 |
| 4 | 4 | HF12705 | Bolt DIN 933 ZN M16x35 |
| 5 | 4 | HF15130 | DIN 125 M16 ZN |
| 6 | 2 | H23914 | Pin |
| 7 | 2 | HF19357 | Pin DIN 94 6.3x40 A2 |
| 8 | 2 | HF11770 | DIN 933 M20x50 |
| 9 | 2 | HF15078 | Lock nut DIN985 8.8 Zn M20 |



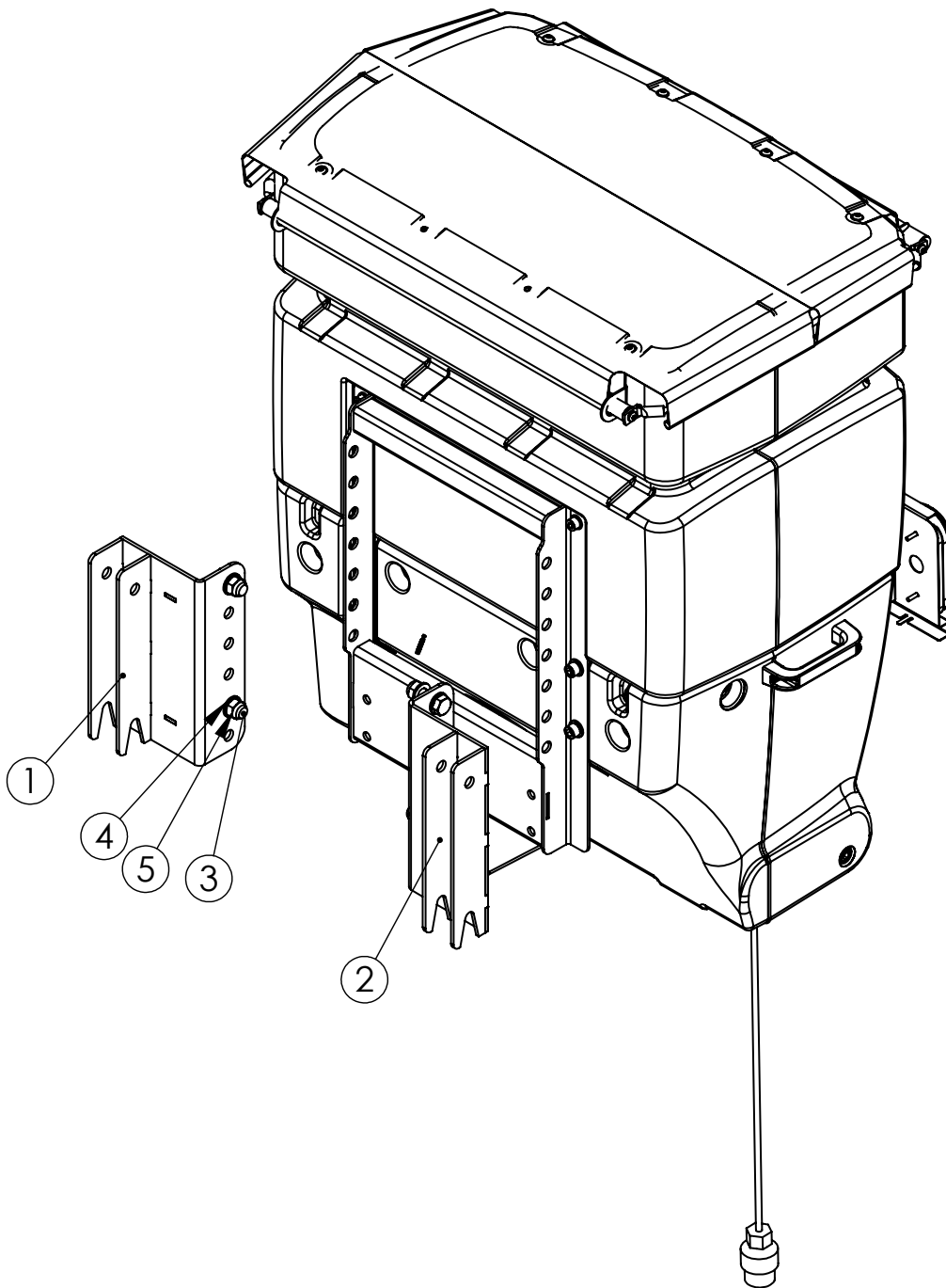
H27207 - AVANT & MULTIONE SPREADER MOUNT

| Item | Qty | Part no. | Description |
|------|-----|----------|-------------------------|
| 1 | 1 | H27208 | Bracket |
| 2 | 1 | H21208 | Pin 19x102 |
| 3 | 2 | H27223 | Plate |
| 4-9 | 1 | H28092 | Bolt kit |
| 4 | 2 | H22172 | Pin \varnothing 16 mm |
| 5 | 4 | HF15059 | Lock nut DIN 985/10 M16 |
| 6 | 8 | HF12705 | Bolt DIN 933 ZN M16x35 |
| 7 | 12 | HF15130 | DIN 125 M16 ZN |
| 8 | 4 | HF12671 | Bolt M12x30 8.8 DIN933 |
| 9 | 4 | HF15128 | Washer DIN 125 M12 |



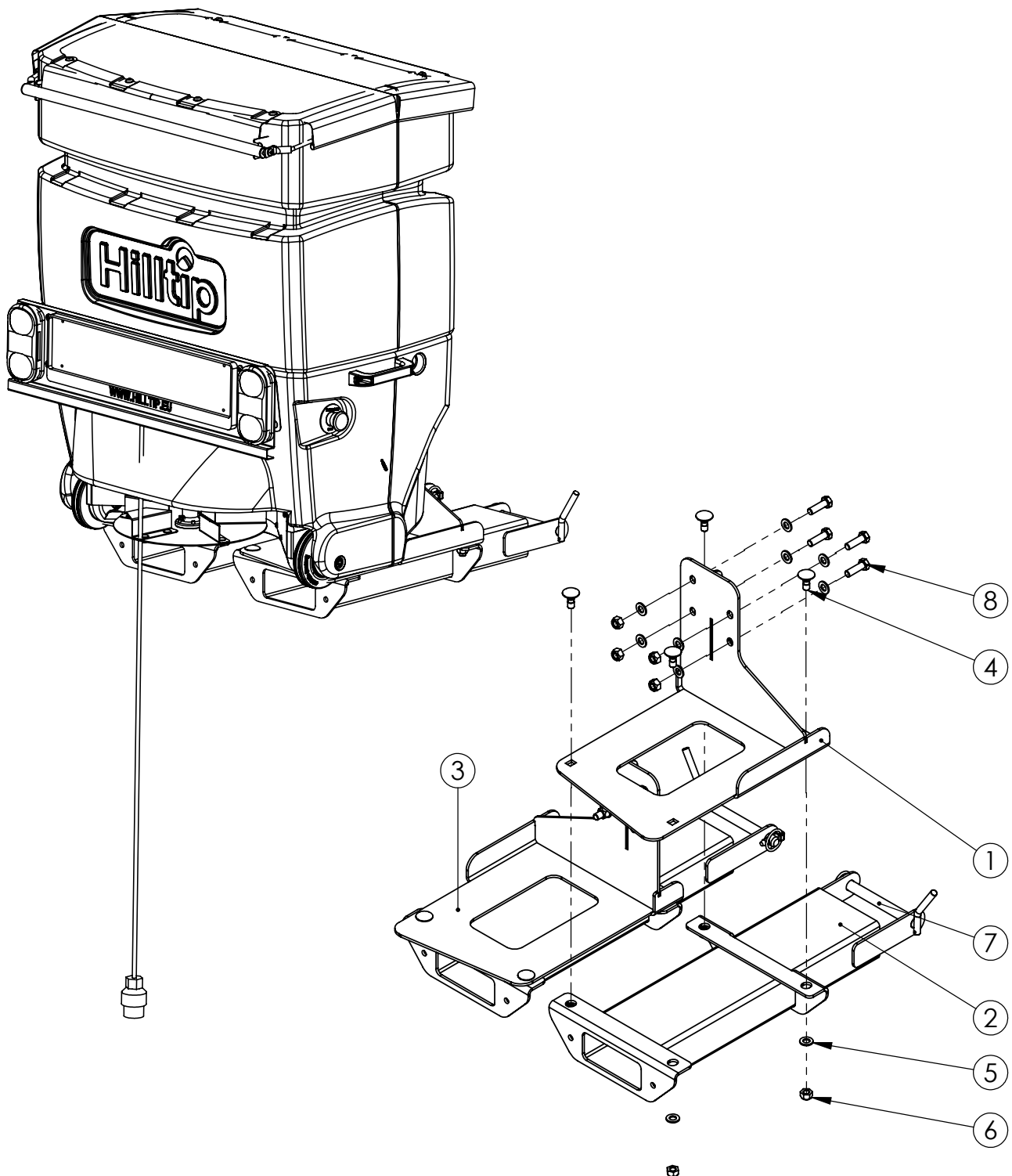
H27201 - HAKO CM 600/1250/1600 MOUNT

| Item | Qty | Part no. | Description |
|------|-----|----------|------------------------|
| 1 | 1 | H27202 | Bracket Right |
| 2 | 1 | H27206 | Bracket Left |
| 3 | 4 | HF12705 | Bolt DIN 933 ZN M16x35 |
| 4 | 8 | HF15130 | DIN 125 M16 ZN |
| 5 | 4 | HF15074 | Lock nut DIN985 ZN M16 |



H27356 - FORKLIFT MOUNT

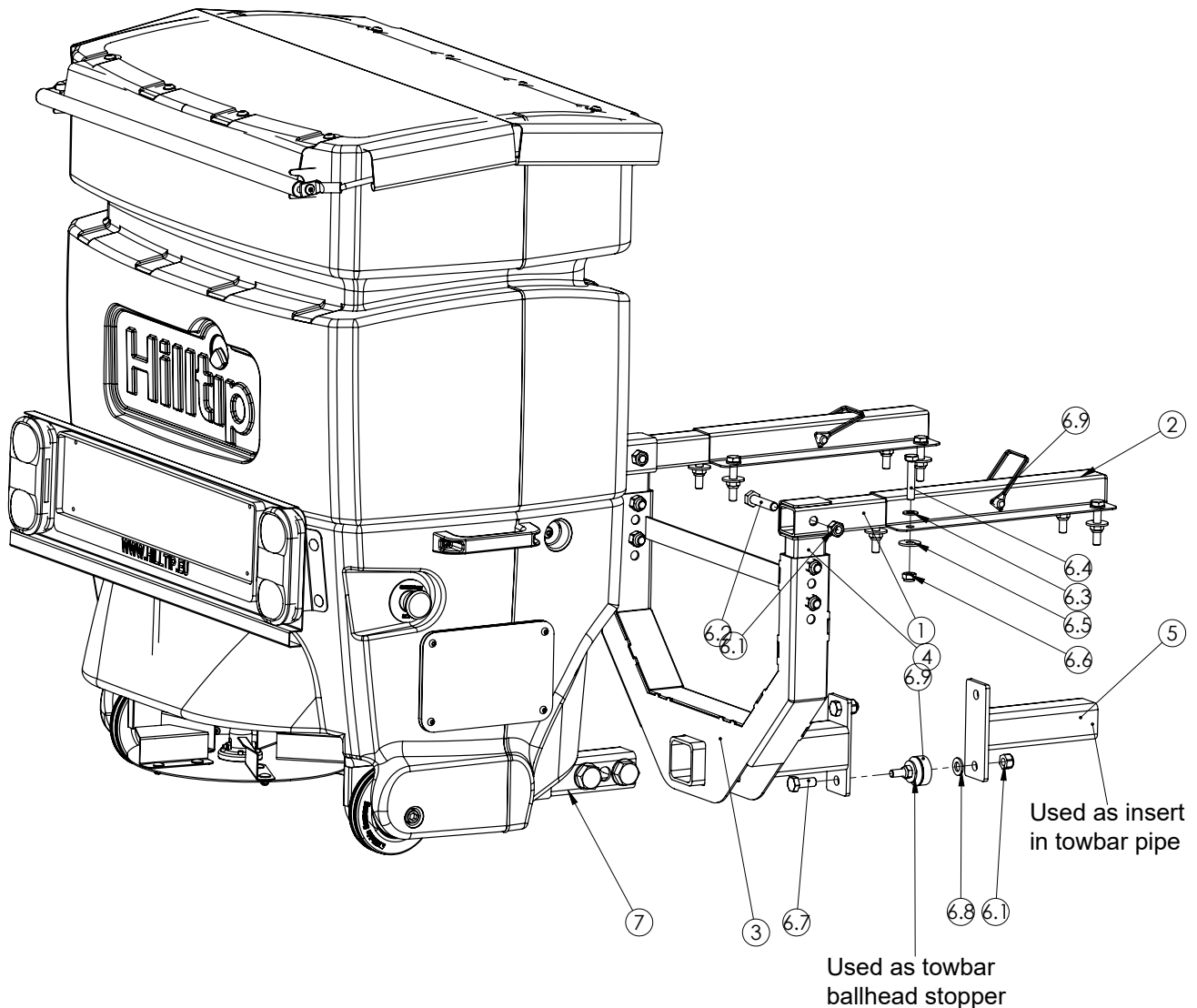
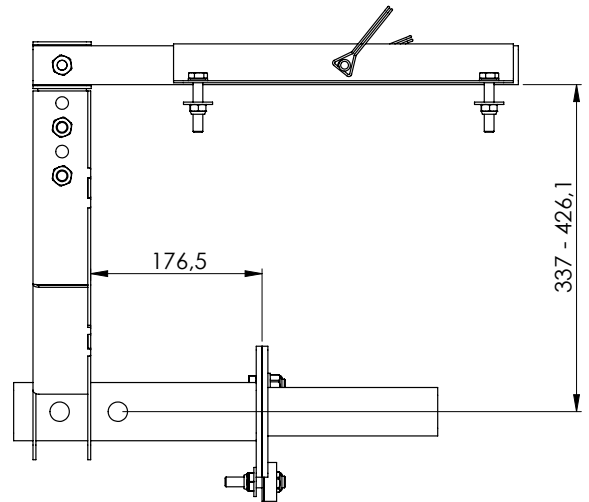
| Item | Qty | Part no. | Description |
|------|-----|----------|------------------------|
| 1 | 1 | H27357 | Bracket |
| 2 | 2 | H23695 | Fork mount |
| 3 | 1 | H27358 | Bracket |
| 4 | 8 | HF13740 | Lockbolt M12x30 8.8 Zn |
| 5 | 24 | HF10480 | Washer DIN 125 M12 A4 |
| 6 | 16 | HF10504 | Nyloc DIN 985 M12 A4 |
| 7 | 2 | H23702 | Pin 19x175 |
| 8 | 8 | HF12673 | Bolt M12x40 8.8 DIN933 |



H40667 - UTV MOUNT KIT

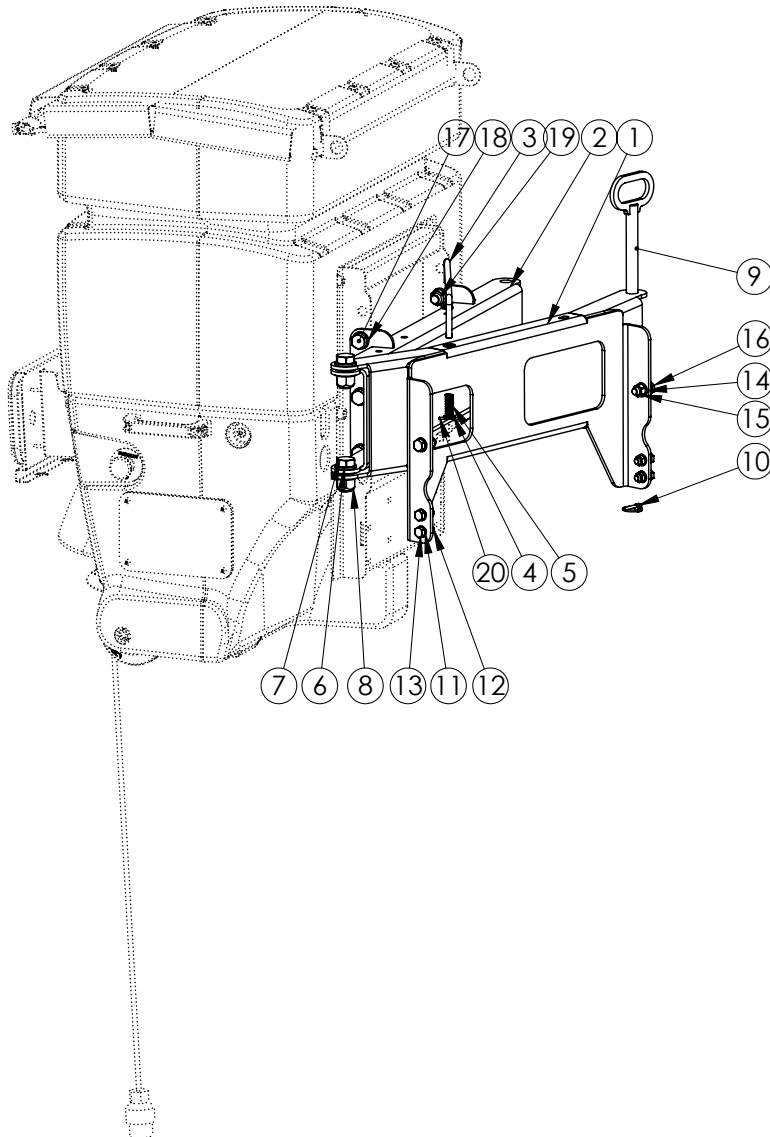
| Item | Qty | Part no. | Description |
|----------|-----|----------|----------------------------------|
| 1 | 2 | H40909 | Bed beam |
| 2 | 2 | H40886 | Beam holder plate |
| 3 | 1 | H40899 | TG 120-300 weld bracket |
| 4 | 2 | H40900 | Adjusting beam |
| 5 | 1 | H40888 | Insert bracket |
| 6.1-6.10 | 1 | H40665 | TG 120-300 UTV Bolt Kit |
| 6.1 | 8 | HF15068 | Lock nut DIN 985/8 M12 |
| 6.2 | 6 | HF12431 | Bolt M12x60 8.8 ZN DIN931 |
| 6.3 | 8 | HF10479 | Washer |
| 6.4 | 8 | HF12658 | Screw_din_933-m10x55 |
| 6.5 | 9 | HF15190 | Washer DIN 9021 ZN M10 |
| 6.6 | 9 | HF15064 | LOCK NUT DIN 985 M10 |
| 6.7 | 2 | HF12671 | Bolt M12x30 8.8 DIN933 |
| 6.8 | 2 | HF10480 | Washer DIN 125 M12 A4 |
| 6.9 | 1 | H23783 | Vibration damper |
| ns | 2 | H28150 | Locking Pin M10 x 60 |
| 7 | 1 | H40296 | Tow hitch mount, bolted, 120-300 |

ns = not shown



H41631 - ALLTRAC 8015F SWING AWAY TAILGATE KIT

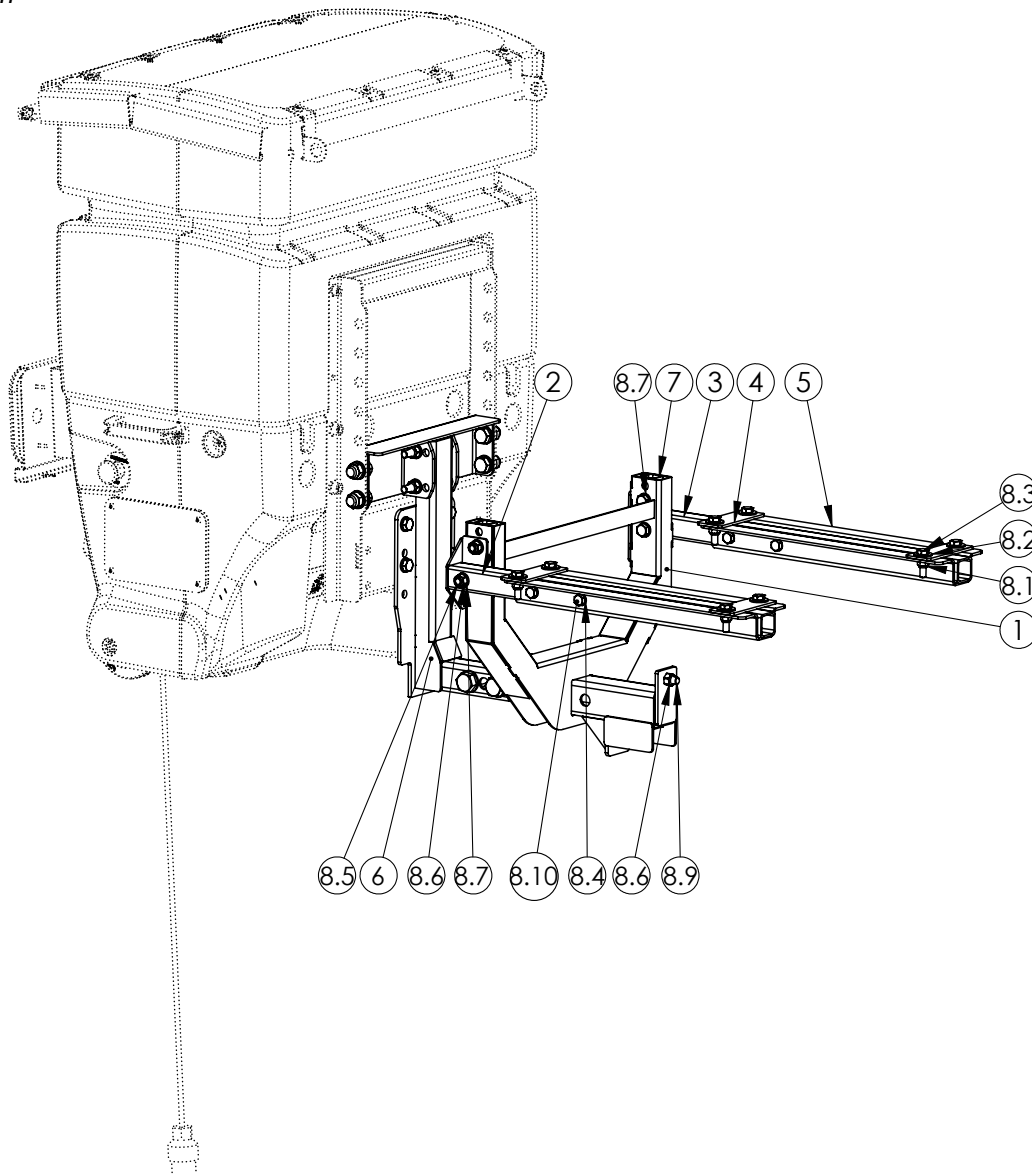
| Item | Qty | Part no. | Description |
|------|-----|----------|--------------------------------|
| 1 | 1 | H41632 | Carrier bracket |
| 2 | 1 | H41635 | Spreader bracket |
| 3 | 1 | H41638 | Swing lock |
| 4 | 2 | HF10479 | Washer |
| 5 | 1 | H23767 | Compression spring 1.5x14.5x50 |
| 6 | 6 | HF15134 | Washer DIN 125 M20 ZN |
| 7 | 2 | HF12733 | DIN 933 8.8 Zn M20x45 |
| 8 | 2 | HF15078 | Lock nut DIN985 8.8 Zn M20 |
| 9 | 1 | H29754 | Lock handle |
| 10 | 1 | H22173 | Locking pin |
| 11 | 8 | HF15127 | Washer DIN 125 M10 |
| 12 | 4 | HF15064 | Lock nut DIN 985 M10 |
| 13 | 4 | HF12653 | Hex Bolt DIN933 8.8 M10x30 ZN |
| 14 | 4 | HF15128 | Washer DIN 125 ZN M12 |
| 15 | 2 | HF15068 | Lock nut DIN 985/8 M12 |
| 16 | 2 | HF12672 | Bolt M12x35 8.8 DIN933 |
| 17 | 6 | HF12706 | Bolt DIN 933 M16x40 Zn. 8.8 |
| 18 | 12 | HF15130 | DIN 125 M16 ZN |
| 19 | 6 | HF15074 | Lock nut DIN985 ZN M16 |
| 20 | 1 | HF19368 | ISO8752 A2 3,5x35 |



H41770 - VW T6 FLATBED MOUNT

| Item | Qty | Part no. | Description |
|----------|-----|----------|--|
| 1 | 1 | H41771 | VW T6 flatbed weld bracket |
| 2 | 1 | H41778 | Beam bracket right |
| 3 | 1 | H41777 | Beam bracket left |
| 4 | 4 | H41782 | Upper Fastening plate |
| 5 | 2 | H41783 | Beam holder plate |
| 6 | 1 | H40296 | Tow hitch mount, bolted, 120-300 liter |
| 7 | 2 | H41784 | Distance beam |
| 8.1-8.10 | 1 | H41785 | Bolt kit VW T6 |
| 8.1 | 12 | HF15064 | Lock nut DIN 985 M10 |
| 8.2 | 8 | HF15190 | Washer DIN 9021 ZN M10 |
| 8.3 | 8 | HF12655 | Bolt M10x40 DIN933 |
| 8.4 | 16 | HF10479 | Washer DIN 125 M10 A4 |
| 8.5 | 2 | HF11696 | Hex Bolt 931/10.9 M12x100 |
| 8.6 | 5 | HF15068 | Lock nut DIN 985/8 M12 |
| 8.7 | 9 | HF10480 | Washer DIN 125 M12 A4 |
| ns | 2 | HF12431 | Bolt M12x60 8.8 ZN DIN931 |
| 8.9 | 1 | HF12671 | Bolt M12x30 8.8 DIN933 |
| 8.10 | 4 | HF12410 | Hex Bolt DIN931 ZN M10x70 |

ns = not shown





Oy HillTip Ab
Pukkisaarentie 6
FIN-68600 Pietarsaari
Finland

+358 50 5983 026
+358 50 3659 415
www.hilltip.com
info@hilltip.com