



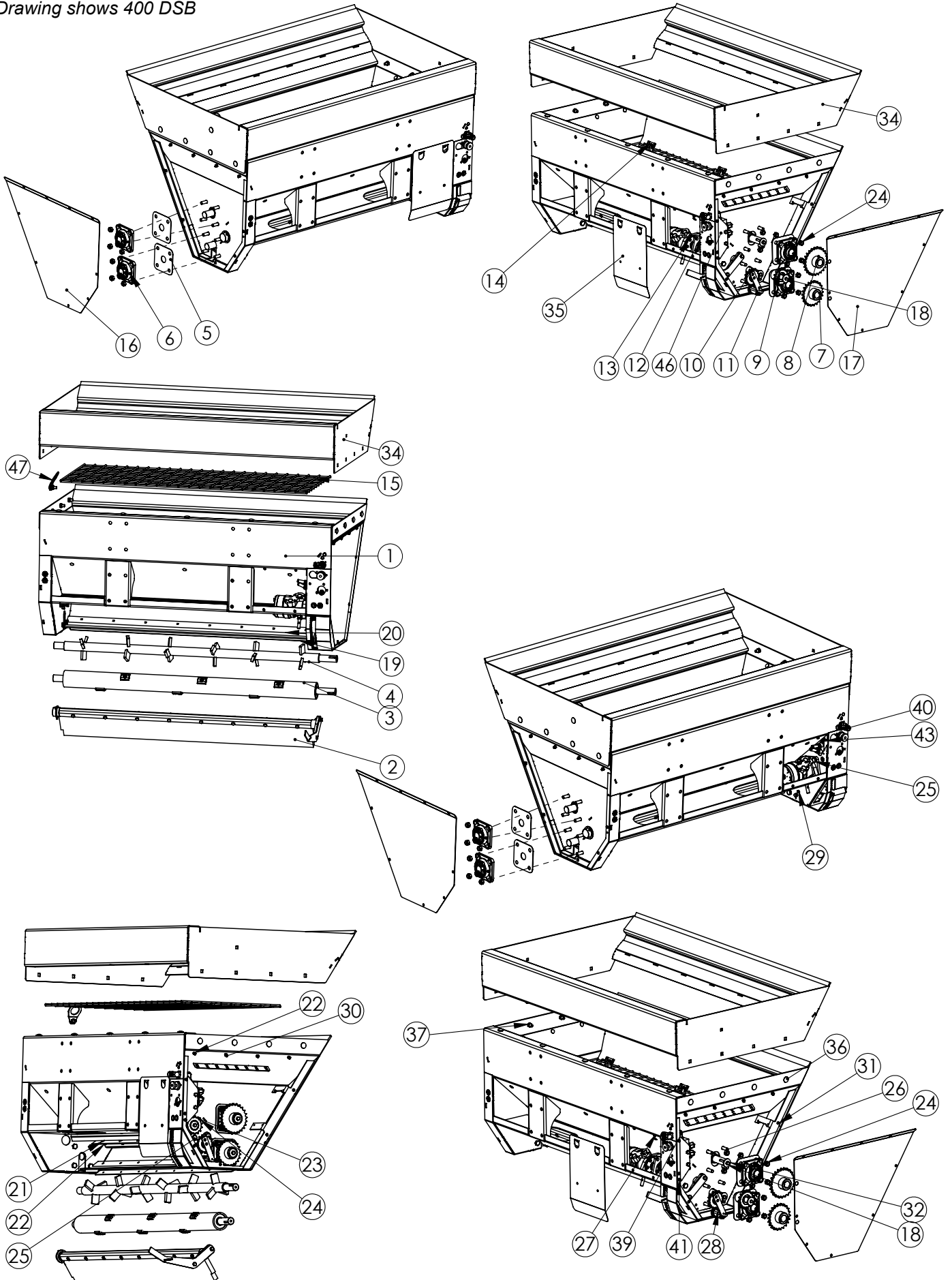
# PARTS LIST

## 220-500 DSB DROP SPREADER

Drop spreader assembly.....	2
Bucket welded parts.....	4
Bottom stopper.....	5
Output roller.....	6
Mixer shaft.....	6
Chain assembly.....	7
Spreader extension.....	7
Hydraulic valve assembly, Conventional control.....	8
Valve assembly, bluetooth & CAN-BUS control.....	8
Cables.....	9
Electrical components.....	9
Controller assembly.....	9

# DROP SPREADER ASSEMBLY

Drawing shows 400 DSB



## DROP SPREADER ASSEMBLY

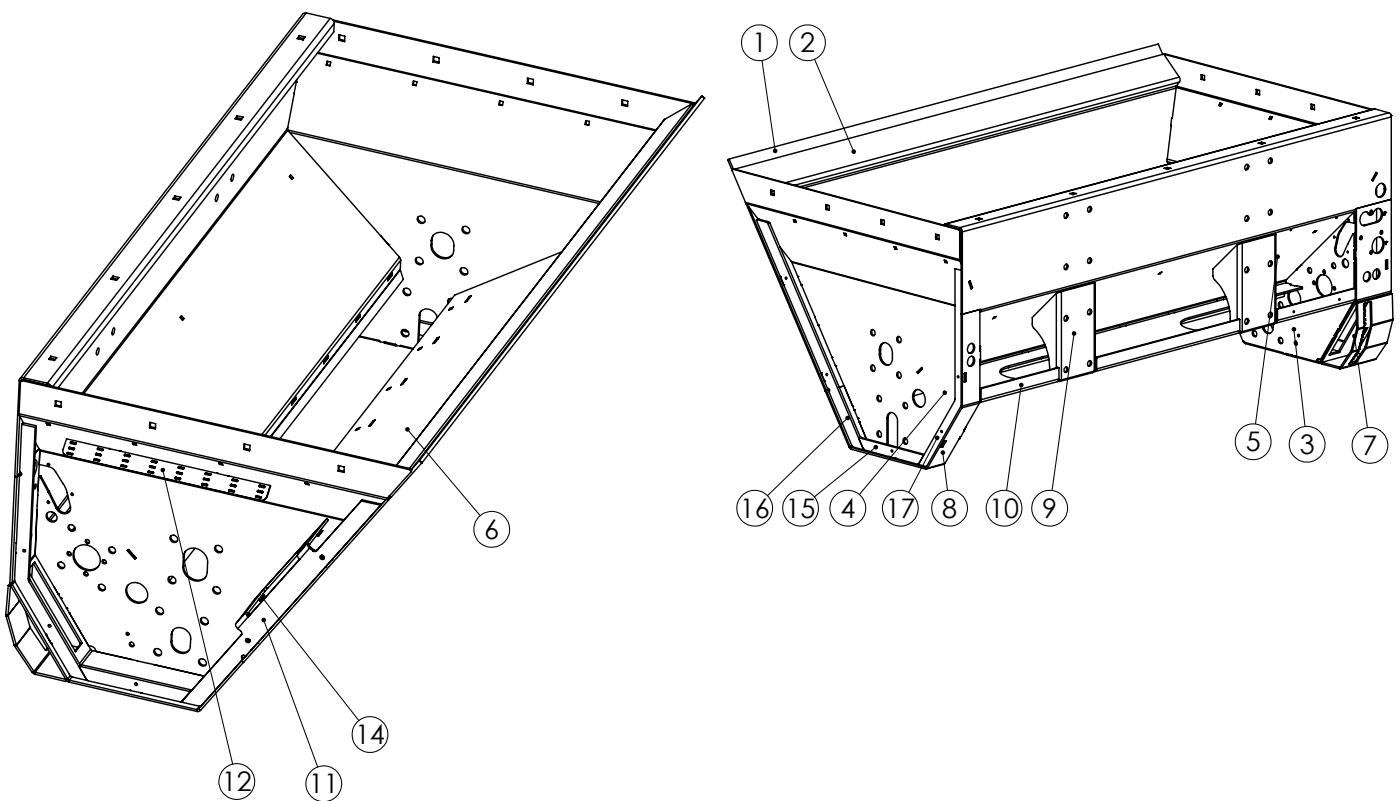
<i>Item</i>	<i>Qty</i>	<i>Part no.</i>	<i>Description</i>	<i>Notes</i>
1	1	H40174	Bucket welded parts for 250, 320, 400 & 500 DSB	See page 4
2	1	H40202	Bottom stopper for 250, 320, 400 & 500 DSB	See page 5
3	1	H40164	Output roller for 250, 320, 400 & 500 DSB	See page 6
4	1	H40161	Mixer shaft for 250, 320, 400 & 500 DSB	See page 6
5	4	H40189	Bearing plate	
6	4	H26719	Bearing	
7	1	H40237	110-22 sprocket with center 5/8"	
8	1	H40236	110-25 sprocket with center 5/8"	
9	1	H40238	210-15 sprocket with center 5/8" hydraulic	
10	1	H40235	Bearing sprocket z15 5/8"	
11	1	H40239	Chain tensioner	
12	1	H40205	Distance plate hydraulic motor	
13	1	H29989	Hydraulic motor	
14	6	H40206	Grid holder	
15	1	H40192	Grid	
16	1	H40191	Side cover	
17	1	H40190	Motor side cover	
18	3	HF12831	Bolt M8x25 8.8 DIN933 ZN	
19	1	H40203	Rubber holder plate	
20	1	H40204	Top rubber for 250, 320, 400 & 500 DSB	
21	8	HF10930	DIN 603 A4 M6x20	
22	22	HF10512	Lock nut M6 A4 DIN985	
23	2	HF12674	Bolt M12x45 8.8 DIN933	
24	20	HF15057	Lock nut DIN 985/10 ZN M12	
25	2	HF12671	Bolt M12x30 8.8 DIN933	
26	16	HF12672	Bolt M12x35 8.8 DIN933	
27	4	HF19338	Hexagon socket head bolt	
28	1	HF19274	Bolt DIN 912 M5x10 A2	
29	1	HF15097	Lock nut DIN 985 ZN M5	
30	14	HF10929	Lock bolt DIN 603 M6x16 A4	
31	10	HF19122	Hexagon socket head bolt	
32	3	HF15191	Washer DIN 9021 ZN M12	
34	1	H41650	Extension 320 DSB	See page 7
	1	H40988	Extension 400 DSB	See page 7
	1	H40685	Extension 500 DSB	See page 7
35	1	H40992	Motor cover plate for 250, 320, 400 & 500 DSB	
36	14	HF13734	DIN 603 8.8 Zn M10x30	
37	14	HF15064	Lock nut DIN 985 M10	
39	3	HH14811	Adjustable 90 deg adapter	
40	1	HH14856	T adapter	
41	2	HF10438	In Hex Bolt M6x16 DIN 4762 A4	
46	1	H41766	Hydraulic valve assembly, Conventional control	See page 8
47	1	H41868	Lift hook plate	

## BUCKET WELDED PARTS

250, 320, 400 & 500 DSB - H40174

220 & 280 DSB - H40369

Item	Qty	Part no.	Description	Notes
1	1	H40175	Cutting edge	
2	1	H40176	Scraper plate	
3	1	H40177	Motor side plate	
4	1	H40178	Side plate	
5	1	H40179	Attachment plate	
6	1	H40180	Bottom plate	
7	1	H40181	Motor side bottom cover	
8	1	H40182	Side bottom cover	
9	2	H40184	Lower attachment plate	
10	1	H40185	Support plate	
11	1	H40186	Module plate	
12	1	H40187	Cable holder	
13	1	H40188	Handle adjuster plate	
14	6	HF10102	Weld nut DIN929 A4 M6	
15	2	H40370	Bottom list plate	
16	1	H40372	Front list plate	
17	2	H40371	Back list plate	

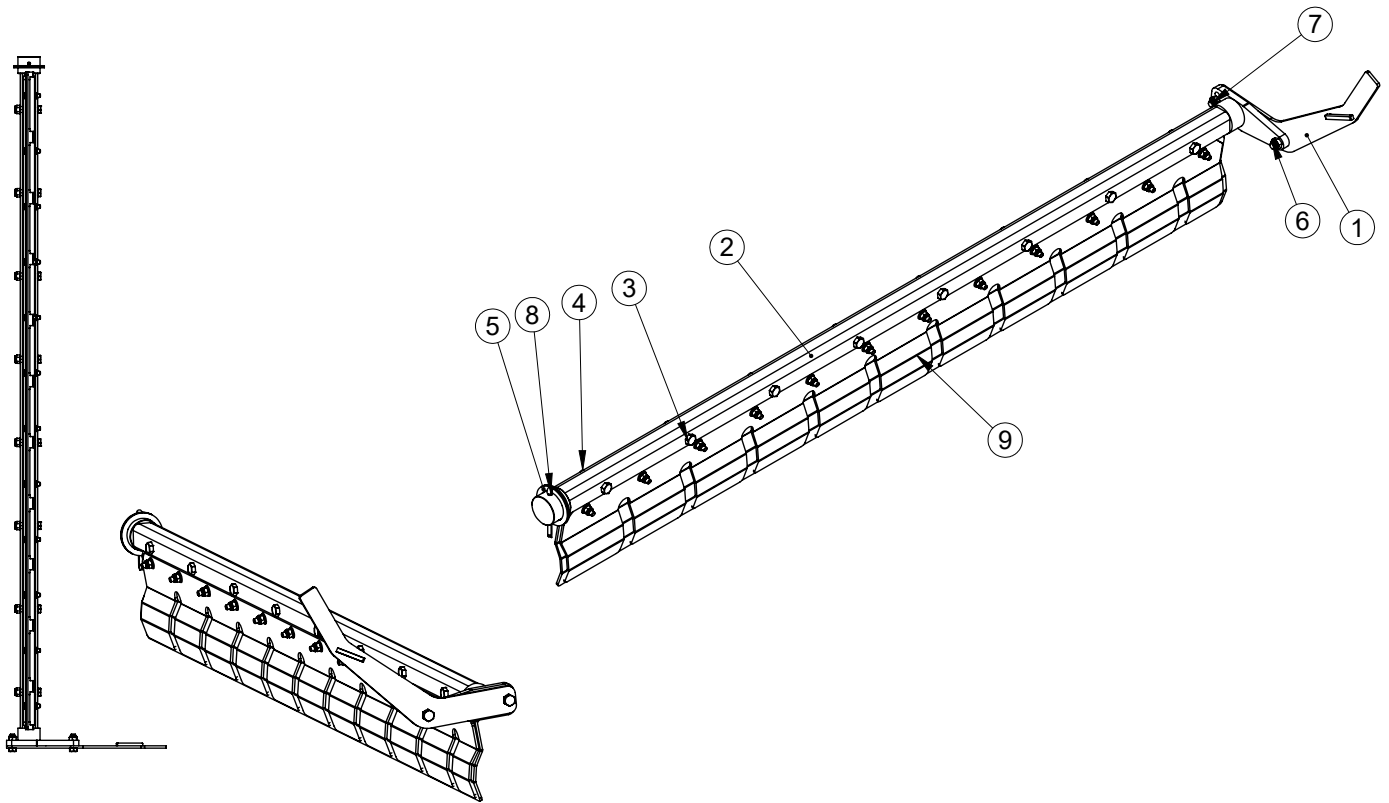


## BOTTOM STOPPER

250, 320, 400 & 500 DSB - H40202

220 & 280 DSB - H40373

Item	Qty	Part no.	Description
1	1	H40201	Handle bracket
2	1	H40194	Bottom stopper welded parts 90, 110, 140 & 180 DSB
	1	H41832	Bottom stopper welded parts 220, 280 DSB
3	8	HF10747	Hex Bolt M8x40 Hex
4	8	HF15376	Nut DIN 6926 M8/1,25
5	2	H40993	Distance plate
6	2	HF10513	Nyloc nut DIN 985 M8 A4-80
7	2	HF10744	Bolt M8*25 8.8 DIN933
8	1	HF16053	Split pin DIN 94 ZN 5x63
9	1	H46529	Roller sand adj bracket - 250, 320, 400, 500 DSB
	1	H46530	Roller sand adj bracket - 220, 280 DSB



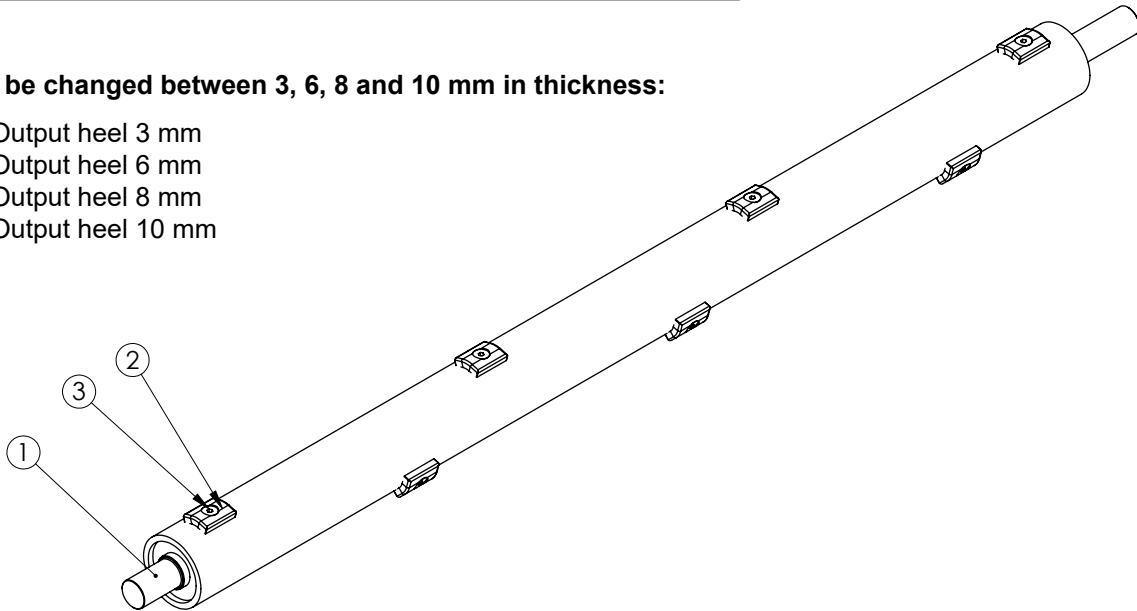
## OUTPUT ROLLER

250, 320, 400 & 500 DSB - H40164  
 220 & 280 DSB - H40374

Item	Qty	Part no.	Description
1	1	H40165	Roller bracket for 250, 320, 400, 500 DSB
2	10	H40172	Output heel 8 mm
3	10	HF10915	DIN 7991 A4 M8x25

Heels can be changed between 3, 6, 8 and 10 mm in thickness:

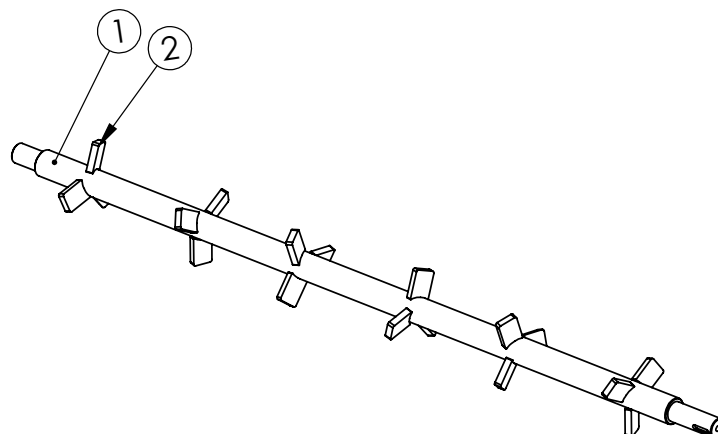
H40170 - Output heel 3 mm  
 H40171 - Output heel 6 mm  
 H40172 - Output heel 8 mm  
 H40173 - Output heel 10 mm



## MIXER BRACKET

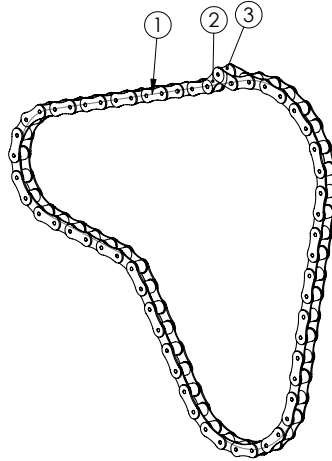
250, 320, 400 & 500 DSB - H40161  
 220 & 280 DSB - H40375

Item	Qty	Part no.	Description
1	1	H40162	Mixer axle for 250, 320, 400, 500 DSB
2	18	H40163	Mixer plate



## CHAIN ASSEMBLY - H40384

Item	Qty	Part no.	Description
1	1	H40248	Chain 5/8" Elite 10B-1
2	1	H40249	Chain joint Elite 10B-1 E
3	1	H40383	Chain 10B half joint



## SPREADER EXTENSION

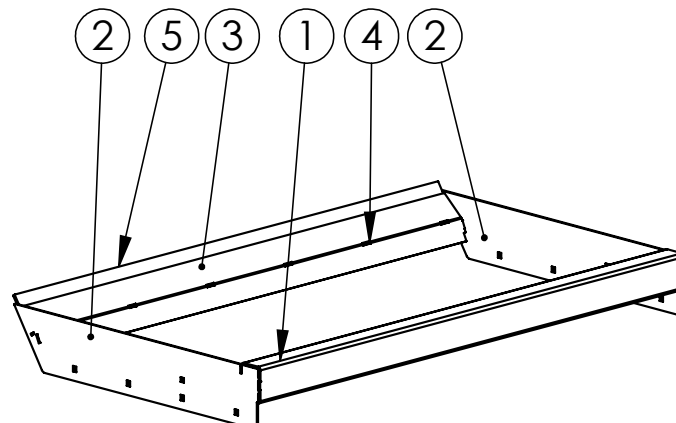
320 DSB - H41650

400 DSB - H40988

500 DSB - H40685

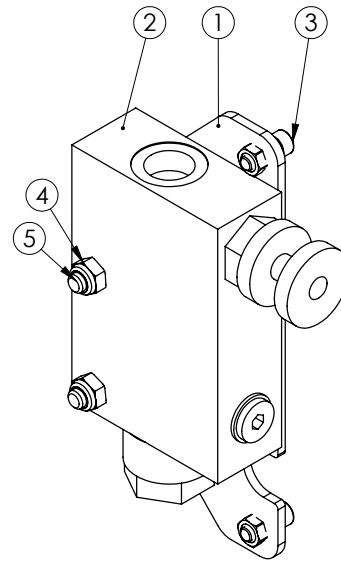
Item	Qty	Part no.	Description
1	1	H41651	Back plate 320 DSB
	1	H40989	Back plate 400 DSB
	1	H40686	Back plate 500 DSB
2	2	H41652	Side plate 320 DSB
	2	H40991	Side plate 400 DSB
	2	H40575	Side plate 500 DSB
3	1	H41653	Joint plate 320 DSB
	1	H40689	Joint plate 400 & 500 DSB
4	1	H41654	Front plate 320 DSB
	1	H40990	Front plate 400 DSB
	1	H40687	Front plate 500 DSB
5	1	H40688	Extension cutting edge 320, 400 & 500 DSB

Drawing shows 320 DSB extension



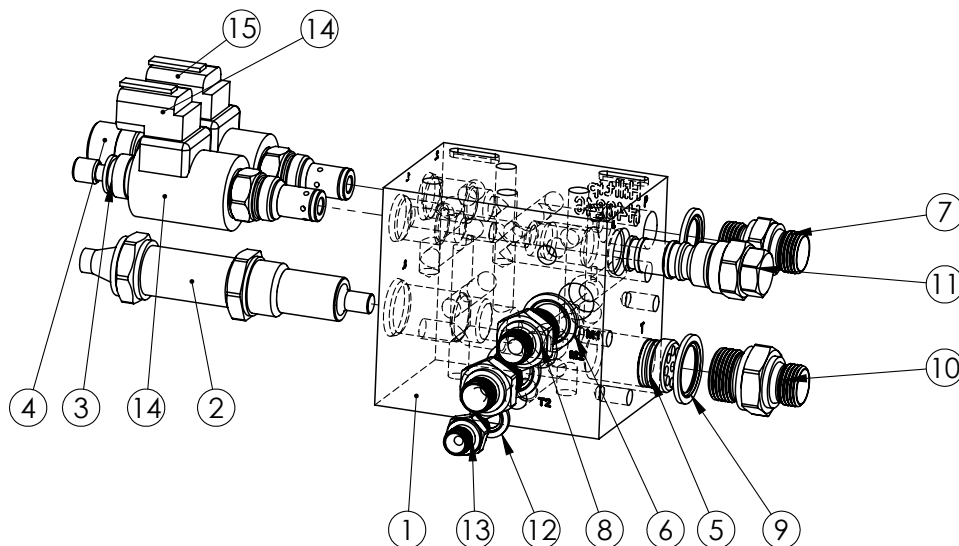
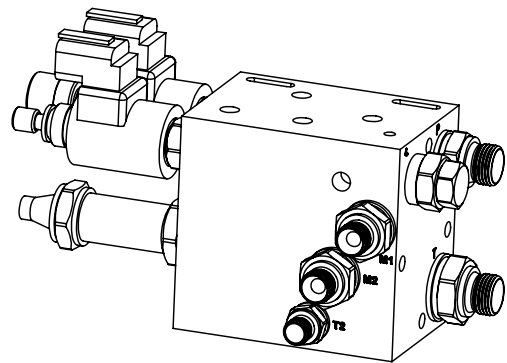
## HYDRAULIC VALVE ASSEMBLY, CONVENTIONAL CONTROL - H41766

Item	Qty	Part no.	Description
1	1	H40997	Valve weld bracket
2	1	H40996	3 way flow control valve
3	2	HF10438	In Hex Bolt M6x16 DIN 4762 A4
4	2	HF10513	Nyloc nut DIN 985 M8 A4-80
5	2	HF10749	Hex Bolt M8x50



## VALVE ASSEMBLY, BLUETOOTH AND CAN-BUS CONTROL - H40245

Item	Qty	Part no.	Description
1	1	H40246	Bucket valve manifold
2	1	H29981	Relief valve
3	1	H29986	2/2 NO poppet valve
4	1	H29983	2/2 NC prop valve
5	1	H29980	Check valve
6	3	HH13010	Bonded seal
7	1	HH14446	BSP Adapter
8	2	HH14442	Male reducer 3/8-1/2
9	1	HH13012	R 3/4" rubber steel washer
10	1	HH14448	Straight adapter
11	1	H29982	Pressure compensator valve
12	1	HH13008	R 1/4" rubber steel washer
13	1	HH14437	Straight fitting 1/4"
14	1	H29987	Coil 12V
15	1	H29984	Coil 12V "propo"



## CABLES

Bluetooth smartphone control, optional:



**H30537**  
Vehicle side power supply harness



**H30538**  
Extension harness



**H30539**  
Spreader to vehicle side harness

Hard wire CAN-BUS control, optional:

**H30541**  
Vehicle side power supply harness

**H30542**  
Extension harness

**H30543**  
Spreader to vehicle side harness

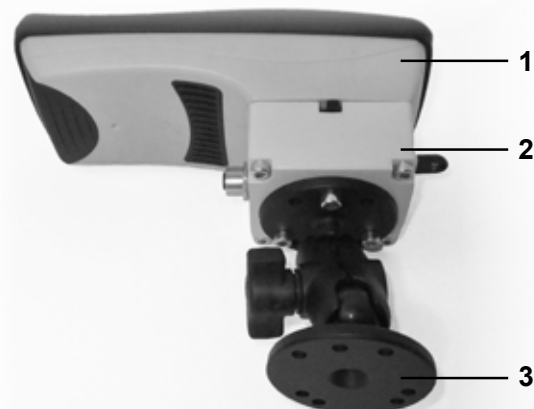
## ELECTRICAL COMPONENTS

Item	Part no.	Description
ns	H30534	DSB spreader module with external antenna connector, optional
ns	H30544	DSB spreader module with CAN-BUS, optional
ns	H40544	LED Rear light kit, optional
ns	H21913	Controller assembly, optional

ns = not shown

## CONTROLLER ASSEMBLY, OPTIONAL - H21913

Item	Part no.	Description
1	H22739	Controller front
2	H22975	Controller circuit assembly
3	H22960	RAM mount





**Oy Hilltip Ab**  
Pukkisaarentie 6  
FIN-68600 Pietarsaari  
Finland

[www.hilltip.com](http://www.hilltip.com)  
[info@hilltip.com](mailto:info@hilltip.com)