



PARTS LIST

550-1100 LITER POLY ELECTRIC SPREADER
(US 800-1450 POLY ELECTRIC SPREADER)

TABLE OF CONTENTS

SPREADER ASSEMBLY	2
ELECTRICAL COMPONENTS	3
CONTROLLER ASSEMBLY	3
CABLES	4
CHUTE ASSEMBLY	5
SPINNER ASSEMBLY	7
END OF MATERIAL SENSOR KIT (OPTIONAL)	7
AUGER DRIVE ASSEMBLY	8
SPINNER MOTOR GEARBOX	9
AUGER MOTOR GEARBOX	10
GEARBOX SEAL KIT	10
TARP COVER ASSEMBLY	11
TARP MECHANISM W/ WIRE OPENING (OPTIONAL)	12
SLIDE STOP KIT (OPTIONAL)	12
LIQUID SYSTEM COMPONENTS (OPTIONAL)	13-16
SPRAY BAR ATTACHMENT	17
SPRAY BAR ASSEMBLY	17
SIDE SPRAY ASSEMBLY	18
3-WAY SPRAY ASSEMBLY	18
LIQUID BLADDER TANK	19
LEVEL INDICATOR ASSEMBLY	20
FLUSH ADAPTER KIT	20
CAM-LOCK ADAPTER	20
HOSE REEL	21
PUMP ASSEMBLY	22
CONNECTORS	23
HEAVY DUTY CONNECTORS	27

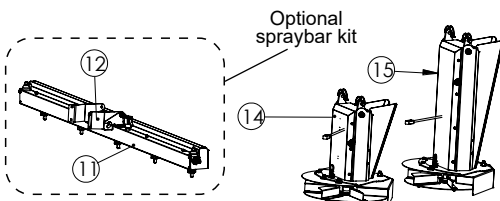
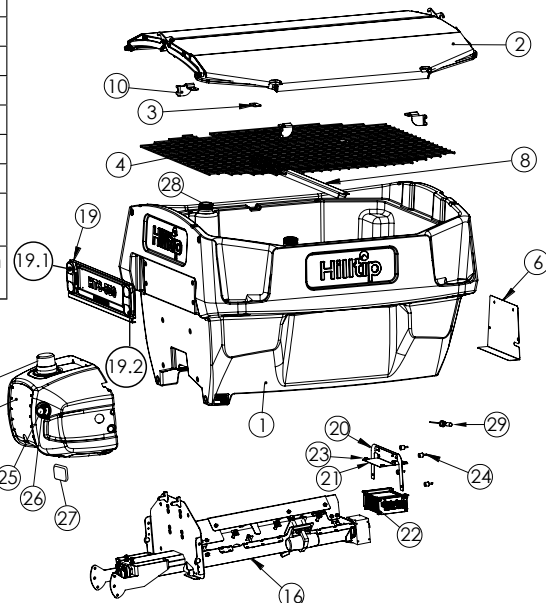
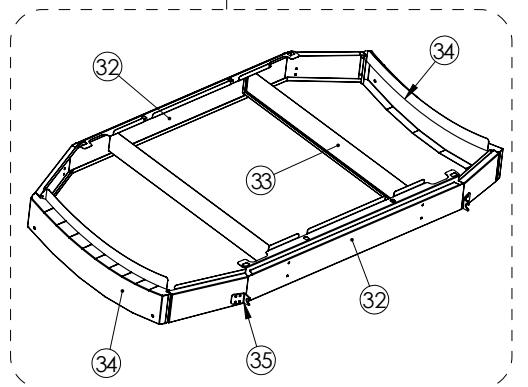
SPREADER ASSEMBLY

Item	Qty	Part no.	Description	Red	Orange	Gray
1	1		IceStriker 550 & 750	H21700	H21701	H21702
	1		IceStriker 850 & 1100	H21801	H21802	H21803
2	1	H21768	Cover assembly (550)			
	1	H22115	Cover assembly (850)			
3	2	H21763	Bracket			
4	1	H21727	Top screen (550 & 750)			
	1	H22133	Top screen (850 & 1100)			
6	1	H21776	Cover plate			
8	1	H22485	Plate			
10	2	H21787	Bracket (right)			
	2	H21788	Bracket (left)			
11	1	H22583	Bar assembly (optional)			
12	1	H23700	Bracket (optional)			
14	1	H24418	Chute assembly (non-current model)			
	1	H42710	Chute assembly (current production model)			
ns	1	H25110	Medium chute assembly (non-current model)			
15	1	H24465	Long chute assembly (non-current model)			
16	1	H25630	Auger drive assembly			
17	1	H22224	Beacon light			
18	1	H28122	Pre-assembled rear cover			
19	1	H21307	Rear light & license plate kit			
19.1	1	H22401	LED rear light assembly, drivers side			
19.2	1	H22402	LED rear light assembly, passenger side			
ns	1	H23437	Cable/7-pin harness			
ns	1	H23436	Cable/13-pin harness			
20	1	H24142	Plate			
21	1	H24143	Bracket			
22	1	H22096	Spreader module 12V			
	1	H30471	Spreader module 24V			
23	4	HF19340	Cage nut M5 Stainless			
24	4	H24772	Vibration dampener SS			
25	1	H22220	Emergency stop button			
26	1	H27644	Emergency stop protective cover			
27	1	H21864	LED work light red (optional)			
	1	H26681	LED work light white (optional)			
28	1	H22091	Tank cap			
29	1	H22645	Level sensor			
ns	1	H22112	Spreader fastening kit			
31	1	H27024	Optional extension kit for model 750 (inform color when placing order)			
	1	H24065	Optional extension kit for model 1100 (inform color when placing order)			
32	2	H24066	Side extension			
33	2	H24071	Cross bar for extension			
34	2	H24068	Short side extension			
35	4	H24423	Bracket			

SPREADER FASTENINGS:

- H22112 Strap set (spreader to vehicle)
- H24275 Turnbuckle set (spreader to legstand)
- H44980 Bolttable undercarriage (spreader to legstand)

31 Optional extension kit for model 1100, H24065



ELECTRICAL COMPONENTS

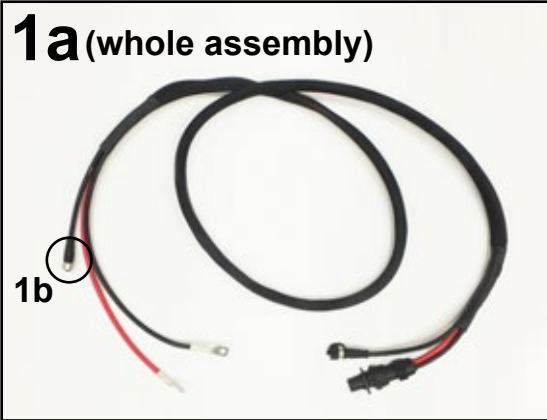
<i>Part no.</i>	<i>Description</i>
H21694	Vehicle side harness assembly
H22120	Extension harness 5m (optional)
H23205	Extension harness 2m (optional)
H21913	Controller Assembly
H25054	Spreader side harness, 550
H25055	Spreader side harness, 850 & 1100
H22758	Spreader side harness to vehicle side harness, 550 & 850 & 1100 (battery + data cable)
H22096	Spreader module 12V
H30471	Spreader module 24V
H23206	GPS antenna kit
H26257	Optional passive GPS antenna
H22756	Vehicle side 8-pin harness
H22761	Spreader side 8-pin harness (out in front)
H23084	Work light split adapter cable (optional)

CONTROLLER ASSEMBLY - H21913



<i>Item</i>	<i>Part no.</i>	<i>Description</i>
1	H22739	Controller front
2	H22975	Controller circuit assembly
3	H22960	RAM mount

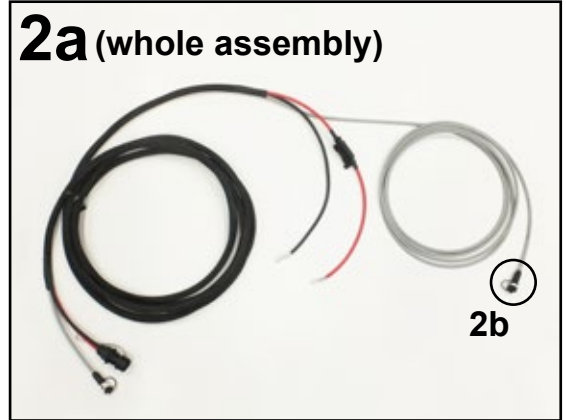
CABLES



1a (whole assembly)

1b

- 1a. H22758** Spreader side harness to vehicle side harness (battery + data cable)
- 1b. H22761** Spreader side 8-pin harness 2m



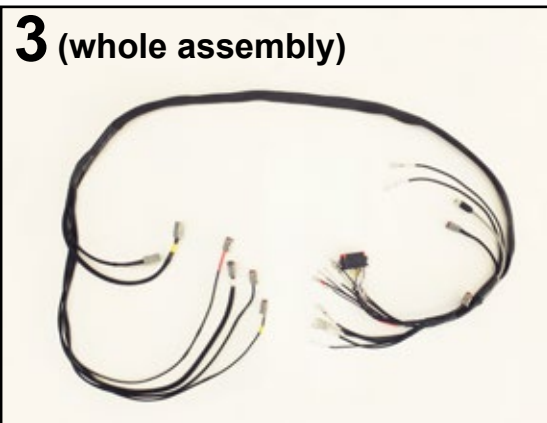
2a (whole assembly)

2b

- 2a. H21694** Vehicle side harness assembly
- 2b. H22756** Vehicle side 8-pin harness

HEAVY DUTY HARNESS (OPTIONAL)

- H30374** Vehicle side harness, Heavy Duty
- H30375** Spreader side harness, Heavy Duty



3 (whole assembly)

- 3. H25054** Spreader side harness, 550 & 750
- H25055** Spreader side harness, 850 & 1100



4 (OPTIONAL)

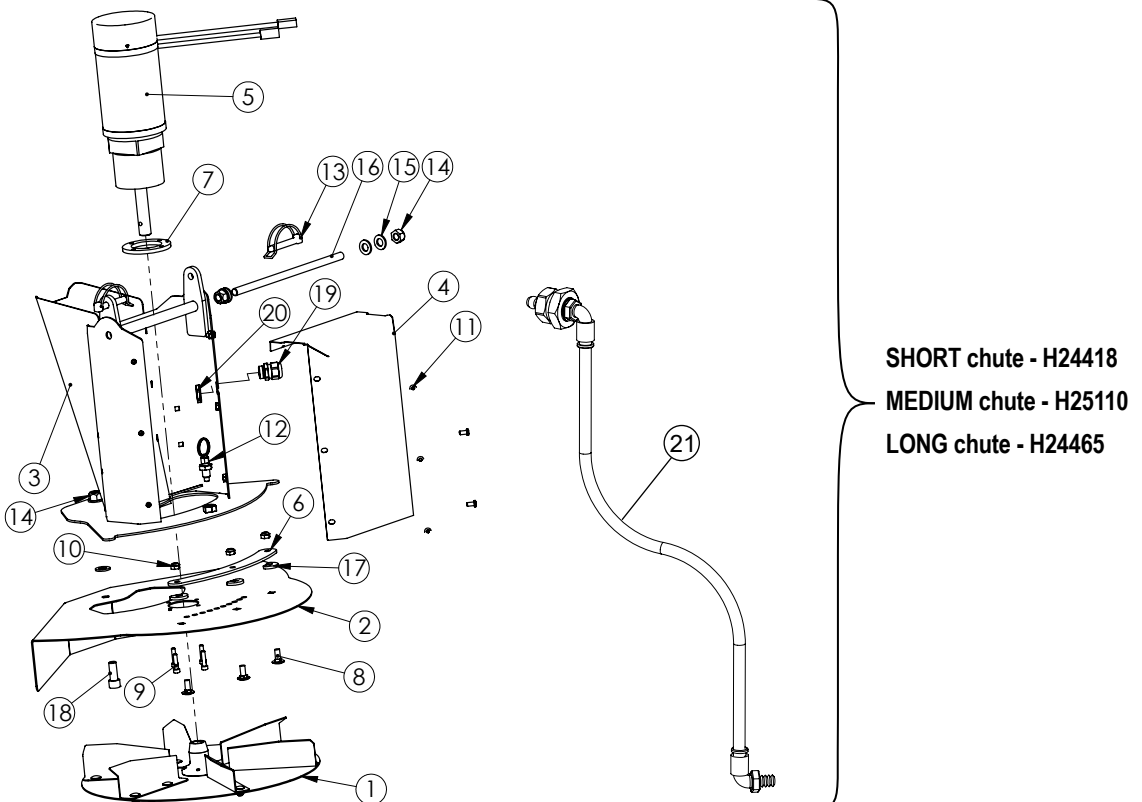
- 4. H23205** Optional extension harness, 2m
- H22120** Optional extension harness, 5m

See page 23-27 for list of cable connectors.

CHUTE ASSEMBLY

NOTE! Non-Current
production model, serial
number up to
→ xxxxx.20243012.015314

Item	Description	Qty	Part no		
			Short	Medium (+15 cm)	Long (+25 cm)
	Chute assembly	1	H24418	H25110	H24465
1	Spinner assembly	1	H43646		
2	Spinner cover	1	H22519		
3	Chute	1	H22523	H25111	H24466
4	Cover	1	H22522	H25115	H24469
5	Motor gearbox assembly	1	H24419		
6	Bracket	1	H22521		
7	Gearbox plastic spacer	1	H28523		
8	Lockbolt M8x20 A4 ISO 8677	3	HF10935		
9	Bolt M6x25 DIN 912 A4	4	HF10440		
10	Nylock M8 A4	3	HF10513		
11	Hexagon socket head bolt		HF19122 (6 pcs / 8 pcs / 8 pcs)		
12	Index plunger	1	H22644		
13	Pipe linch pin 10x60	2	H23210		
14	Nyloc DIN 985 M12 A4	3	HF10504		
15	Washer DIN 125 M12 A4	6	HF10480		
16	Thread bar M12	1	H25841		
17	Washer	3	H25140		
18	DIN 912 M12x30 A4	1	HF10390		
19	Cable gland M20x1,5	1	H21901		
20	Cable gland nut M20	1	H25842		
21	Spinner motor grease assembly	1	H43052		

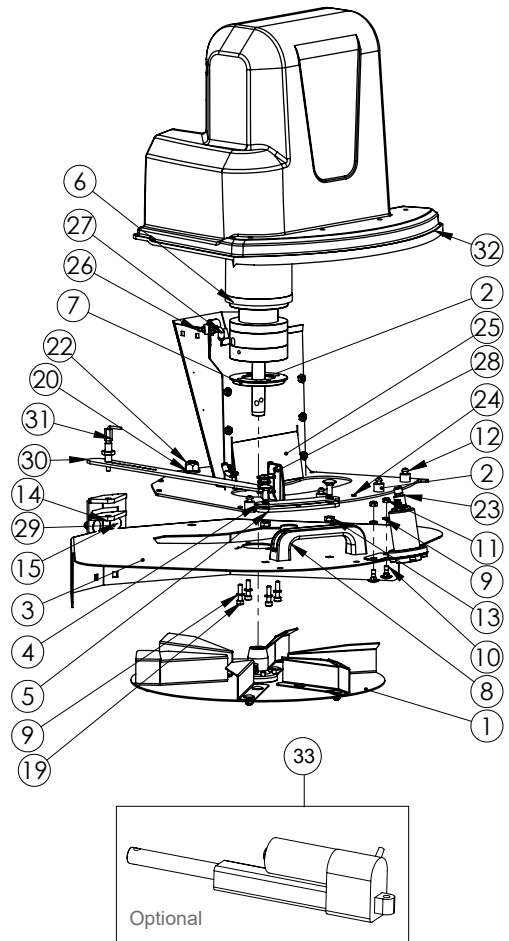


CHUTE ASSEMBLY

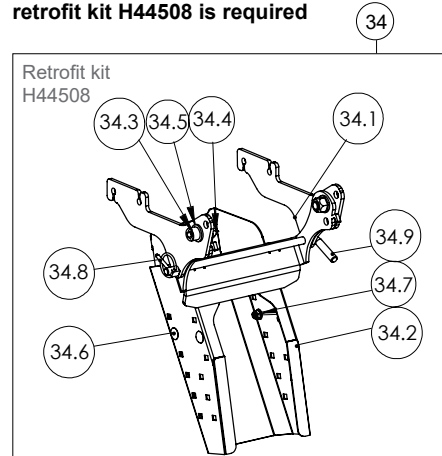
- H28773 – Chute assembly 12V
- H28773-1 – Chute assembly 12V (incl. linear motor)
- H28773-24V – Chute assembly 24V
- H28773-24V-1 – Chute assembly 24V (incl. linear motor)

NOTE! Current production model from March 2024, serial number starting from xxxxx.20243012.015315 →

Item	Qty	Part no.	Description
1	1	H43646	Spinner assembly
2	1	H42698	Lower chute
3	1	H42696	Spinner cover
4	1	H41411	Plate
5	1	H42711	Distance 5mm
6	1	H28905	Motor gearbox assembly
7	1	H28523	Gearbox plastic spacer Ø90-8
8	1	H26949	Handle
9	6	HF10501	Washer M6 A4 DIN 127
10	2	HF10929	Lock bolt DIN603 M6x16 A4
11	2	HF10512	Lock nut M6 A4 DIN985
12	4	HF19123	ISO 7380 A4 M6x16 ISO 7380 A4 M6x16
13	2	HF10513	Nyloc nut DIN 985 M8 A4-80
14	4	HF10935	Lock bolt DIN 603 A4 M8x20
15	2	HF19405	Flange nyloc A4 M8
16	1	HF19411	ISO 7380 A4 M10x30 I
17	1	HF10479	Washer DIN 125 M10 A4
18	1	HF10503	Lock nut M10
19	4	HF10440	Bolt M6x25 DIN 912 A4
20	2	HF10480	Washer DIN 125 M12 A4
21	1	HF10389	DIN 912 M12x25 A4
22	1	HF10504	Nyloc DIN 985 M12 A4
23	1	H27706	EOM Sensor kit (optional)
24	6	H41302	Anti Friction plug
25	1	H41670	Nozzle 6mm,M16 Ø25-80 (optional)
26	1	HF16544	Grease nipple m6
27	2	HH16087	Adjustable 90deg CL connector 6mm/M6
28	1	H42232	Bracket
29	1	H42693	Linear bracket front
30	1	H42703	Adjuster arm
31	1	H44022	Indexing plunger M10
32	1	H42420	Spinner motor cover, black
33	1	H30664	12V Linear actuator 100mm (optional)
33	1	H30665	24V Linear actuator 100mm (optional)
34	1	H44508	Non-current chute model → current chute model retrofit kit
34.1	2	H44016	Chute bracket 550
34.2	1	H44017	Upper chute standard
34.2	1	H43971	Upper chute +25cm (including cover)
34.3	2	HF10390	DIN 912 M12x30 A4
34.4	2	HF10504	Nyloc DIN 985 M12 A4
34.5	4	HF10480	Washer DIN 125 M12 A4
34.6	4	HF19361	Lockbolt M6x16 Lockbolt M6x16
34.7	4	HF15375	DIN 6926 8.8 Zn M6 DIN 6926 8.8 Zn M6
34.8	1	H28829	Linch pin SS 4,5mm IKH T0456
34.9	1	H40225	Locking pin Ø10-300

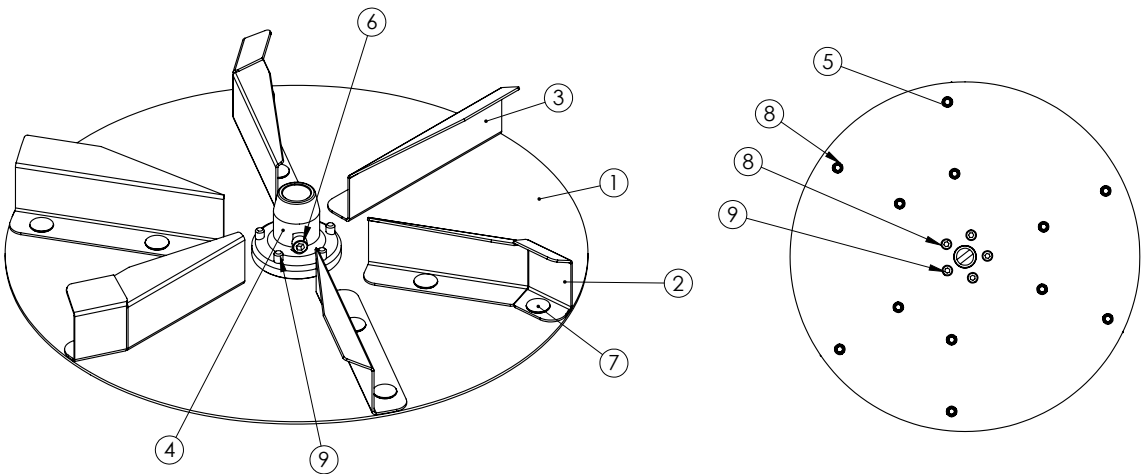


To upgrade the non-current chute model (serial number up to → xxxxx.20243012.015314) to the current model H42710 with serial number from → xxxxx.20243012.015315, the retrofit kit H44508 is required



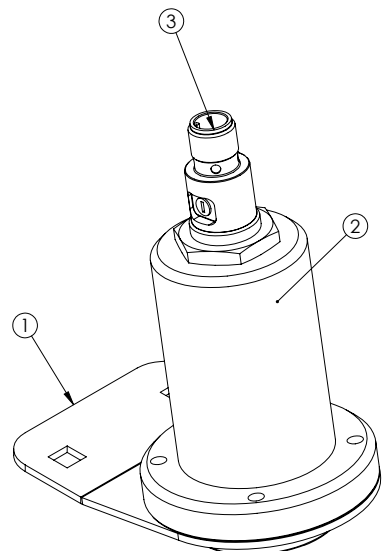
SPINNER ASSEMBLY - H43646

Item	Qty	Part no.	Description
1	1	H43647	Plate
2	3	H43648	Bended wing
3	3	H23083	Wing plate
4	1	H21756	Bush Ø60-52
5	13	HF10512	LOCK NUT M6 A4 DIN 985
6	1	HF10443	M6x40 DIN 4762 A4
7	12	HF19113	Lock bolt M6x12 A4
8	17	HF10501	Washer M6 A4 DIN 127
9	5	HF10439	Bolt M6x20 DIN 912 A4



END OF MATERIAL SENSOR KIT, OPTIONAL - H27706

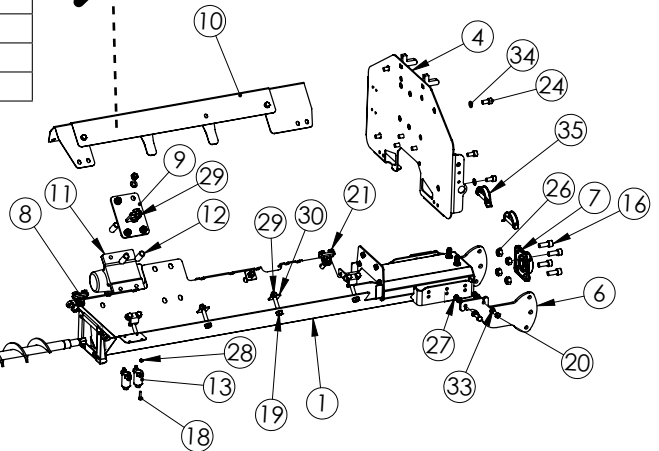
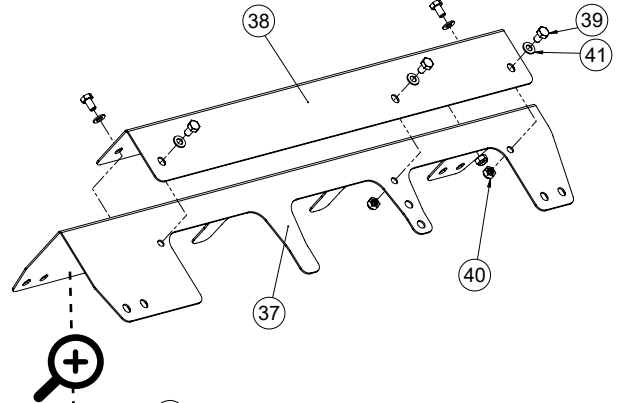
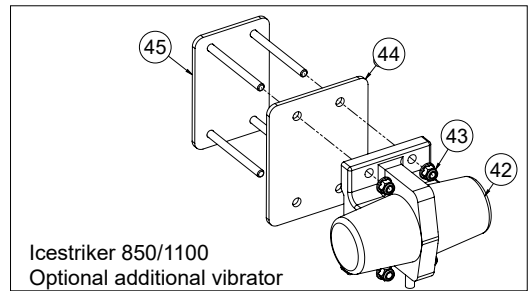
Item	Qty	Part no.	Description
1	1	H28019	Sensor bracket
2	1	H28020	Sensor cover
3	1	H28017	EOM sensor
ns	1	H30237	EOM sensor cable



AUGER DRIVE ASSEMBLY - H25630

Item	Qty	Part no.	Description
1	1	H25102	Bottom chute
2	1	H27275	Old type Gearbox seal kit V3.0
		H27575	New type Gearbox seal kit V3.0
3	1	H28599	Auger Motor gearbox assembly
4	1	H24896	Back plate
5	1	H22513	Screw
6	2	H24895	Chute bracket
7	1	H23127	Flange bearing unit stainless
8	4	H21786	Bracket
9	1	H21820	Bracket
10	1	H22529	Invert V Kit adjustable
11	1	H22218	Vibrator 12V
	1	H41659	Vibrator 24V
12	4	H22080	Bush
13	2	H22910	Terminal block M8
14	1	H22081	Retaining ring
15	1	H22082	Parallel key
16	4	HF10390	DIN 912 M12x30 A4
17	2	HF10672	Hex Bolt M10x20
18	4	HF10429	M5x20 DIN 4762
19	7	HF10124	Hex Bolt M10x65
20	4	HF10744	Hex Bolt M8x25
21	8	HF10742	Hex Bolt M8x16
22	4	HF10936	Lockbolt M8x25 A4 ISO 8677
23	4	HF10743	Hex Bolt M8x20
24	8	HF19226	DIN912 A4 M10x20
25	4	HF10386	Hexagon socket head bolt
26	4	HF10504	Nyloc DIN 985 M12 A4
27	12	HF10513	Nylock M8 A4
28	4	HF10511	Lock nut
29	13	HF10503	Lock nut M10
30	3	HF19117	DIN 436 M10 A4
31	8	HF10502	DIN 127B M8 A4
32	21	HF10479	Washer
33	16	HF10492	DIN 125 M8 A4
34	8	HF10493	Lock washer
35	2	H23210	Pipe linch pin 10x60
36	1	H25645	Gearbox flange

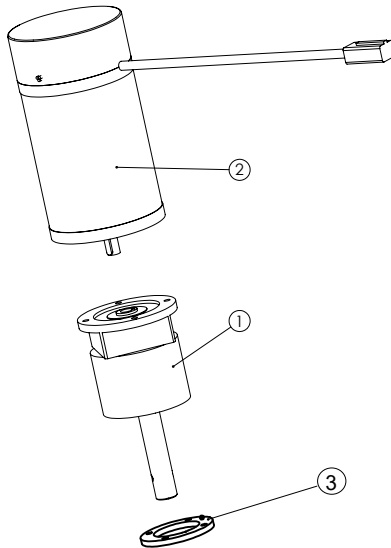
Item	Qty	Part no.	Description
37	1	H22530	Inverted V
38	1	H22531	Plate
39	5	HF19348	Bolt M8x14 DIN933 A4
40	5	HF10513	Nylock M8 A4
41	5	HF10492	DIN 125 M8 A4
42	1	H22218	Vibrator 12V (optional)
	1	H41659	Vibrator 24V (optional)
43	4	HF19405	Flange nyloc A4 M8 (optional)
44	1	H44507	Plate (optional)
45	1	H28855	Vibrator bracket (optional)



SPINNER MOTOR GEARBOX ASSEMBLY - H24419

Item	Qty	Part no.	Description
1	1	H22732	Gearbox
2	1	H22216	Electrical motor 12V
	1	H30447	Electrical motor 24V
3	1	H28523	Gearbox plastic spacer

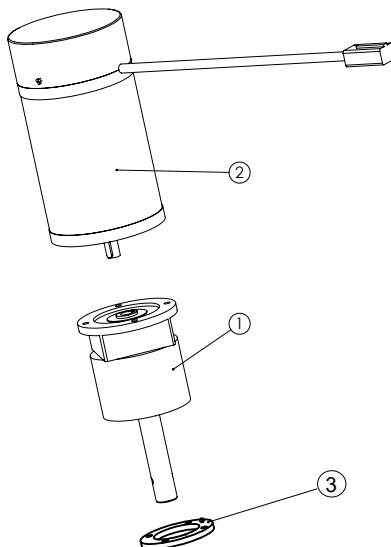
NOTE! Non-Current production model, serial number up to → xxxxx.20243012.015314



SPINNER MOTOR GEARBOX ASSEMBLY - H28905

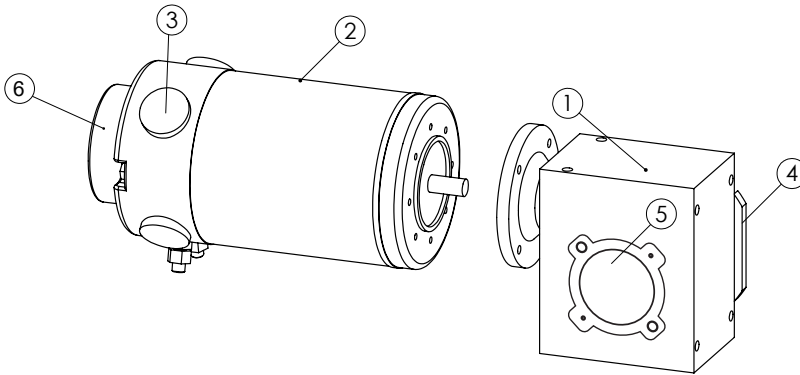
Item	Qty	Part no.	Description
1	1	H22732	Gearbox
2	1	H30255	Electrical motor 12V
	1	H30447	Electrical motor 24V
3	1	H28523	Gearbox plastic spacer

NOTE! Current production model from March 2024, serial number starting from xxxxx.20243012.015315 →



AUGER MOTOR GEARBOX ASSEMBLY - H28599

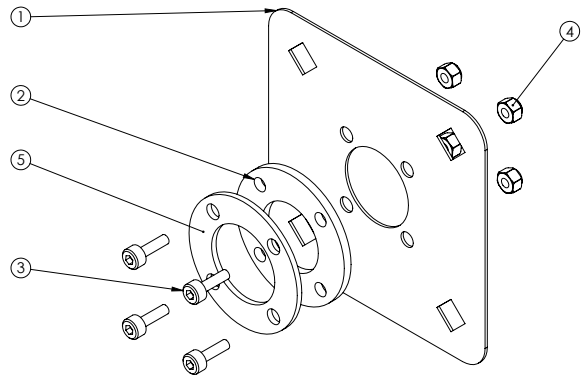
Item	Qty	Part no.	Description
1	1	H25649	Gearbox for Plus spreaders
2	1	H24794	Motor Assembly 12V
	1	H30567	Motor Assembly 24V
3	4	H26588	Brush for electrical motor
4	1	H25645	Gearbox flange
5	1	H44419	Gearbox safety cover
6	1	H30315	Encoder assembly



GEARBOX SEAL KIT V3.0 - H27275, H27575

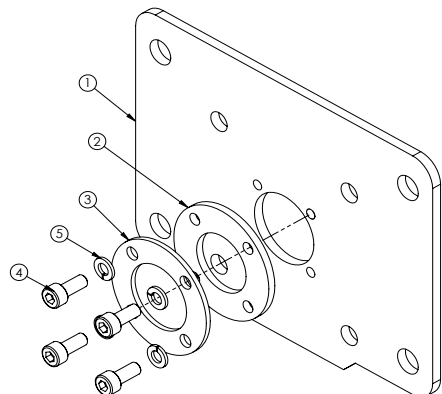
Old type H27275

Item	Qty	Part no.	Description
1	1	H27274	Plate
2	1	H27052	Polyurethane seal
3	1	HF10418	DIN912 A4 M4x12
4	4	HF10510	Lock nut M4
5	4	H27051	Seal Plate



New type H27575

Item	Qty	Part no.	Description
1	1	H25107	Plate
2	1	H27052	Polyurethane seal
3	1	H27051	Seal Plate
4	4	HF10427	M5x12 DIN 4762 A4
5	4	HF10500	DIN 127A4 M5



TARP COVER ASSEMBLY

 MODEL 550
H21768*

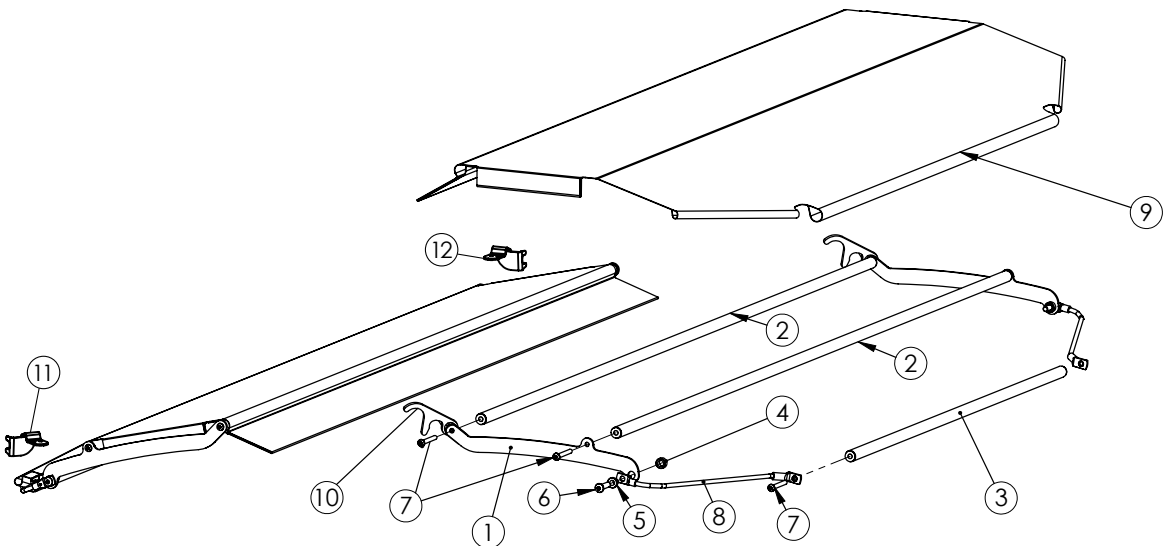
 MODEL 850
H22115*

 MODEL 1100
H26150*

Kit	Item	Qty	Part no.	Description
Model 550 & 850: Cover fixation kit - H22135	1	4	H21785	Bracket*
	ns	1	H22134	Bolt bag, Cover
	8	4	H21854	Cover fixation assembly
	10	2	H22488	Hook*
	11	2	H21787	Bracket
	12	2	H21788	Bracket
Model 1100 & 750: Cover fixation kit - H21809	1	4	H21785	Bracket*
	ns	1	H22134	Bolt bag, Cover
	8	4	H21854	Cover fixation assembly
	10	2	H22488	Hook*
	ns	4	H24423	Bracket
	ns	16	HF19367	Lock bolt M6
	ns	16	HF10474	Lock nut M6
Bolt bag H22134	4	4	H21774	Washer
	5	4	H21773	Bush
	6	4	HF11010	Hexagon socket head bolt M10
	7	12	HF19126	Hexagon socket head bolt M8
	ns	4	HF10745	Hexagon socket head bolt M8
	ns	4	HF10502	Lock washer M8
	Model 550 & 750: Cover and pipes-kit - H26125	2	4	H22089
3		2	H22088	Pipe assembly, 550 & 750
9		2	H22500	Cover, 550 & 750*
Model 850 & 1100: Cover and pipes-kit - H26126	2	4	H22117	Pipe assembly, 850 & 1100
	3	2	H22116	Pipe assembly, 850 & 1100
	9	2	H22501	Cover, 850 & 1100 *

* updated parts since 2014

ns = not shown

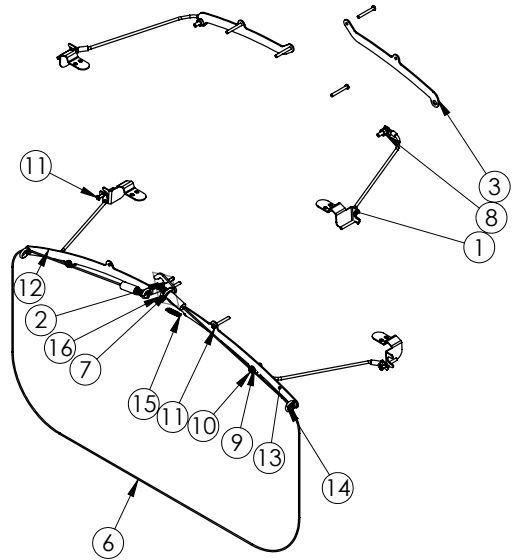


TARP MECHANISM WITH WIRE OPENING (OPTIONAL)

H46422 – Assembly for 550/850

H46420 – Assembly for 750/1100

Item	Qty	Part no.	Description
1	4	H21854	Rubber wire assembly
2	1	H43263	Hook 550-1100
3	2	H21785	Plate
4	2	H21788	Bracket
5	2	H21787	Bracket
6	1	H46421	Wire assembly 850-1100
7	1	HF10743	Hex Bolt M8x20
8	4	H21774	Washer
9	4	H21773	Bush
10	4	HF11010	Socket head bolt M10x40
11	12	HF19118	Hexagon socket head bolt
12	1	H43261	Left tarp plate 550-1100
13	1	H43262	Right tarp plate 550-1100
14	4	H27685	Lifting eye nut DIN582 A4 M8
15	1	H27674	Extension spring SS 1,5x12x50
16	1	HF10439	Bolt M6x20 DIN 912 A4



SLIDE STOP KIT (OPTIONAL)

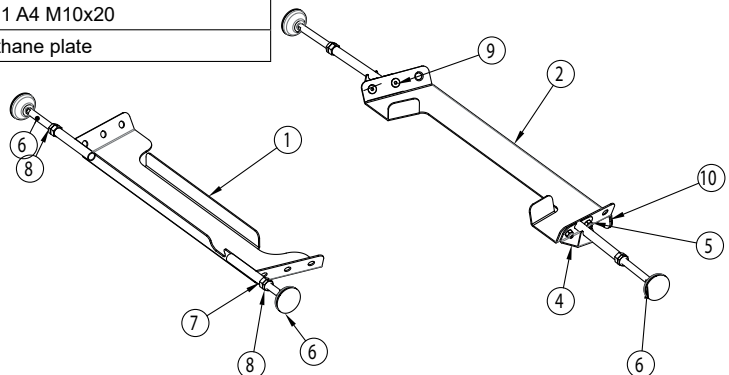
MODEL 550-750

H25036

MODEL 850-1100

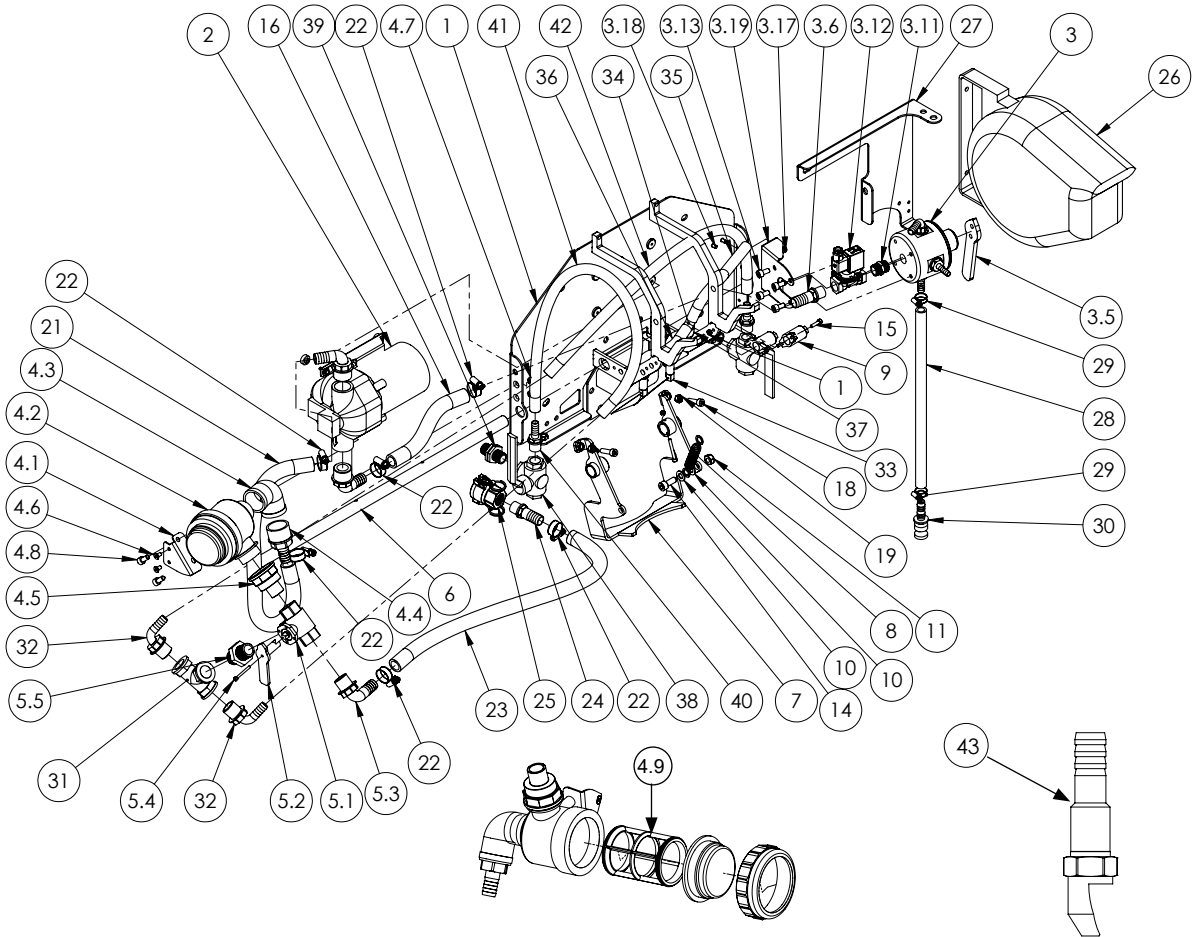
H26012

Item	Qty	Part no.	Description
1	1	H26013	Bracket
2	1	H26015	Bracket
3	1	H26016	Bracket
4	1	H26019	Bracket
5	4	HF10503	Lock nut M10
6	4	H26021	Levelling feet
8	8	HF19388	Low nut DIN 936 A4 M16
9	4	HF10876	DIN 7991 A4 M10x20
10	1	H27243	Polyurethane plate



LIQUID SYSTEM COMPONENTS (OPTIONAL)

NOTE! Non-Current production model, serial number up to → XXXXX.20250319.018093



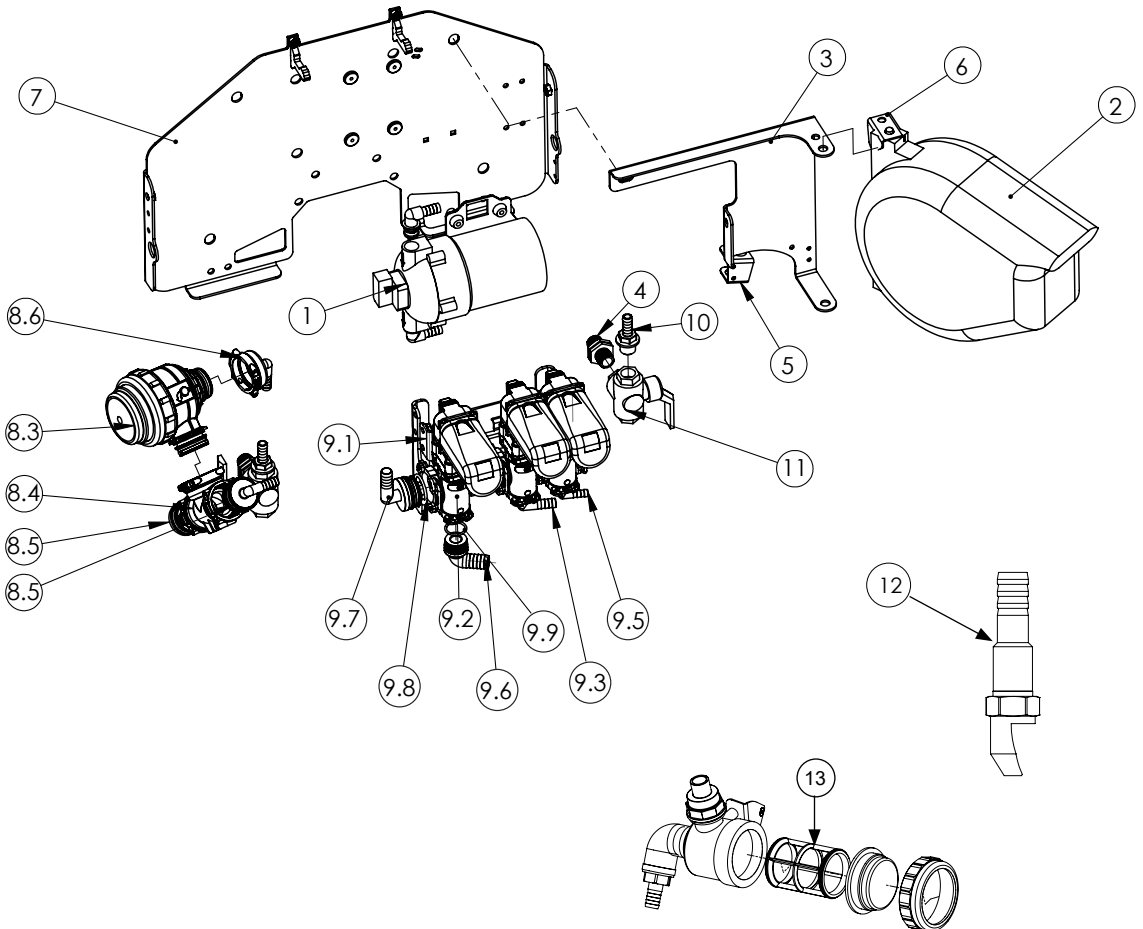
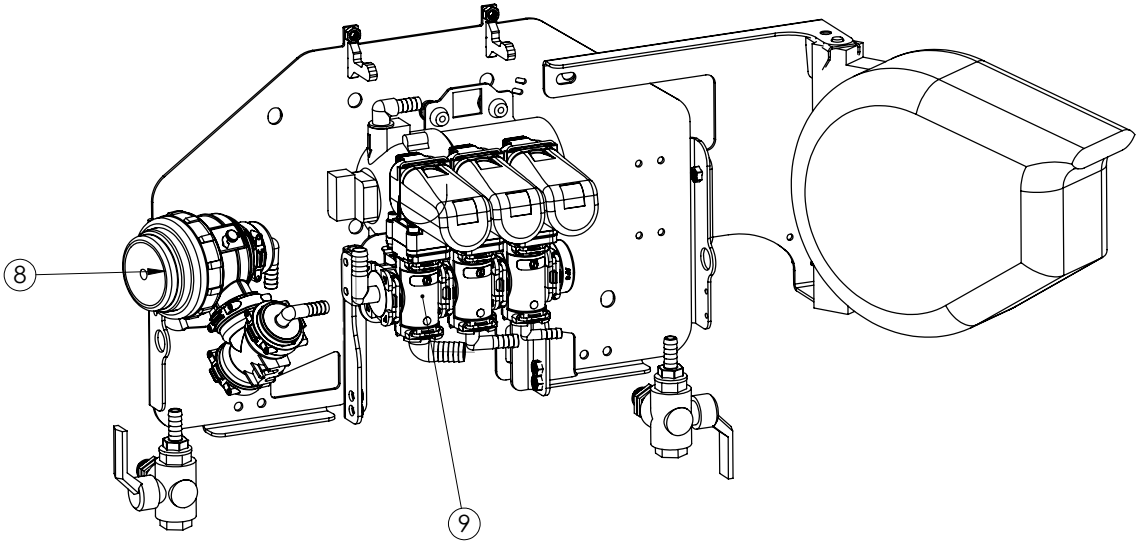
Item	Qty	Part no.	Description	Notes
1	1	H21739	Bracket	
2	1	H25338	Pump Assembly 12V	See page 22 for exploded view
	1	H30321	Pump Assembly 24V	
3	1	H22983	Valve assembly	Needed for spraybar and/or hand spray
3.5	1	H22912	Handle	Needed for spraybar and/or hand spray
3.6	1	H22955	Straight hose fitting G1/2-20	
3.11	1	H22990	Threaded fitting 1/2"	Needed for spraybar and/or hand spray
3.12	1	H28015	Solenoid 2/2-valve, 1/2" 12V assembly	
	1	H28016	Solenoid 2/2-valve, 1/2" 24V assembly	
3.13	4	HF10457	DIN 912 M8x16 A4	Needed for spraybar and/or hand spray
3.17	4	HF10512	LOCK NUT M6 A4 DIN985	Needed for spraybar and/or hand spray
3.18	4	HF10904	DIN 7991 A4 M6x12	Needed for spraybar and/or hand spray
3.19	1	H22920	Bracket	Needed for spraybar and/or hand spray
4	1	H22998	Filter assembly	
4.1	1	H22919	Bracket	
4.2	1	H22947	Suction filter	
4.3	1	H22948	Elbow 90 deg. F G1 1/4"-F G1 1/4"	

NOTE! Non-Current production model, serial number up to → XXXXX.20250319.018093

4.4	1	H22956	Straight hose fitting G 1 1/4-20	
4.5	1	H22949	Nipple F G11/4"-M G3/4"	
4.6	2	HF10904	DIN 7991 A4 M6x12	
4.7	2	HF10512	LOCK NUT M6 A4 DIN985	
4.8	2	HF10457	DIN 912 M8x16 A4	
4.9	1	H23552	Filter	
5	1	H23006	Ball valve Assembly	Only with Liquid bladder tank
5.1	1	HH16070	3-way valve	Only with Liquid bladder tank
5.2	1	H23000	Handle	Only with Liquid bladder tank
5.3	1	H22951	90 deg hose fitting G3/4"-20	Only with Liquid bladder tank
5.4	1	HF10423	M4x40 DIN 4762	Only with Liquid bladder tank
5.5	1	H23028	Threaded fitting 3/4"	Only with Liquid bladder tank
6	1	H21790	Pipe	
7	1	H21747	Bracket	
8	1	H22092	Spring	
9	2	H22910	Terminal block M8	
10	4	HF10479	Washer	
11	2	HF10503	LOCK NUT M10	
14	1	HF10379	Hexagon socket head bolt	
15	4	HF10429	M5x20 DIN 4762	
16	1	Hose	Hose	
18	2	HF10460	DIN 912 M8x30 A4	
19	2	HF15053	DIN934 A4-80 M8	
21	1	Hose	Hose	
22	6	HH12266	Hose Clamp 15-24	
23	1	H22982	Hose 3/8" 950 mm	Only with Liquid bladder tank
24	1	H22652	Hose connector	Only with Liquid bladder tank
25	1	H22935	Quick coupling - female	Only with Liquid bladder tank
26	1	H22540	Hose reel	Only with hand spray, see page 22
27	1	H22487	Bracket	Only with hand spray
28	1		Hose	Only with spraybar
29	2	HH12265	Hose Clamp 13-20	Only with spraybar
30	1	H22602	Camlock 1/2" Hose ø13	Only with spraybar
31	1	H23025	Hose fitting T 3/4"	
32	2	H23033	90 deg hose fitting G3/4"-16	
33	2	H22094	Spray nozzle	
34	1	H22382	Hose connector Y-part	
35	1		Hose	
36	1		Hose	
37	1		Hose	
38	2	HH15805	Ball valve 1/2" 3-way	
39	2	H23027	Threaded fitting 1/2"	
40	2	H23023	Straight hose fitting G 1/2-13	
41	1		Hose	
42	1		Hose	
43	1	H25839	Pre-wet nozzle	

NOTE! Current production model, serial number from → XXXXX.20250319.018094

LIQUID SYSTEM COMPONENTS (OPTIONAL)



NOTE! Current production model, serial number from → XXXXX.20250319.018094

Item	Qty	Part no.	Description	Note
1	1	H25338	Pump Assembly 12V	See page 22 for exploded view
	1	H30321	Pump Assembly 24V	
2	1	H22540	Hose reel	See page 22
3	1	H22487	Bracket	
4	2	HH11857	Threaded brass fitting 1/2"	
5	1	H22536	Bracket	
6	1	H22535	Plate	
7	1	H40386	Pre-wet backplate	
8	1	H28863	Filter assembly	
ns	1	H22919	Bracket	
ns	2	HF19348	Bolt M8x14 DIN933 A4	
8.3	1	H28501	Filter unit with T5 fork	
8.4	1	H41989	3-way tee fitting, female T5	
8.5	2	H41298	Hose fitting 90deg.AF5M-13mm	
8.6	1	H28659	90° hose fitting T5 →13mm	
9	1	H46269	Valve assembly 550-1100 spreaders	
9.1	1	H46271	Fastening plate	
9.2	3	H41294	Valve NRG-AF 12V	
ns	1	H41301	End Cap AF5	
9.3	1	H41296	Hose Fitting 90deg. AF3M-13mm	
ns	1	H41324	Valve bracket plate	
9.5	1	H41295	Hose Fitting 90deg. AF3M-10mm	
9.6	1	H41300	Hose Fitting straight ,AF3M-20mm	
9.7	1	H41299	Hose Fitting 90deg. AF5M-16mm	
9.8	1	H41507	O-Ring, AF5-EPDM	
9.9	3	H41506	O-Ring, AF3-EPDM	
ns	1	H28504	T5/AF5 fork clip	
ns	6	H41385	Plate	
ns	1	H45025	Right valve bracket 550	
ns	1	H45027	Right valve plate 550	
ns	1	H45024	Left valve bracket 550	
ns	1	H45026	Left valve plate 550	
10	2	H22954	Straight hose fitting ,male thread G1/2"-13mm	
11	2	HH15805	Ball valve 1/2" 3-way	
12	1	H25839	Pre-wet nozzle	
13	1	H23552	Filter	

Liquid hoses:

HH16090	1 pc (1 m)	Hose 40mm
HH10438	1 pc (1 m)	Hose 32 mm
HH10435	1 pc (1 m)	Hose 16 mm
HH10434	1 pc (1 m)	Hose 13 mm

RETROFIT KITS (Non-current production model → Current production model):

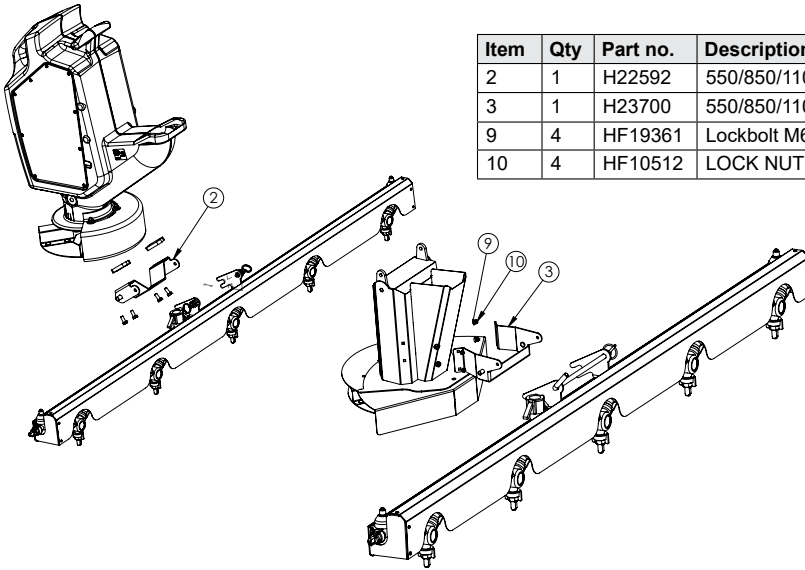
H46793 – PRE-WET valve retrofit kit for 550-1100

H46794 – PRE-WET + SPRAY BAR valve retrofit kit for 550-1100

H47067 – PRE-WET + HOSE REEL retrofit kit for 550-1100

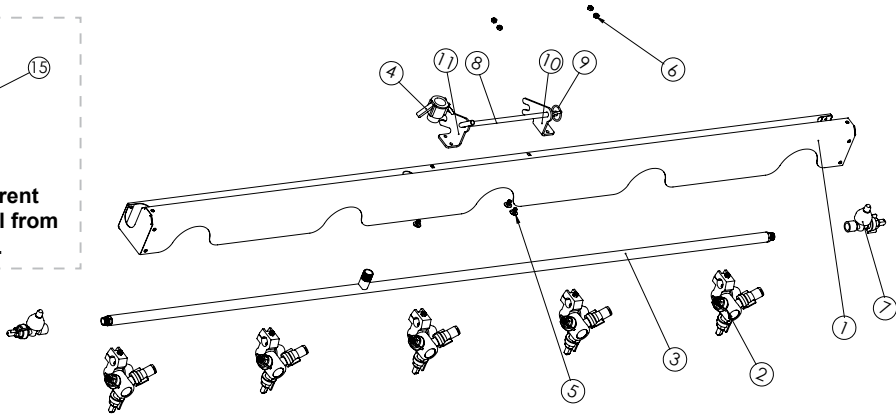
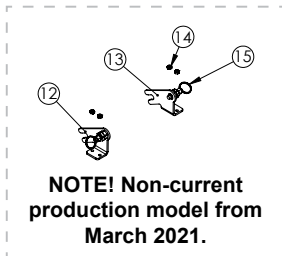
H46795 – PRE-WET + SPRAY BAR + HOSE REEL retrofit kit for 550-1100

SPRAY BAR ATTACHMENT



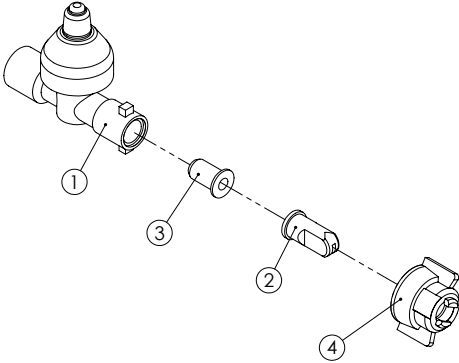
Item	Qty	Part no.	Description
2	1	H22592	550/850/1100 Standard (plastic) chute bracket kit
3	1	H23700	550/850/1100 Plus (steel) chute bracket
9	4	HF19361	Lockbolt M6x16
10	4	HF10512	LOCK NUT M6 A4 DIN985

SPRAY BAR ASSEMBLY- H22583



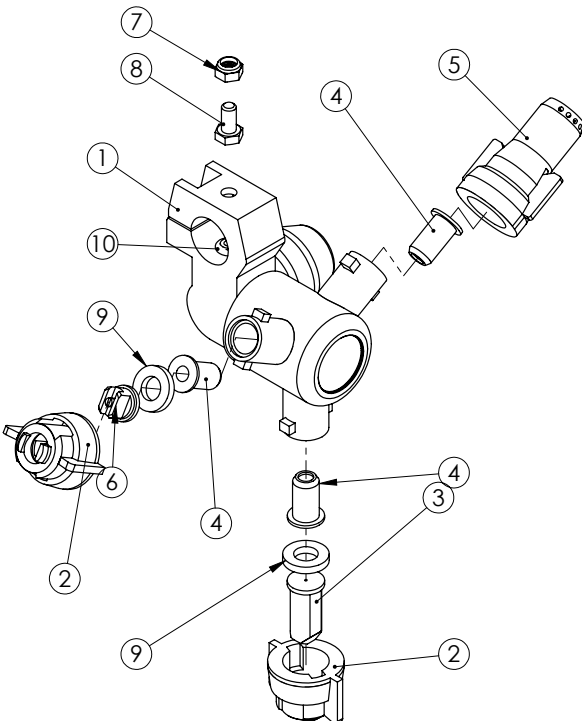
Item	Qty	Part no.	Description	Note
1	1	H23793	Spraybar cover	
2	5	H23795	3-way spray assembly	
3	1	H22588	Boom Pipe	
4	1	H22601	Camlock 1/2" female	
5	4	HF19361	Lockbolt M6x16	
6	4	HF10512	Lock nut M6 A4 DIN985	
7	2	H23794	Side spray assembly with stopcock	
8	1	H40225	Locking pin	
9	1	H28829	Linch pin SS 4,5mm	
10	1	H22599	Spraybar attachment plate right	
11	1	H22597	Spraybar attachment plate left	
12	1	H22598	Spraybar attachment plate right	Non-current production model
13	1	H22596	Spraybar attachment plate left	Non-current production model
14	2	H22644	Index plunger	Non-current production model
15	4	HF10512	Lock nut M6 A4 DIN985	Non-current production model

SIDE SPRAY ASSEMBLY - H23794



Item	Qty	Part no.	Description
1	1	H22611	Nozzle holder
2	1	H22609	Nozzle boom ext. type
3	1	H22612	Nozzle filter
4	1	H22613	Nozzle cap

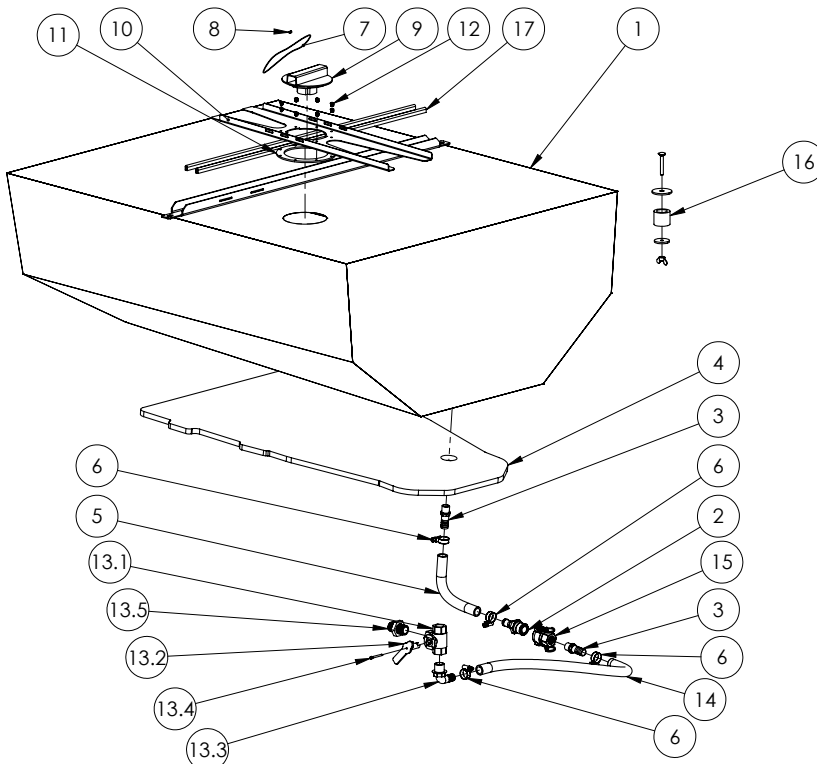
3-WAY SPRAY ASSEMBLY - H23795



Item	Qty	Part no.	Description
1	1	H22610	Nozzle holder
2	2	H22613	Nozzle cap
3	1	H22606	Nozzle 3 spray
4	3	H22612	Nozzle filter
5	1	H22607	Nozzle 7 spray
6	1	H22608	Nozzle Flat spray
7	1	HF10512	LOCK NUT M6 A4 DIN985
8	1	HF10730	Hex Bolt M6x12
9	2	H25859	Nozzle cap sealing
10	1	H42419	O-Ring 6,0 X 2,5 NBR70

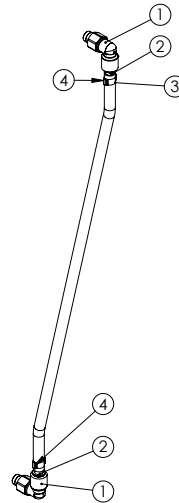
LIQUID BLADDER TANK

Item	Qty	Part no.	Description
1	1	H22890	Liquid bladder tank, model 550
	1	H22891	Liquid bladder tank, model 850
2	1	H22934	Quick coupling - male
3	2	H22652	Hose connector
4	1	H22650	Bottom support plate for bladder, 550
	1	H22651	Bottom support plate for bladder, 850
5	1	H22889	Hose 3/8" 320 mm
6	4	HH12266	Hose Clamp 15-24
7	1	H22892	Wire
8	1	H21900	Cable shoe
9	1	H22785	Filler Cap
10	1	H22826	Plate
11	1	H22787	Plate
12	8	HF19338	Hexagon socket head bolt
13	1	H23006	Ball valve Assembly
13,1	1	HH16070	3-way valve
13,2	1	H23000	Handle
13,3	1	H22951	90 deg hose fitting G3/4"-20
13,4	1	HF10423	M4x40 DIN 4762
13,5	1	H23028	Threaded fitting 3/4"
14	1	H22982	Hose 3/8" 950 mm
15	1	H22935	Quick coupling - female
16	1	H22869	Plug assembly
17	2	H23035	Protecting band 900mm, 550
	4	H23035	Protecting band 900mm, 850



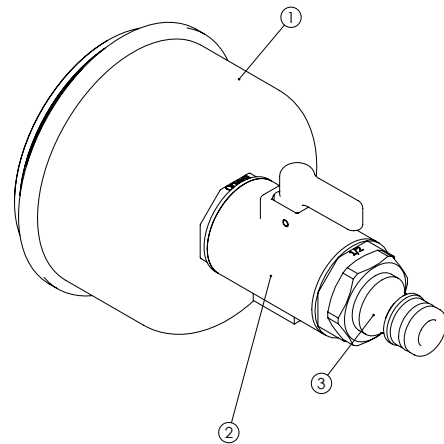
LEVEL INDICATOR ASSEMBLY - H22647

Item	Qty	Part no.	Description
1	2	H22648	Male parallel thread fitting G1/4-10
2	2	H23538	Barbed hose fitting 10/10mm
3	1	H23539	Transparent hose 10mm L=640
4	2	H23540	Ear clip 13 OET



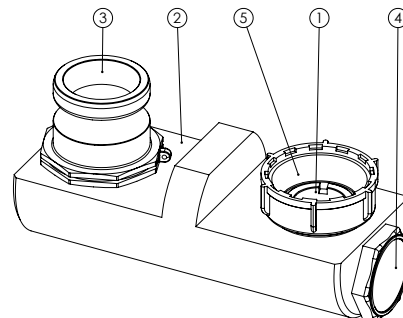
FLUSH ADAPTER KIT - H29423 (OPTIONAL)

Item	Qty	Part no.	Description
1	1	H27783	Flush adapter
2	1	H29424	Micro valve 2/2 1/2"
3	1	H29039	Hozeloc 1/2" adapter, male



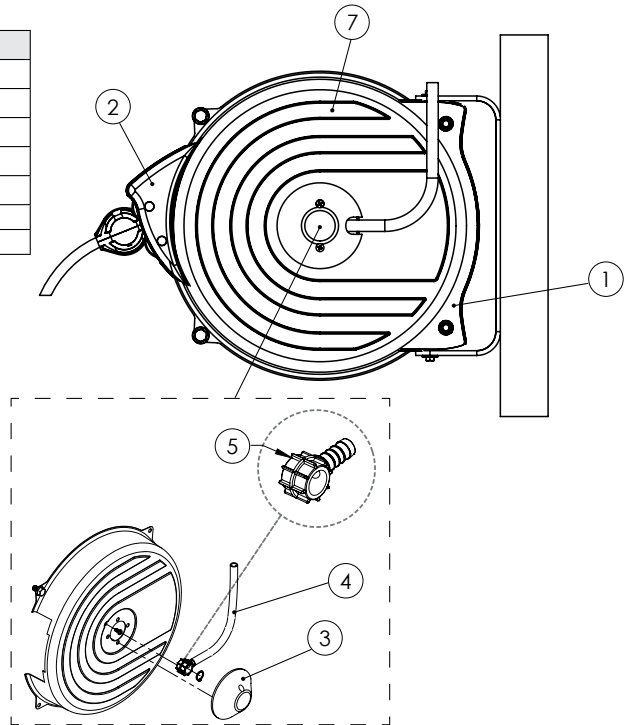
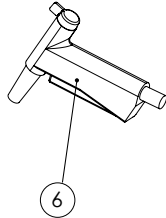
CAM-LOCK ADAPTER - H27725 (OPTIONAL)

Item	Qty	Part no.	Description
1	1	H27736	Plastic stud
2	1	H27570	Tankblock Ø100×240
3	1	H25234	Camlock koppling G2 G2 c
4	1	H27734	Plastic plug G1 1/2
5	1	H27735	Machined tank cap



HOSE REEL

Item	Qty	Part no.	Description
1	1	H40690	Plastic bracket
2	1	H30452	Output case with pulleys
3	1	H30455	Cover for swivel
4	1	H30454	Connecting hose
5	1	H30453	Swivel with hose fitting
6	1	H22534	Spray pistol
7	1	H22540	Hose reel



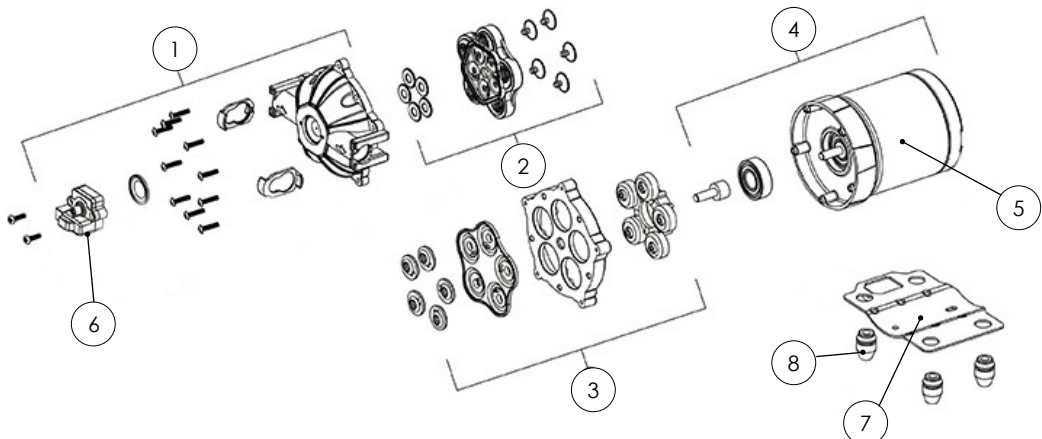
PUMP ASSEMBLY

12V - H25338

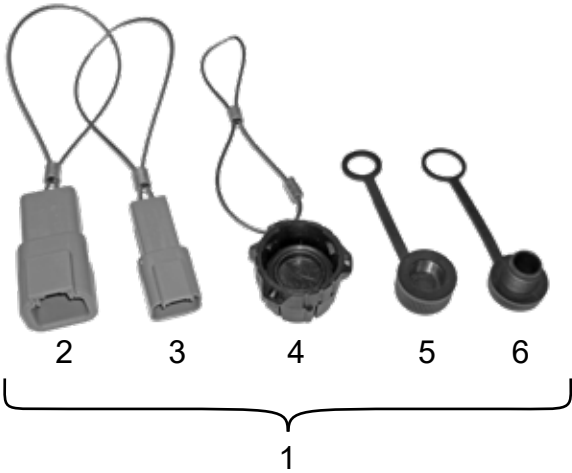
24V - H30321

Item	Qty	Part no.	Description
1	1	H41484	Pump head assembly
2	1	H41485	Valve assembly
3	1	H41486	Diaphragm assembly
4	1	H41487	Motor assembly 12V
	1	H41478	Motor assembly 24V

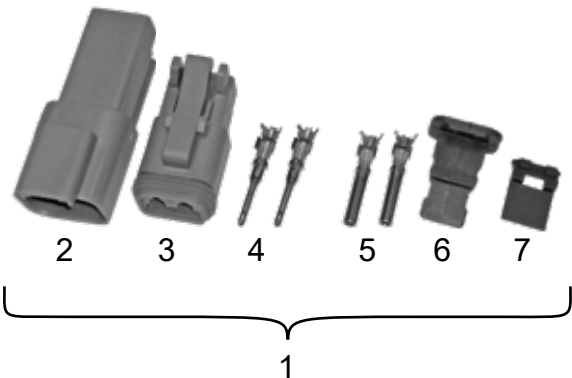
5	1	H41488	Motor 12V
	1	H41479	Motor 24V
6	1	H30416	Pressure sensor assembly
7	1	H25337	Pump bracket
8	4	H23003	Rubber bush



CONNECTORS

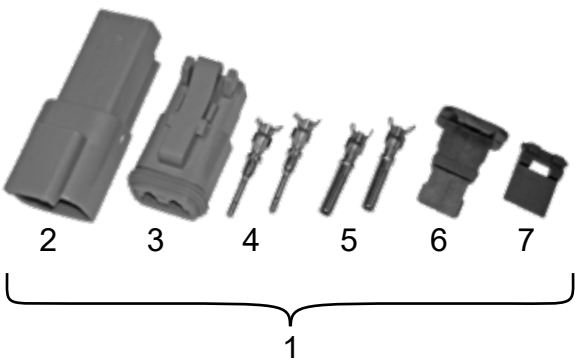


Item	Qty	Part no.	Description
1	1	H23361	Endcap kit
2	1	H22305	Protective cap ATP
3	1	H22304	Protective cap AT
4	1	H23360	Protective sealing cap
5	1	H22168	Sealing Cap female
6	1	H22169	Sealing Cap male



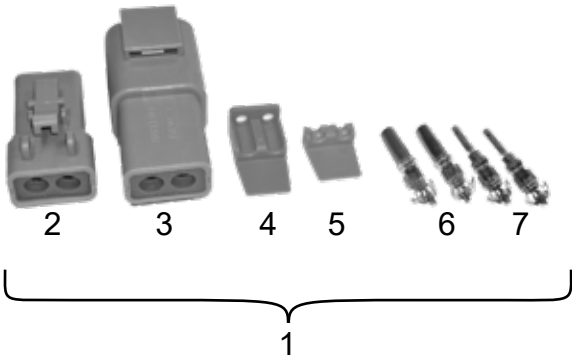
Item	Qty	Part no.	Description
1	1	H23366	DT connector kit 1mm²
2	1	H21879	Receptacle, 2-Way
3	1	H21877	Plug, 2-way
4	2*	H21883	Male Contact - Pin 0,823-1,31mm ²
5	2*	H21881	Female Contact - Socket 0,823-1,31mm ²
6	1	H21878	Wedgelock Plug, 2-Way
7	1	H21880	Wedgelock Recep., 2-Way

*minimum order quantity: 20 pcs



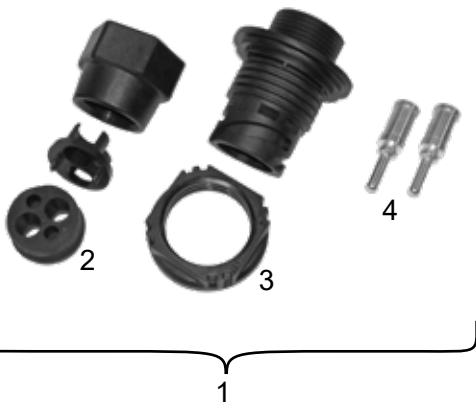
Item	Qty	Part no.	Description
1	1	H23367	DT connector kit 2,5mm²
2	1	H21879	Receptacle, 2-Way
3	1	H21877	Plug, 2-way
4	2*	H21882	Male Contact - Pin 1,31-2,08mm ²
5	2*	H21876	Female Contact - Socket 1,31-2,08mm ²
6	1	H21878	Wedgelock Plug, 2-Way
7	1	H21880	Wedgelock Recep., 2-Way

*minimum order quantity: 20 pcs



Item	Qty	Part no.	Description
1	1	H23368	DTP Connector kit
2	1	H21888	Plug, 2-way
3	1	H21886	Receptacle, 2-Way
4	1	H21889	Wedgelock Plug, 2-Way
5	1	H21887	Wedgelock Recep., 2-Way
6	2*	H21884	Female Contact - Socket 2,08-3,31mm ²
7	2*	H21885	Male Contact - Pin 2,08-3,31mm ²

*minimum order quantity: 20 pcs



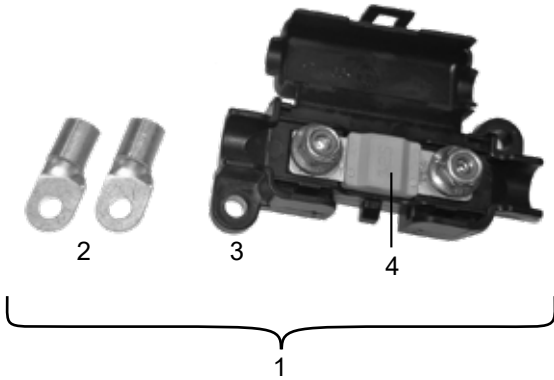
Item	Qty	Part no.	Description
1	1	H23364	Battery cable connector kit - Vehicle side
2	1	H21923	Sealing set
3	1	H21847	Connector housing
4	2*	H21850	Crimp pin

*minimum order quantity: 20 pcs

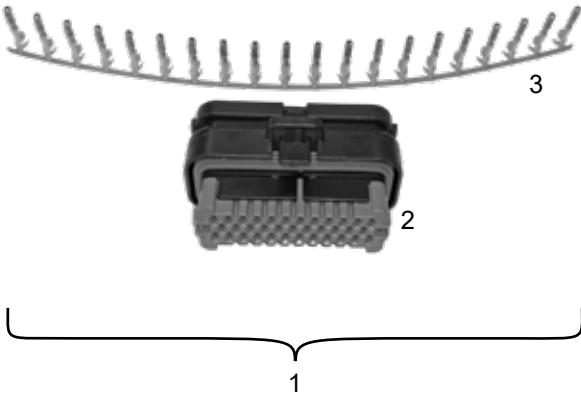


Item	Qty	Part no.	Description
1	1	H23365	Battery cable connector kit - Spreader side
2	1	H21853	Connector housing
3	1	H21923	Sealing set
4	2*	H21851	Crimp pin

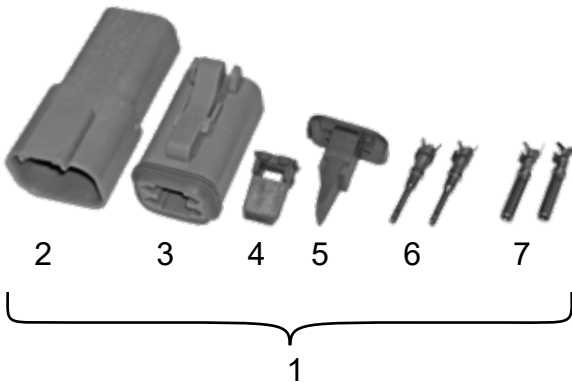
*minimum order quantity: 20 pcs



Item	Qty	Part no.	Description
1	1	H23371	Fuse holder accessories
2	2	H21933	Connector 5-16mm ²
3	1	H21868	Fuse holder midval
4	1	H21869	Fuse Midval 80A



Item	Qty	Part no.	Description
1	1	H23369	IO module connector kit
2	1	H21955	Connector Housing AMPSEAL 35 pin
3	20	H21956	Female Contact - Socket



Item	Qty	Part no.	Description
1	1	H23370	Rear lights connector kit
2	1	H21910	Receptacle, 4-Way
3	1	H21908	Plug, 4-Way
4	1	H21911	Wedgelock Recep., 4-Way
5	1	H21909	Wedgelock Plug, 4-Way
6	2*	H21883	Male Contact - Pin 0,823-1,31mm ²
7	2*	H21881	Female Contact - Socket 0,823-1,31mm ²

*minimum order quantity: 20 pcs



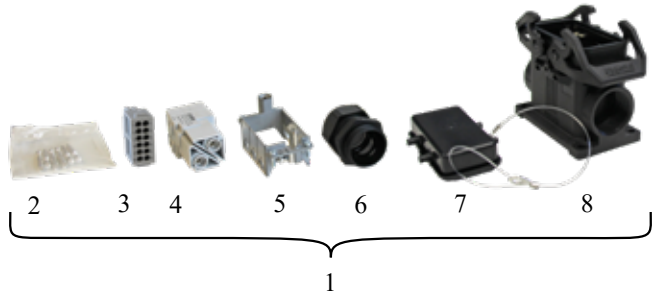
Item	Qty	Part no.	Description
1	1	H23529	Dielectric grease, 50g



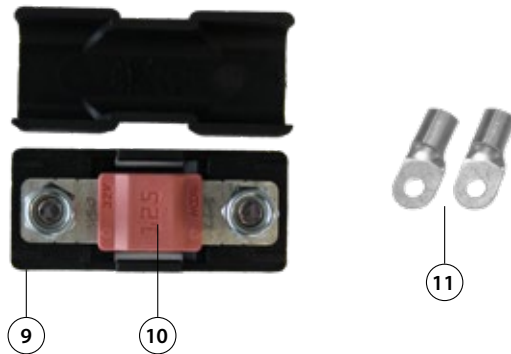
Item	Qty	Part no.	Description
1	2	H21935	Connector for auger, 8-4 mm ²

HEAVY DUTY CONNECTORS

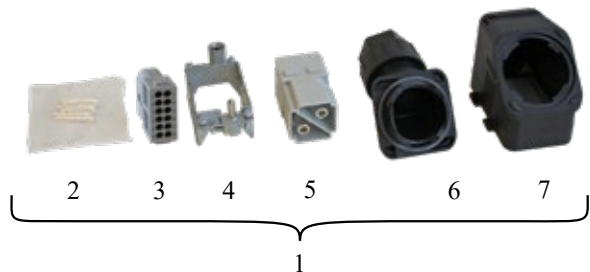
Item	Qty	Part no.	Description
1	1	H30151	Vehicle side harness connector
2	1	H30152	Terminal kit (8 pcs 0,5mm ²)
3	1	H30145	Insert module
4	1	H25796	Insert module
5	1	H25763	Carrier frame
6	1	H25764	Cable gland
7	1	H25803	Cover
8	1	H25765	Housing



9	1	H26129	Fuse holder midval small
10	1	H22885	Fuse midval 125 A, pink
11	2	H24273	Connector 5mm 25 mm ²



Item	Qty	Part no.	Description
1	1	H30150	Spreader side harness connector
2	1	H30153	Terminal kit (8 pcs 1,0 mm ²)
3	1	H26625	Insert module
4	1	H25759	Carrier frame
5	1	H25800	Insert module
6	1	H25760	Cable gland
7	1	H25828	Housing



Item	Qty	Part no.	Description
1	1	H30313	Spreader side harness connector cover





Oy Hilltip Ab
Pukkisaarentie 6
68600 Pietarsaari
Finland

www.hilltip.com
info@hilltip.com

Construction, specifications and other details are subject to change without notice.